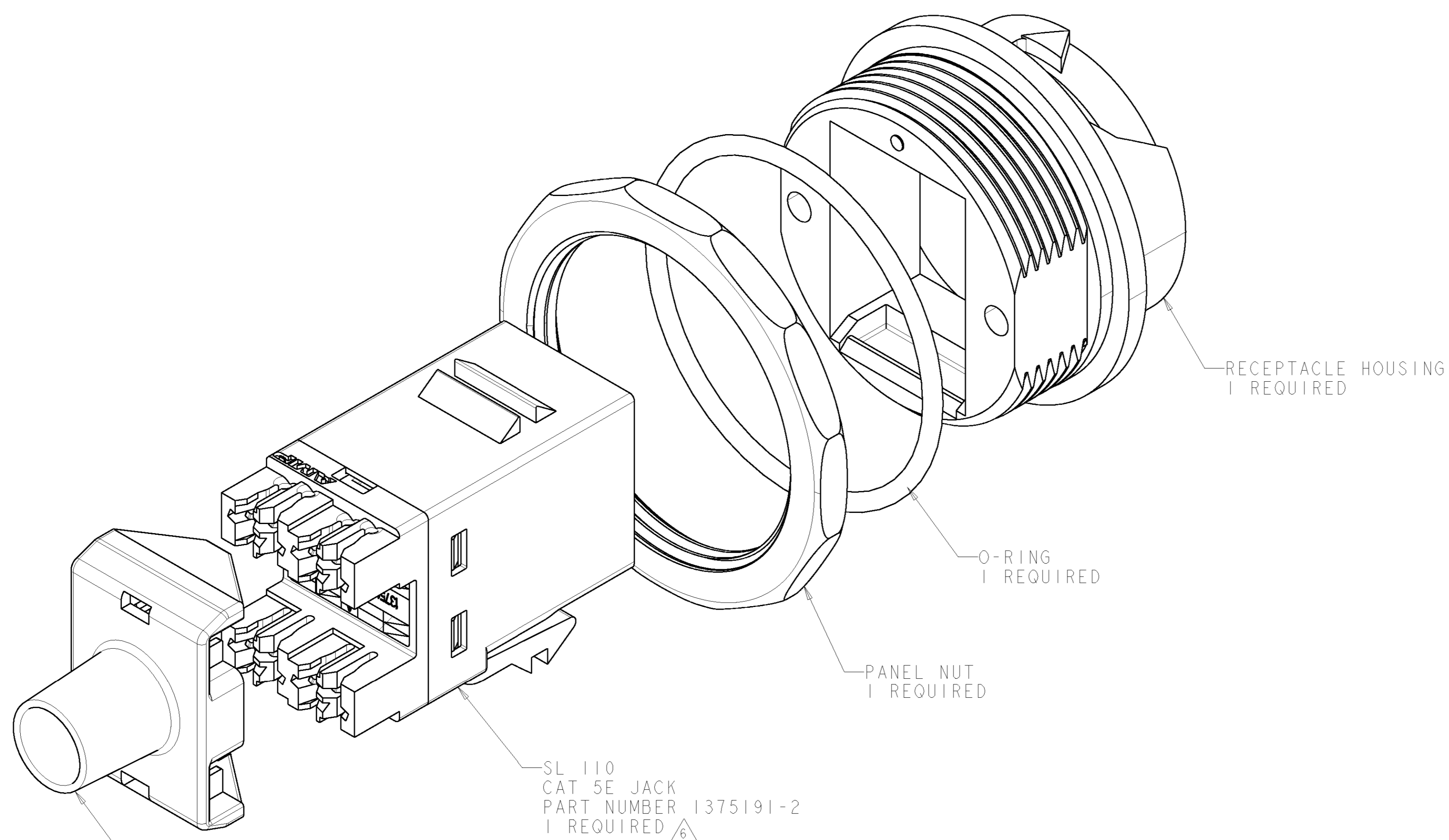
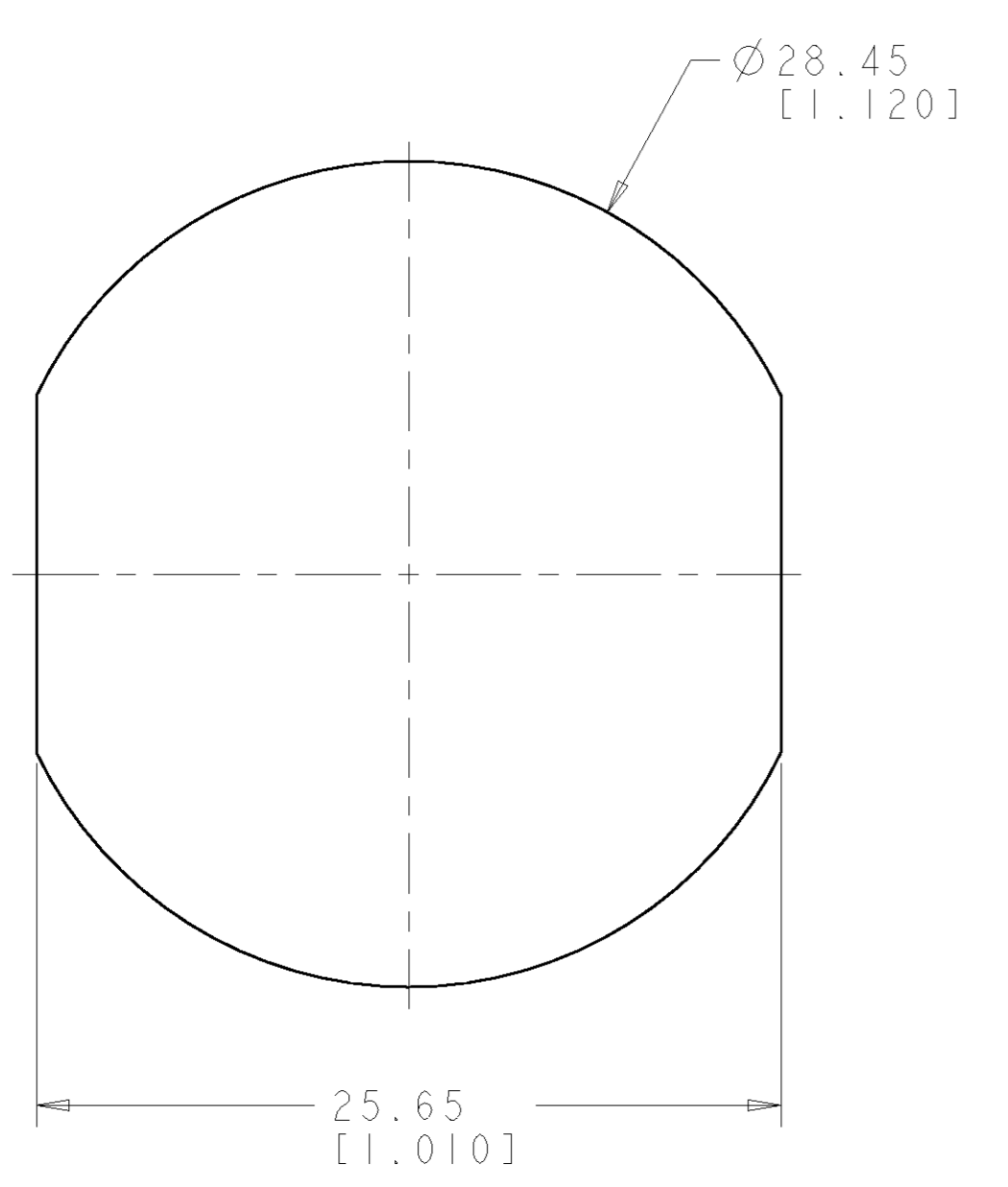


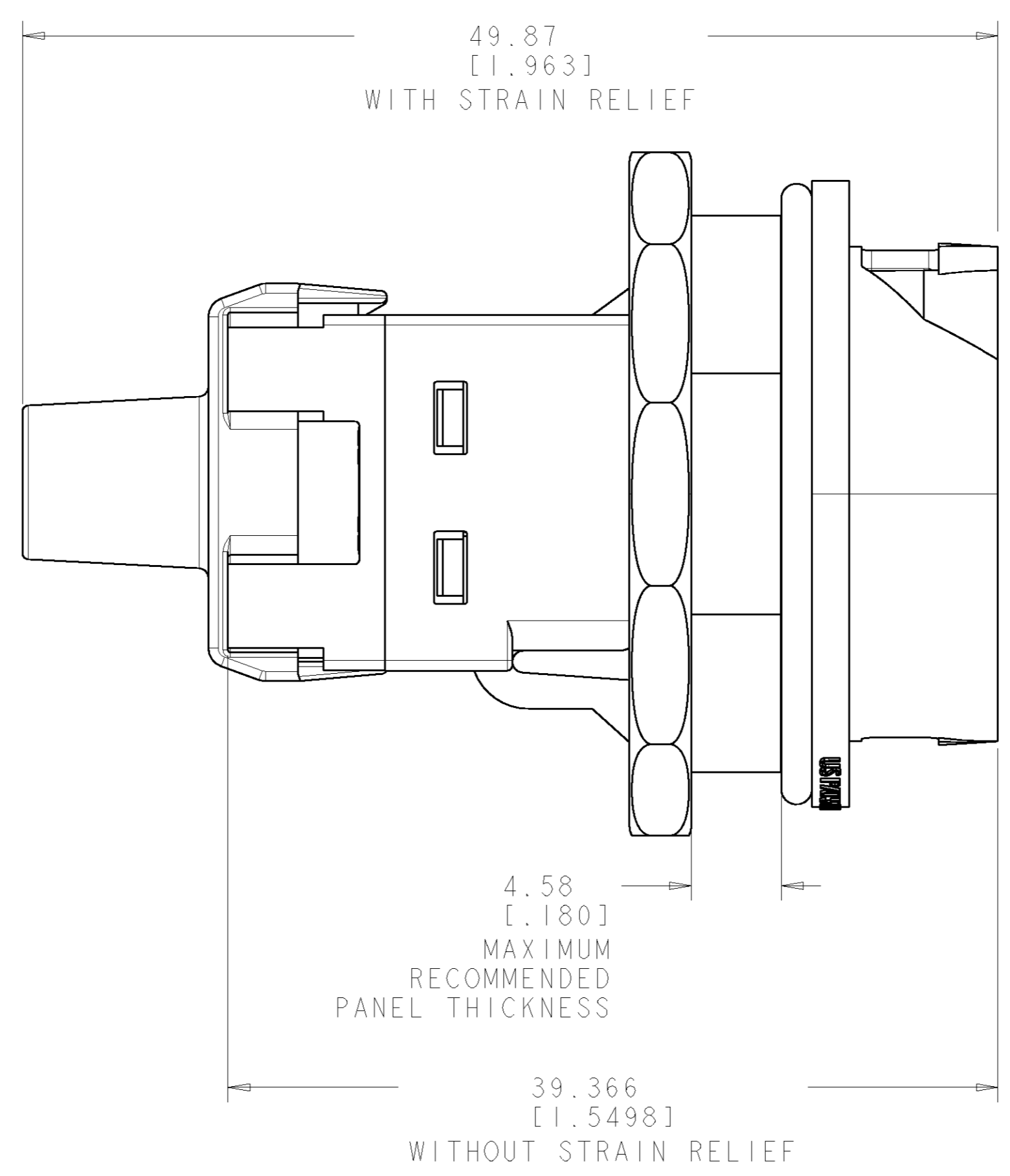
LOC	DIST	REVISIONS					
HM	00	P	LTR	DESCRIPTION	DATE	DWN	APVD
		A		RLSD - NSD03-078	21NOV03	LH	CD
		B		REV: EC 0B40-0023-04	17FEB04	GG	MD
		C		REV: EC 0B40-0092-04	12APR04	GG	MD
		D		REV - ECN 0B40-0132-04	24MAY2004	LS	MD



- 1. MATERIAL: JACK HOUSING - POLYPHENYLENE OXIDE, 94V-0 RATED.
 ARRAY TRAY - PBT POLYESTER.
 110 BLOCK AND STRAIN RELIEF - POLYCARBONATE.
 JACK CONTACTS - BERYLLIUM COPPER, PLATED WITH 1.27µm [0.000050] MINIMUM THICK GOLD IN LOCALIZED AREA AND 3.81µm [0.000150] MINIMUM THICK TIN-LEAD IN SOLDER AREA OVER 1.27µm [0.000050] MINIMUM THICK NICKEL UNDERPLATE.
 IDC TERMINALS - PHOSPHOROUS BRONZE, PLATED WITH 3.81µm [0.00015] MINIMUM THICK BRIGHT TIN-LEAD OVER 1.27µm [0.00005] MINIMUM THICK NICKEL UNDERPLATE.
 RECEPTACLE HOUSING - PBT, 94V-0 RATED.
 O-RING SEALS - BUNA.
 PANEL NUT - NICKEL PLATED BRASS.
- 2. SL 110 JACK WILL TERMINATE 22-24 AWG SOLID CONDUCTORS AND 24 AWG STRANDED CONDUCTORS, 1.14 [0.045] MAXIMUM INSULATION DIAMETER.
- 3. SUGGESTED PANEL CUTOUT OPENING.
- 4. PACKAGED ONE MODULAR JACK, ONE STRAIN RELIEF, ONE O-RING, ONE ETHERSEAL HOUSING, AND ONE PANEL NUT, PER POLYBAG. KIT SHIPPED NOT ASSEMBLED.
- 5. ASSEMBLY SHIPPED WITH STRAIN RELIEF NOT LATCHED AT REAR OF JACK HOUSING ASSEMBLY.
- 6. REFER TO INSTRUCTION SHEET 408-8417 FOR JACK TERMINATION ASSEMBLY INSTRUCTIONS AND 408-8875 FOR ETHERSEAL RECEPTACLE KIT ASSEMBLY INSTRUCTIONS.



RECOMMENDED PANEL CUTOUT
 SCALE 4:1



DIMENSIONS:		TOLERANCES UNLESS OTHERWISE SPECIFIED:		DWN		19NOV03		BLACK		1479563-2	
MM [INCHES]		0 PLC ±		L HALL		21NOV03		COLOR		PART NUMBER	
1 PLC ±		1 PLC ±		C DOOLEY		21NOV03		TYCO		Tyco Electronics	
2 PLC ±		2 PLC ±		C DOOLEY		21NOV03		Electronics		Harrisburg, PA 17105-3608	
3 PLC ±		3 PLC ±		APVD		C DOOLEY		NAME		KIT, ETHERSEAL, UTP, CAT 5E	
4 PLC ±		4 PLC ±		PRODUCT SPEC		C DOOLEY		APPLICATION SPEC		SL 110 JACK, FRONT MOUNT, BLACK	
ANGLES		FINISH		APPLY		C DOOLEY		SIZE		CAGE CODE DRAWING NO	
MATERIAL		FINISH		WEIGHT		C DOOLEY		SCALE		RESTRICTED TO	
FINISH		WEIGHT		CUSTOMER DRAWING		C DOOLEY		4:1		SHEET 1 OF 1	
FINISH		WEIGHT		CUSTOMER DRAWING		C DOOLEY		4:1		REV D	