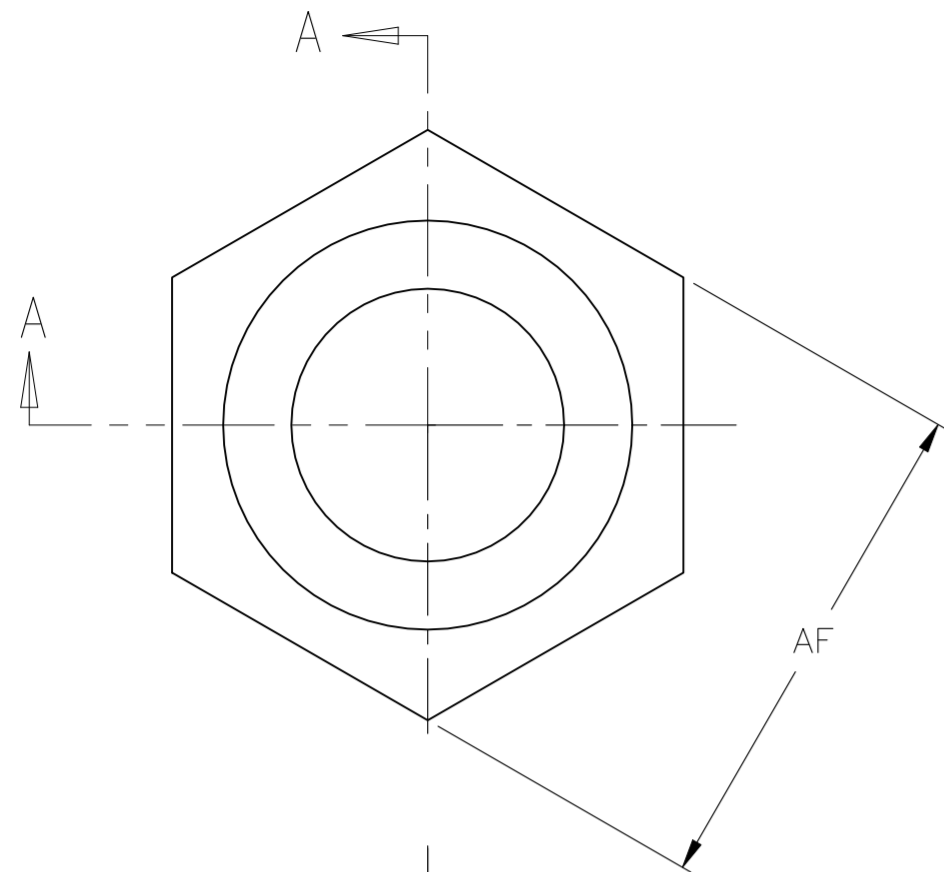
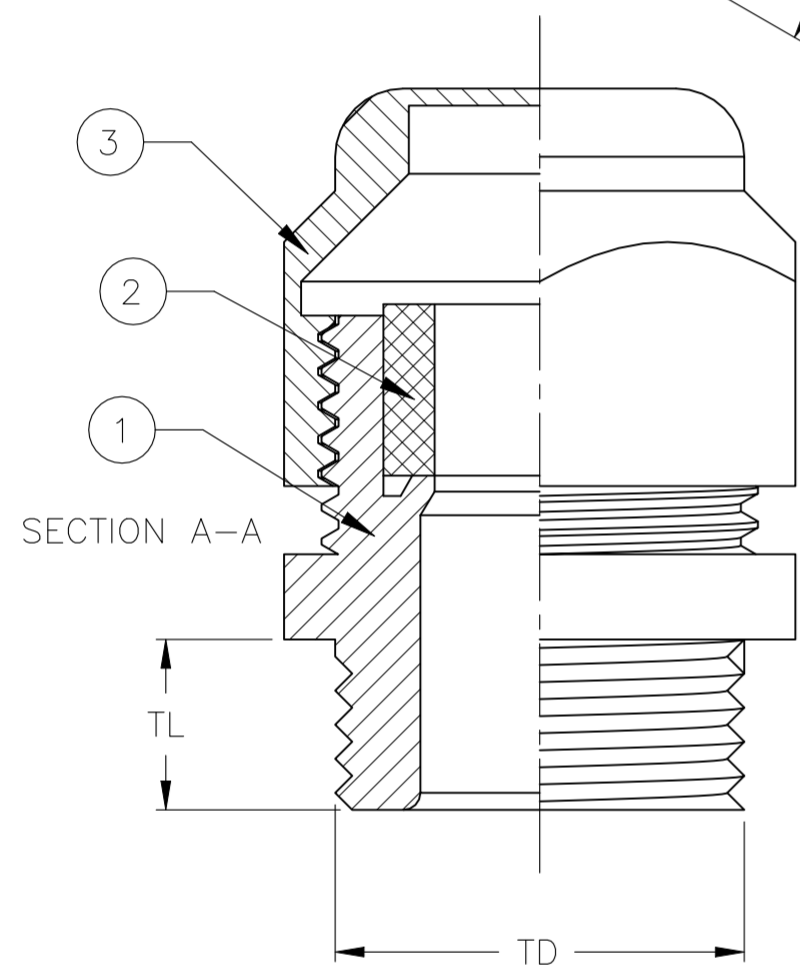
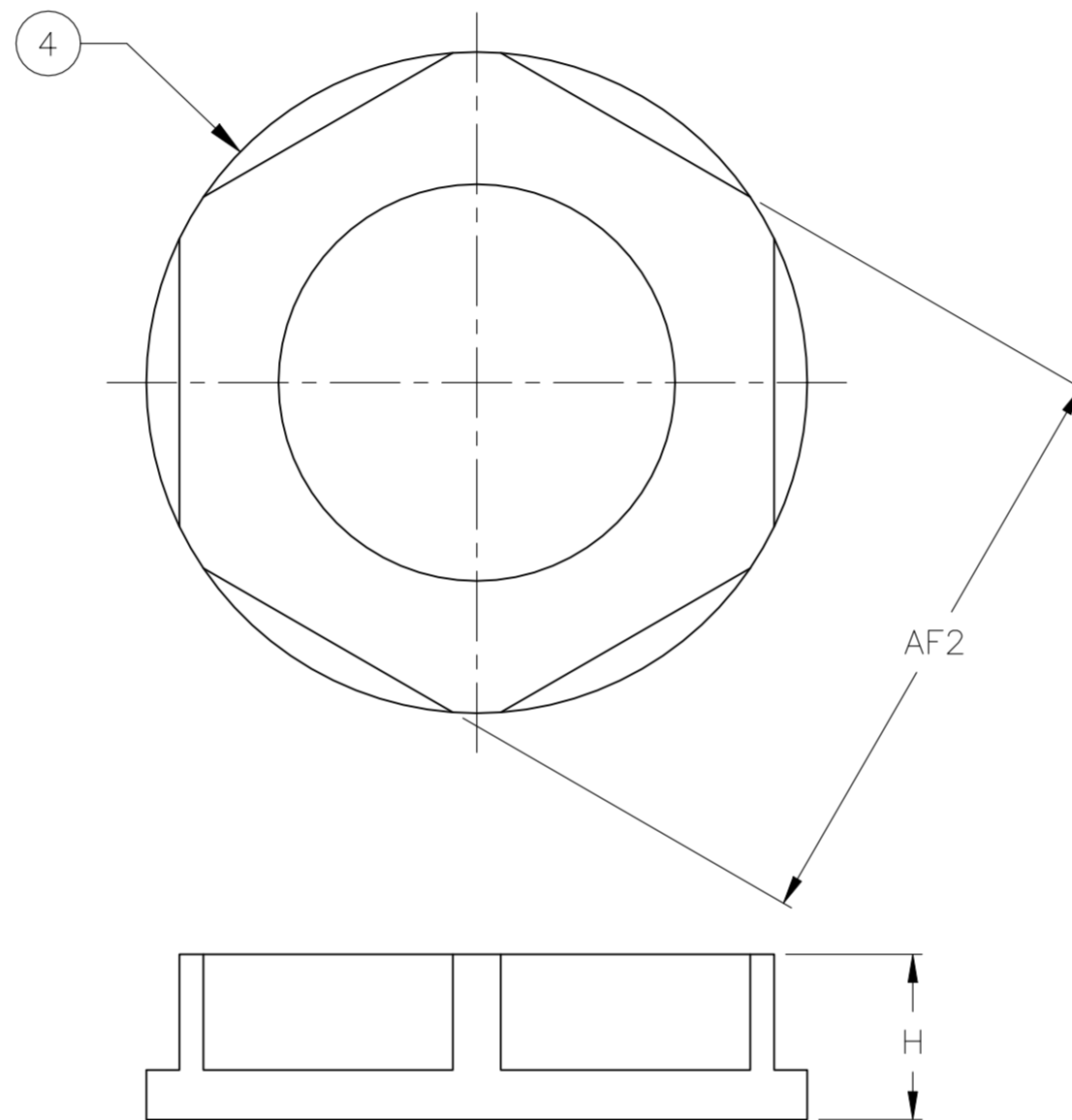


P	LTR	DESCRIPTION	DATE	DWN	APVD
D1		REVISED PER ECR-24-208737	17MAY2024	SA	DSC



LOCKNUT
(SUPPLIED AS
PART OF KIT)

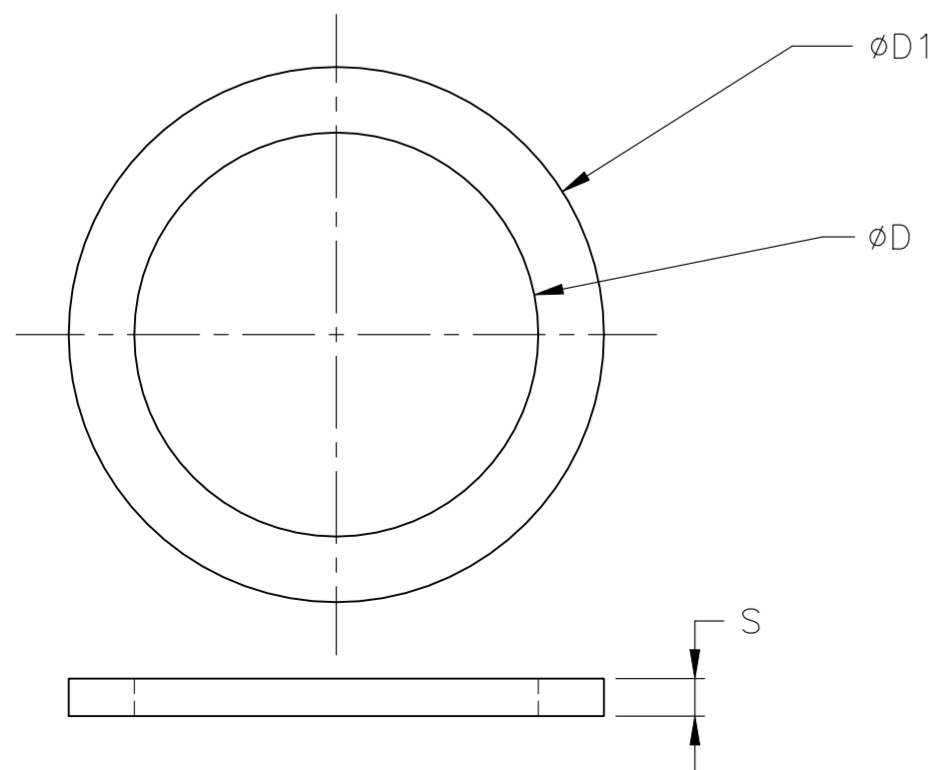


M EN 60423

Part No	Gland & Cap Assembly			Locknut		Recommended Washer		
	Dim TL	Dim TD	Dim AF	Dim H	Dim AF2	D	D1	S
1478769-1	8.0±0.2	12	15 ^{+0.00} _{-0.27}	5.0±0.1	18 ^{+0.00} _{-0.27}	10.3 ^{+0.2} _{-0.3}	15.5±0.3	1.5±0.2
1478769-2	10.0±0.2	16	22 ^{+0.00} _{-0.33}	5.0±0.1	22 ^{+0.00} _{-0.33}	14.3 ^{+0.2} _{-0.3}	21.5±0.3	1.5±0.2
1478769-3	10.0±0.2	20	24 ^{+0.00} _{-0.33}	6.0±0.1	26 ^{+0.00} _{-0.33}	18.5 ^{+0.2} _{-0.3}	26.0±0.3	1.5±0.2
1478769-4	10.0±0.2	20	27 ^{+0.00} _{-0.33}	6.0±0.1	26 ^{+0.00} _{-0.33}	18.5 ^{+0.2} _{-0.3}	26.0±0.3	1.5±0.2
1478769-5	10.0±0.2	25	33 ^{+0.00} _{-0.39}	6.0±0.1	32 ^{+0.00} _{-0.39}	23.3 ^{+0.2} _{-0.3}	31.5±0.3	1.5±0.2
1478769-6	15.0±0.2	32	42 ^{+0.00} _{-0.62}	7.0±0.2	41 ^{+0.00} _{-0.62}	30.5 ^{+0.2} _{-0.3}	38.5±0.3	1.5±0.2

30	5	18.0 - 25.0	32mm Gland + Locknut	Black	1478769-6
50	5	13.0 - 18.0	25mm Gland + Locknut	Black	1478769-5
100	5	10.0 - 14.0	20mm Gland + Locknut	Black	1478769-4
100	5	6.0 - 12.0	20mm Gland + Locknut	Black	1478769-3
100	5	5.0 - 10.0	16mm Gland + Locknut	Black	1478769-2
100	5	3.0 - 6.5	12mm Gland + Locknut	Black	1478769-1
Inner Carton Qty.	Bag Qty.	Cable Range (mm)	Description.	Colour.	Kit Part No.

RECOMMENDED
WASHER DIMENSIONS



- FOR TECHNICAL DATA REFER TO YOUR LOCAL TE CONNECTIVITY SALES OFFICE.
- ALL DIMENSIONS ARE NOMINAL FOR REFERENCE ONLY UNLESS OTHERWISE STATED.
- NOTE DELETED
- 1 KIT COMPRISES OF 1 GLAND & CAP (AS SHOWN) INCLUDING NEOPRENE SEAL PLUS 1 LOCK NUT (AS SHOWN SEPARATELY)
- PLEASE NOTE WASHER IS NOT INCLUDED IN KIT

THIS DRAWING IS A CONTROLLED DOCUMENT.		DWN J. BRIGHT 12JUL2011	<p>TE Connectivity</p> <p>METRIC NYLON ANTI-VIBRATION GLAND + LOCK NUT KIT (BLACK)</p>																	
DIMENSIONS: mm		CHK M. GRFFNER 12JUL2011																		
TOLERANCES UNLESS OTHERWISE SPECIFIED:		APVD D. PENNINGTON 12JUL2011																		
<table border="0"> <tr><td>0 PLC</td><td>±</td><td>-</td></tr> <tr><td>1 PLC</td><td>±</td><td>-</td></tr> <tr><td>2 PLC</td><td>±</td><td>-</td></tr> <tr><td>3 PLC</td><td>±</td><td>-</td></tr> <tr><td>4 PLC</td><td>±</td><td>-</td></tr> <tr><td>ANGLES</td><td>±</td><td>-</td></tr> </table>		0 PLC			±	-	1 PLC	±	-	2 PLC	±	-	3 PLC	±	-	4 PLC	±	-	ANGLES	±
0 PLC	±	-																		
1 PLC	±	-																		
2 PLC	±	-																		
3 PLC	±	-																		
4 PLC	±	-																		
ANGLES	±	-																		
MATERIAL	FINISH	WEIGHT	SIZE A2	CAGE CODE 00779	DRAWING NO. C=1478769	RESTRICTED TO														
CUSTOMER DRAWING			SCALE 4:1	SHEET 1 of 1	REV D1															