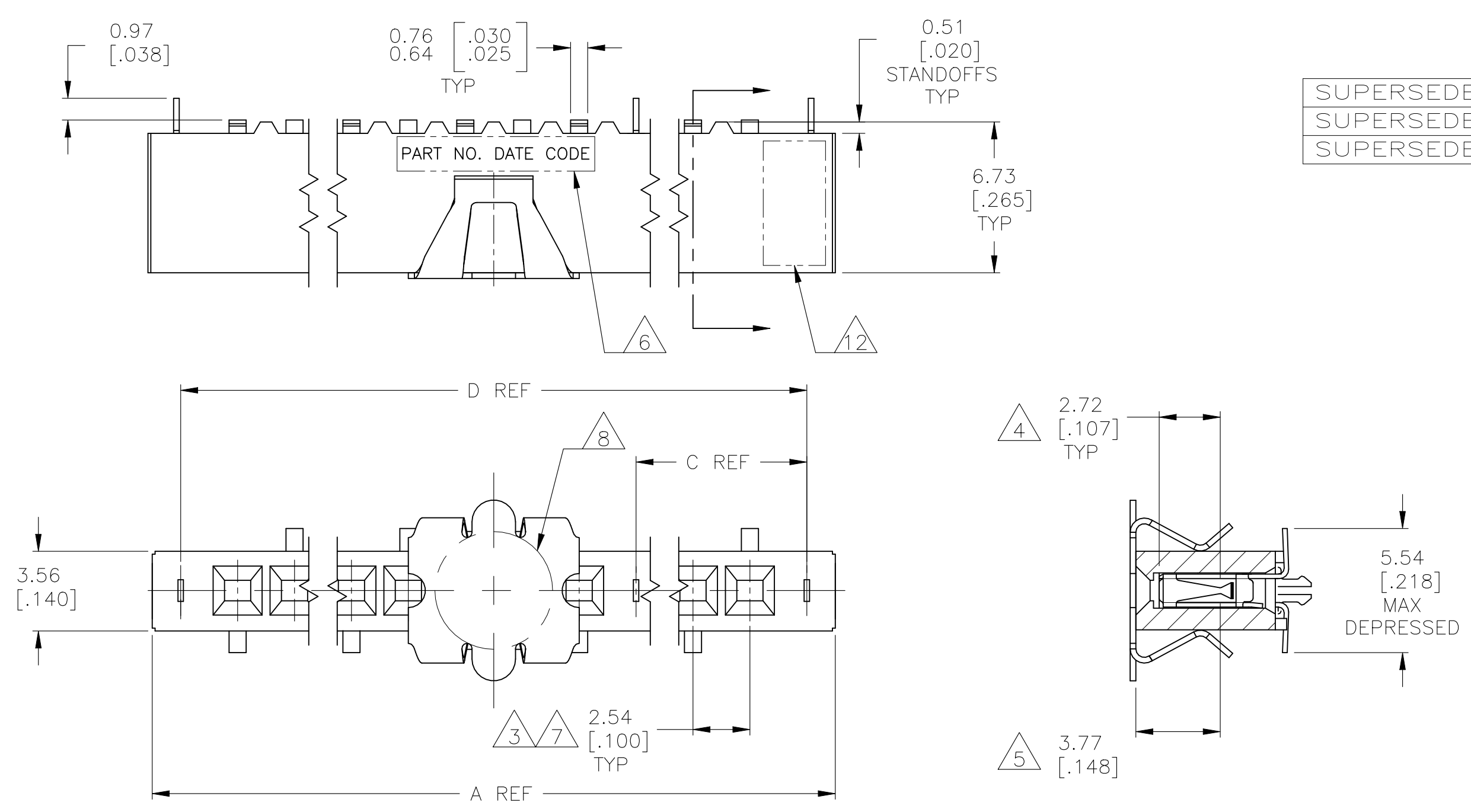


REVISIONS					
REV	DATE	DESCRIPTION	BY	CHK	APPV
J	02DEC2021	RESIN SUPPLIER CHANGE FOR THE HOUSING	SCB	KJK	

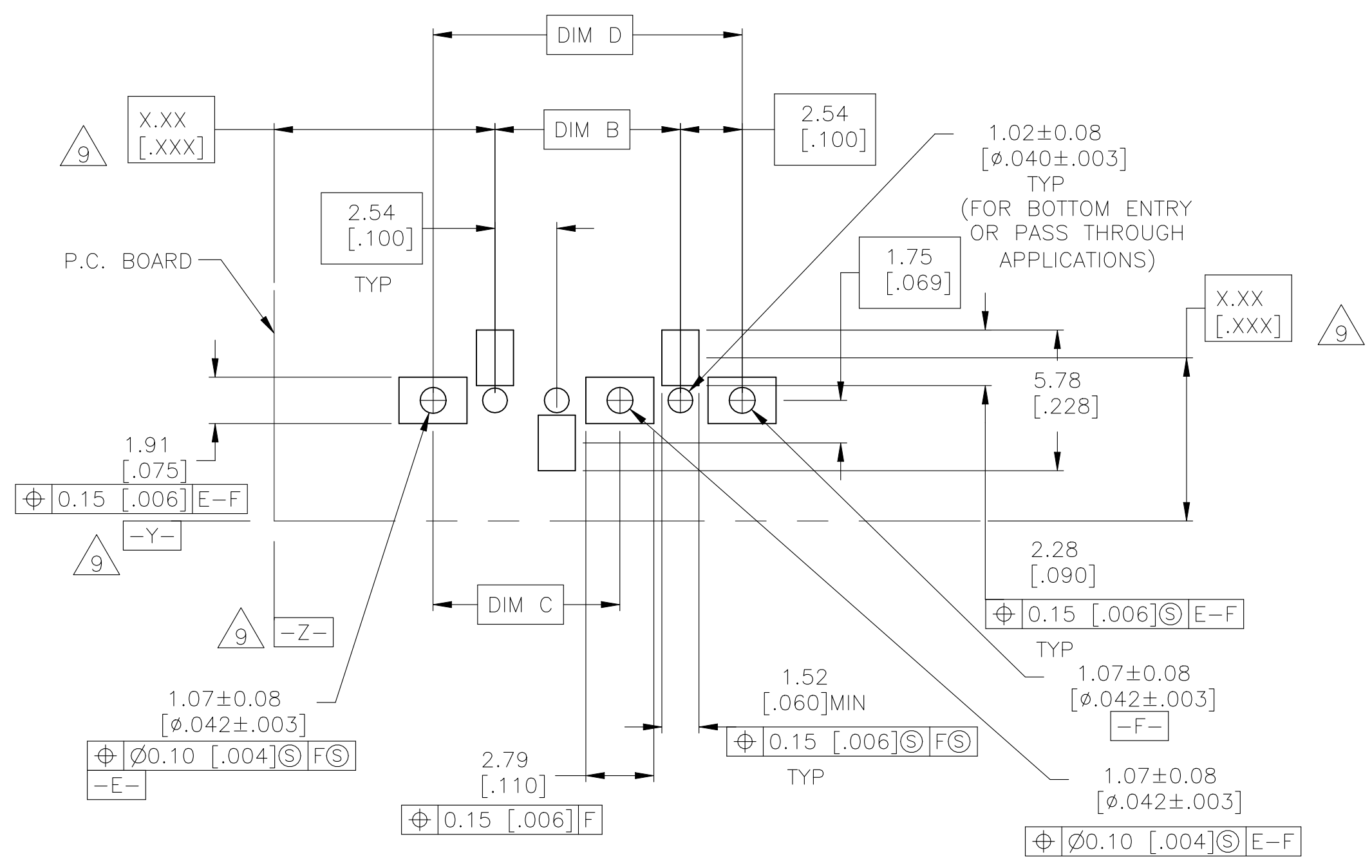


**OBSELETE**  
SUPERSEDED BY 8-147742-8  
SUPERSEDED BY 8-147742-7  
SUPERSEDED BY 8-147742-6

FINISH	EIA TAPE WIDTH	D	C	B	A	NO OF POSN	PART NUMBER
N/A	24mm	7.62 [.300]	-	2.54 [.100]	10.16 [.400]	2	8-147731-9
	120mm	106.68 [4.200]	53.34 [2.100]	104.14 [4.100]	109.22 [4.300]	40	<del>8-147731-8</del>
		104.14 [4.100]	50.8 [2.000]	101.6 [4.000]	106.68 [4.200]	39	<del>8-147731-7</del>
		101.6 [4.000]	50.8 [2.000]	99.06 [3.900]	104.14 [4.100]	38	<del>8-147731-6</del>
		99.06 [3.900]	48.26 [1.900]	96.52 [3.800]	101.6 [4.000]	37	8-147731-5
		96.52 [3.800]	48.26 [1.900]	93.98 [3.700]	99.06 [3.900]	36	8-147731-4
		93.98 [3.700]	45.72 [1.800]	91.44 [3.600]	96.52 [3.800]	35	8-147731-3
		88.9 [3.500]	-	83.82 [3.300]	91.44 [3.600]	34	8-147731-2
		86.36 [3.400]	-	81.28 [3.200]	88.9 [3.500]	33	8-147731-1
		83.82 [3.300]	-	78.74 [3.100]	86.36 [3.400]	32	8-147731-0
		81.28 [3.200]	-	76.2 [3.000]	83.82 [3.300]	31	7-147731-9
		78.74 [3.100]	-	73.66 [2.900]	81.28 [3.200]	30	7-147731-8
76.2 [3.000]		-	71.12 [2.800]	78.74 [3.100]	29	7-147731-7	
73.66 [2.900]	-	68.58 [2.700]	76.2 [3.000]	28	7-147731-6		
71.12 [2.800]	-	66.04 [2.600]	73.66 [2.900]	27	7-147731-5		
68.58 [2.700]	-	63.5 [2.500]	71.12 [2.800]	26	7-147731-4		
66.04 [2.600]	-	60.96 [2.400]	68.58 [2.700]	25	7-147731-3		
63.5 [2.500]	-	58.42 [2.300]	66.04 [2.600]	24	7-147731-2		
60.96 [2.400]	-	55.88 [2.200]	63.5 [2.500]	23	7-147731-1		
58.42 [2.300]	-	53.34 [2.100]	60.96 [2.400]	22	7-147731-0		
55.88 [2.200]	-	50.8 [2.000]	58.42 [2.300]	21	6-147731-9		
53.34 [2.100]	-	48.26 [1.900]	55.88 [2.200]	20	6-147731-8		
50.8 [2.000]	-	45.72 [1.800]	53.34 [2.100]	19	6-147731-7		
48.26 [1.900]	-	43.18 [1.700]	50.8 [2.000]	18	6-147731-6		
45.72 [1.800]	-	40.64 [1.600]	48.26 [1.900]	17	6-147731-5		
43.18 [1.700]	-	38.1 [1.500]	45.72 [1.800]	16	6-147731-4		
40.64 [1.600]	-	35.56 [1.400]	43.18 [1.700]	15	6-147731-3		
38.1 [1.500]	-	33.02 [1.300]	40.64 [1.600]	14	6-147731-2		
35.56 [1.400]	-	30.48 [1.200]	38.1 [1.500]	13	6-147731-1		
33.02 [1.300]	-	27.94 [1.100]	35.56 [1.400]	12	6-147731-0		
30.48 [1.200]	-	25.4 [1.000]	33.02 [1.300]	11	5-147731-9		
27.94 [1.100]	-	22.86 [0.900]	30.48 [1.200]	10	5-147731-8		
25.4 [1.000]	-	20.32 [0.800]	27.94 [1.100]	9	5-147731-7		
22.86 [0.900]	-	17.78 [0.700]	25.4 [1.000]	8	5-147731-6		
20.32 [0.800]	-	15.24 [0.600]	22.86 [0.900]	7	5-147731-5		
17.78 [0.700]	-	12.7 [0.500]	20.32 [0.800]	6	5-147731-4		
15.24 [0.600]	-	10.16 [0.400]	17.78 [0.700]	5	5-147731-3		
12.7 [0.500]	-	7.62 [0.300]	15.24 [0.600]	4	5-147731-2		
10.16 [0.400]	-	5.08 [0.200]	12.7 [0.500]	3	5-147731-1		

**OBSELETE**  
SUPERSEDED BY 3-147742-8  
SUPERSEDED BY 3-147742-7  
SUPERSEDED BY 3-147742-6

FINISH	EIA TAPE WIDTH	D	C	B	A	NO OF POSN	PART NUMBER
N/A	24mm	7.62 [.300]	-	2.54 [.100]	10.16 [.400]	2	3-147731-9
	120mm	106.68 [4.200]	53.34 [2.100]	104.14 [4.100]	109.22 [4.300]	40	<del>3-147731-8</del>
		104.14 [4.100]	50.8 [2.000]	101.6 [4.000]	106.68 [4.200]	39	<del>3-147731-7</del>
		101.6 [4.000]	50.8 [2.000]	99.06 [3.900]	104.14 [4.100]	38	<del>3-147731-6</del>
		99.06 [3.900]	48.26 [1.900]	96.52 [3.800]	101.6 [4.000]	37	3-147731-5
		96.52 [3.800]	48.26 [1.900]	93.98 [3.700]	99.06 [3.900]	36	3-147731-4
		93.98 [3.700]	45.72 [1.800]	91.44 [3.600]	96.52 [3.800]	35	3-147731-3
		88.9 [3.500]	-	83.82 [3.300]	91.44 [3.600]	34	3-147731-2
		86.36 [3.400]	-	81.28 [3.200]	88.9 [3.500]	33	3-147731-1
		83.82 [3.300]	-	78.74 [3.100]	86.36 [3.400]	32	3-147731-0
		81.28 [3.200]	-	76.2 [3.000]	83.82 [3.300]	31	2-147731-9
		78.74 [3.100]	-	73.66 [2.900]	81.28 [3.200]	30	2-147731-8
76.2 [3.000]		-	71.12 [2.800]	78.74 [3.100]	29	2-147731-7	
73.66 [2.900]	-	68.58 [2.700]	76.2 [3.000]	28	2-147731-6		
71.12 [2.800]	-	66.04 [2.600]	73.66 [2.900]	27	2-147731-5		
68.58 [2.700]	-	63.5 [2.500]	71.12 [2.800]	26	2-147731-4		
66.04 [2.600]	-	60.96 [2.400]	68.58 [2.700]	25	2-147731-3		
63.5 [2.500]	-	58.42 [2.300]	66.04 [2.600]	24	2-147731-2		
60.96 [2.400]	-	55.88 [2.200]	63.5 [2.500]	23	2-147731-1		
58.42 [2.300]	-	53.34 [2.100]	60.96 [2.400]	22	2-147731-0		
55.88 [2.200]	-	50.8 [2.000]	58.42 [2.300]	21	1-147731-9		
53.34 [2.100]	-	48.26 [1.900]	55.88 [2.200]	20	1-147731-8		
50.8 [2.000]	-	45.72 [1.800]	53.34 [2.100]	19	1-147731-7		
48.26 [1.900]	-	43.18 [1.700]	50.8 [2.000]	18	1-147731-6		
45.72 [1.800]	-	40.64 [1.600]	48.26 [1.900]	17	1-147731-5		
43.18 [1.700]	-	38.1 [1.500]	45.72 [1.800]	16	1-147731-4		
40.64 [1.600]	-	35.56 [1.400]	43.18 [1.700]	15	1-147731-3		
38.1 [1.500]	-	33.02 [1.300]	40.64 [1.600]	14	1-147731-2		
35.56 [1.400]	-	30.48 [1.200]	38.1 [1.500]	13	1-147731-1		
33.02 [1.300]	-	27.94 [1.100]	35.56 [1.400]	12	1-147731-0		
30.48 [1.200]	-	25.4 [1.000]	33.02 [1.300]	11	147731-9		
27.94 [1.100]	-	22.86 [0.900]	30.48 [1.200]	10	147731-8		
25.4 [1.000]	-	20.32 [0.800]	27.94 [1.100]	9	147731-7		
22.86 [0.900]	-	17.78 [0.700]	25.4 [1.000]	8	147731-6		
20.32 [0.800]	-	15.24 [0.600]	22.86 [0.900]	7	147731-5		
17.78 [0.700]	-	12.7 [0.500]	20.32 [0.800]	6	147731-4		
15.24 [0.600]	-	10.16 [0.400]	17.78 [0.700]	5	147731-3		
12.7 [0.500]	-	7.62 [0.300]	15.24 [0.600]	4	147731-2		
10.16 [0.400]	-	5.08 [0.200]	12.7 [0.500]	3	147731-1		



RECOMMENDED PC BOARD PAD PATTERN  
0.20[.008] THICK STENCIL

- 1 HOUSING: GLASS FILLED, FLAME RETARDANT POLYESTER, BLACK CONTACTS: PHOSPHOR BRONZE. VACUUM COVER: STAINLESS STEEL
- 2 CONTACTS: 3.81-7.62µm [.000150-.000300] BRIGHT TIN-LEAD, ALL OVER 1.27µm [.000050] MIN NICKEL.
- 3 DIMENSION APPLIES TO HOUSING CAVITY CENTERLINES ONLY.
- 4 POINT OF MEASUREMENT FOR PLATING THICKNESS.
- 5 POINT OF CONTACT DIMENSION.
- 6 PART NUMBER AND DATE CODE ARE MARKED IN APPROXIMATE LOCATION SHOWN, EITHER SIDE.
- 7 TOLERANCE IS NON-CUMULATIVE.
- 8 5.2 [.205] MIN TARGET AREA FOR VACUUM PICK-UP COVERS TO BE REMOVED AFTER SOLDERING.
- 9 DATUMS AND BASIC DIMENSIONS ESTABLISHED BY CUSTOMER.
- 10 NO CENTER HOLD DOWNS
- 11 FOR 2 POS, DATE CODE IS STAMPED OPPOSITE SIDE OF TE LOGO.
- 12 TE LOGO AND CSA LOGO ARE MOLDED INTO HOUSING.
- 13 NO PART NUMBER MARKING REQUIRED ON THIS PART.
- 15 CONTACTS: 3.81-7.62µm [.000150-.000300] MATTE TIN, ALL OVER 1.27µm [.000050] MIN NICKEL.
- 16 ROHS 2002/95/EC COMPLIANT

THIS DRAWING IS A CONTROLLED DOCUMENT.

DIMENSIONS: mm [INCHES]	TOLERANCES UNLESS OTHERWISE SPECIFIED: ±0.13 [.005]	DRAWN: R. BROWN 19JAN01	REVISED: J. OLSON 19JAN01
MATERIAL: 1	FINISH: SEE TABLE	APPROVED: J. OLSON 19JAN01	NAME: J. OLSON
PRODUCT SPEC: 108-25026		RECP. ASSY., MOD IV, SGL ROW, .100 CL, SMT, VERTICAL, DUAL ENTRY CLOSED ENTRY	
APPLICATION SPEC: 114-25018		SIZE: A1	CAGE CODE: 00779
WEIGHT: -		DRAWING NO: 147731	RESTRICTED TO: -
CUSTOMER DRAWING		SCALE: 5:1	SHEET 1 OF 1

TE Connectivity