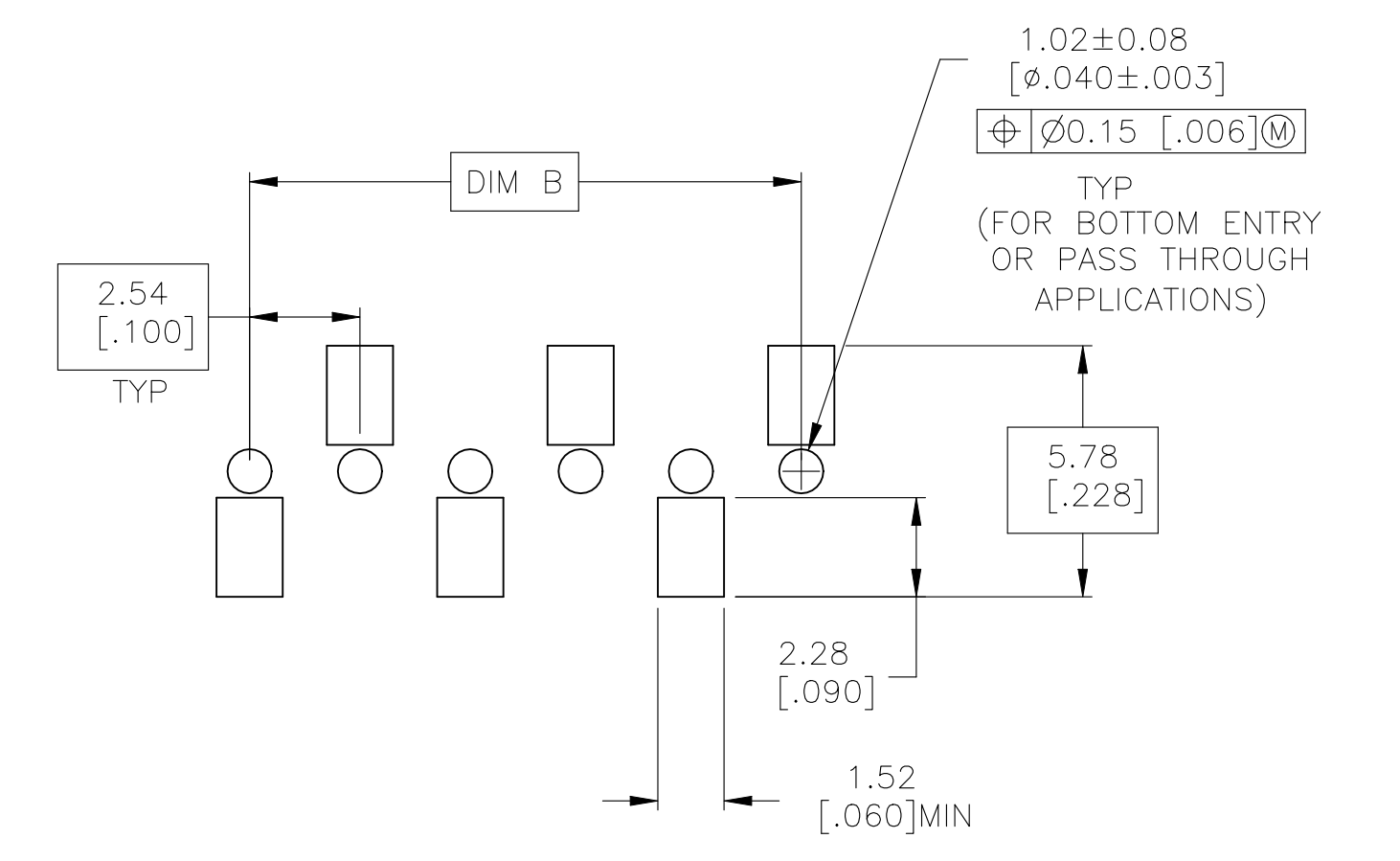
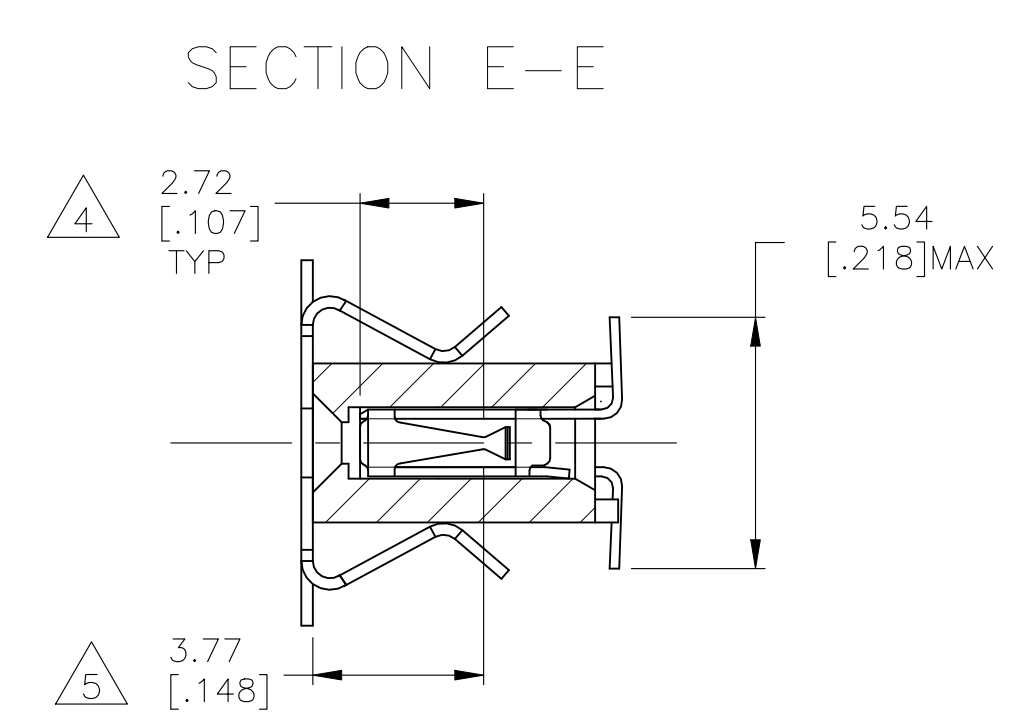
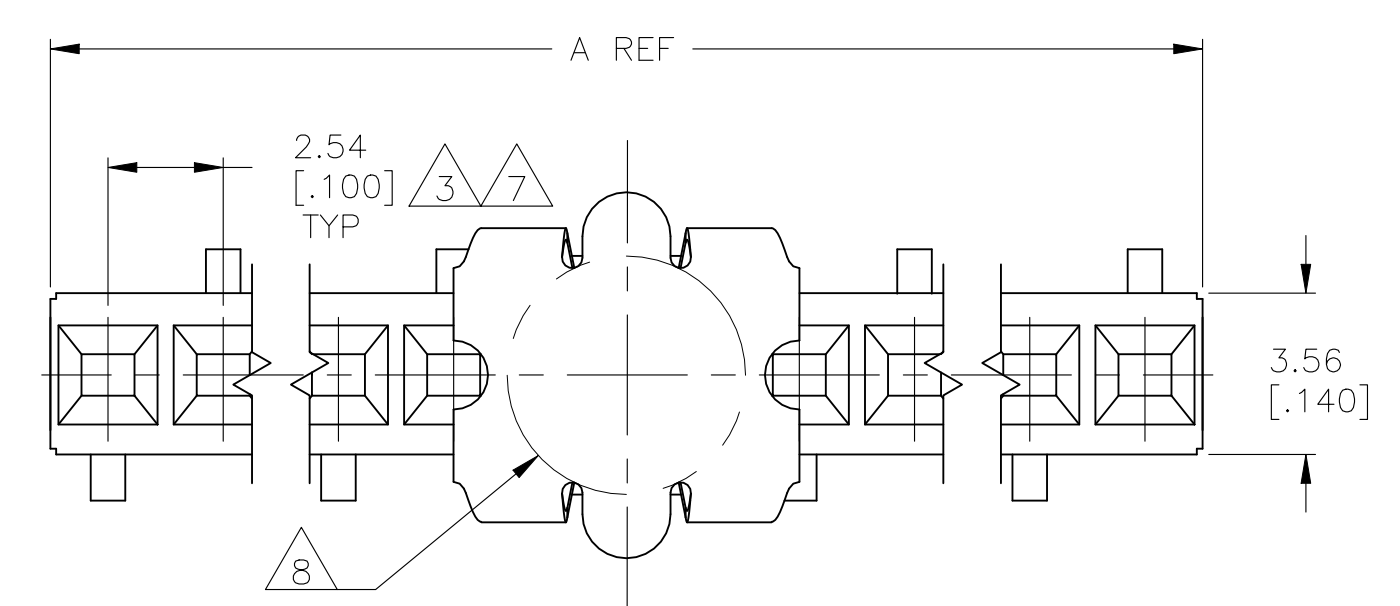
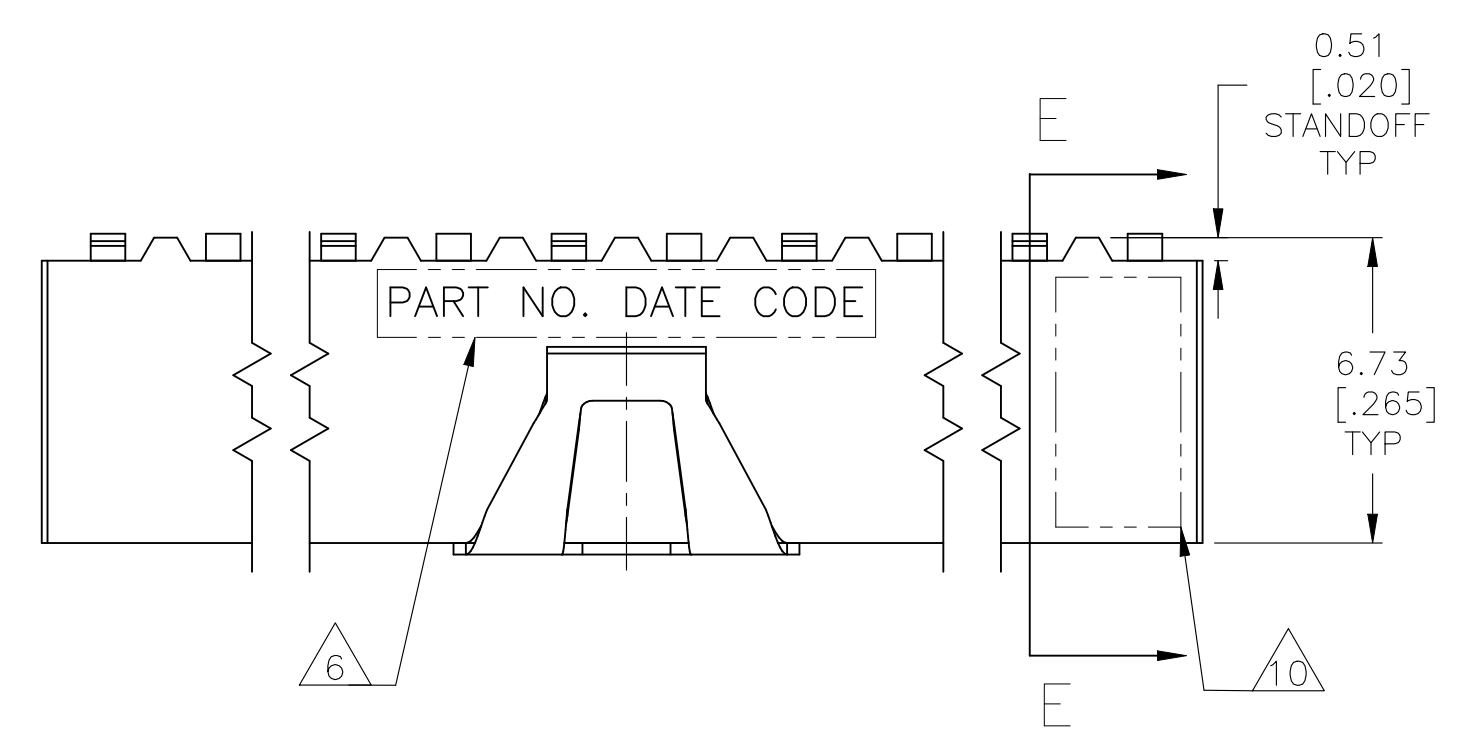


REVISIONS					
REV	DATE	DESCRIPTION	BY	CHK	APPV
J	25OCT2021	HOUSING RESIN CHANGED	SCB	KJK	



RECOMMENDED PC BOARD PAD PATTERN
0.20[.008] THICK STENCIL

ROW	HEIGHT	LENGTH	WIDTH	NO OF POSN	FINISH	PART NUMBER
OBSOLETE	120mm	99.06 [3.900]	101.6 [4.000]	40	2	3-147729-9
		96.52 [3.800]	99.06 [3.900]	39	2	3-147729-8
		93.98 [3.700]	96.52 [3.800]	38	2	3-147729-7
		91.44 [3.600]	93.98 [3.700]	37	2	3-147729-6
		88.90 [3.500]	91.44 [3.600]	36	2	3-147729-5
		86.34 [3.400]	88.90 [3.500]	35	2	3-147729-4
		83.82 [3.300]	86.34 [3.400]	34	2	3-147729-3
		81.28 [3.200]	83.82 [3.300]	33	2	3-147729-2
		78.74 [3.100]	81.28 [3.200]	32	2	3-147729-1
		76.20 [3.000]	78.74 [3.100]	31	2	3-147729-0
OBSOLETE	88mm	73.66 [2.900]	76.20 [3.000]	30	2	2-147729-9
		71.12 [2.800]	73.66 [2.900]	29	2	2-147729-8
		68.58 [2.700]	71.12 [2.800]	28	2	2-147729-7
		66.04 [2.600]	68.58 [2.700]	27	2	2-147729-6
		63.5 [2.500]	66.04 [2.600]	26	2	2-147729-5
		60.96 [2.400]	63.5 [2.500]	25	2	2-147729-4
		58.42 [2.300]	60.96 [2.400]	24	2	2-147729-3
		55.88 [2.200]	58.42 [2.300]	23	2	2-147729-2
		53.34 [2.100]	55.88 [2.200]	22	2	2-147729-1
		50.8 [2.000]	53.34 [2.100]	21	2	2-147729-0
OBSOLETE	72mm	48.26 [1.900]	50.8 [2.000]	20	2	1-147729-9
		45.72 [1.800]	48.26 [1.900]	19	2	1-147729-8
		43.18 [1.700]	45.72 [1.800]	18	2	1-147729-7
		40.64 [1.600]	43.18 [1.700]	17	2	1-147729-6
		38.1 [1.500]	40.64 [1.600]	16	2	1-147729-5
		35.56 [1.400]	38.1 [1.500]	15	2	1-147729-4
		33.02 [1.300]	35.56 [1.400]	14	2	1-147729-3
		30.48 [1.200]	33.02 [1.300]	13	2	1-147729-2
		27.94 [1.100]	30.48 [1.200]	12	2	1-147729-1
		25.4 [1.000]	27.94 [1.100]	11	2	1-147729-0
OBSOLETE	44mm	22.86 [.900]	25.4 [1.000]	10	2	147729-9
		20.32 [.800]	22.86 [.900]	9	2	147729-8
		17.78 [.700]	20.32 [.800]	8	2	147729-7
		15.24 [.600]	17.78 [.700]	7	2	147729-6
		12.7 [.500]	15.24 [.600]	6	2	147729-5
		10.16 [.400]	12.7 [.500]	5	2	147729-4
		7.62 [.300]	10.16 [.400]	4	2	147729-3
		5.08 [.200]	7.62 [.300]	3	2	147729-2
		2.54 [.100]	5.08 [.200]	2	2	147729-1
		OBSOLETE	24mm	2.54 [.100]	5.08 [.200]	2
EIA TAPE WIDTH	B	A	NO OF POSN	FINISH	PART NUMBER	

THIS DRAWING IS A CONTROLLED DOCUMENT.

DIMENSIONS: mm [INCHES]	TOLERANCES UNLESS OTHERWISE SPECIFIED:	DIN R BROWN 19JAN01	TE Connectivity Ltd.
0. PLC ± -	0. PLC ± -	CHK J OLSON 19JAN01	APVD J OLSON 19JAN01
1. PLC ± -	1. PLC ± -	NAME	RECP. ASSY., MOD IV, SINGLE ROW, .100 CL, SURFACE MOUNT, VERTICAL, DUAL ENTRY/CLOSED ENTRY
2. PLC ± -	2. PLC ± -	PRODUCT SPEC	108-25026
3. PLC ± 0.13[.005]	3. PLC ± 0.13[.005]	APPLICATION SPEC	114-25018
4. PLC ± -	4. PLC ± -	SIZE	A1
ANGLES ± -	ANGLES ± -	WEIGHT	00779
MATERIAL 1	FINISH 2 12	CUSTOMER DRAWING	SCALE 6:1 SHEET 1 OF 2 REV J

REVISIONS				
REV	DATE	DESCRIPTION	BY	APPV
-	-	SEE SHEET 1	-	-

- 1 HOUSING: FLAME RETARDANT, GLASS FILLED, POLYESTER, COLOR: BLACK.
CONTACT: PHOSPHOR BRONZE
VACUUM COVER: STAINLESS STEEL
- 2 CONTACT: 3.81-7.62µm[.000150-.000300] BRIGHT TIN-LEAD ALL OVER,
1.27µm[.000050] MINIMUM NICKEL
- 3 THESE DIMENSIONS PERTAIN TO CAVITY CENTERLINES ONLY
NOT TO CONTACT LOCATIONS
- 4 POINT OF MEASUREMENT DIMENSION FOR PLATING THICKNESS (INSIDE CONTACT BEAM).
- 5 POINT-OF-CONTACT DIMENSION.
- 6 MARK TE PART NUMBER AND DATE CODE IN APPROXIMATE LOCATION SHOWN, EITHER SIDE.
- 7 TOLERANCE IS NON-CUMULATIVE.
- 8 5.2[.205] MIN TARGET AREA FOR VACUUM PICK UP.
COVER TO BE REMOVED AFTER SOLDERING.
- 9 FOR 2 POSITION DATE CODE IS MARKED OPPOSITE SIDE OF TE LOGO.
- 10 TE LOGO AND CSA LOGO ARE MOLDED INTO HOUSING.
- 11 NO PART NUMBER MARKING REQUIRED ON THIS PART.
- 12 CONTACT: 3.81-7.62µm[.000150-.000300] MATTE TIN ALL OVER, 1.27µm[.000050] MINIMUM NICKEL.
- 13 ROHS 2002/95/EC COMPLIANT.

120mm	99.06 [3.900]	101.6 [4.000]	40	12	13	8-147729-9
	96.52 [3.800]	99.06 [3.900]	39	12	13	8-147729-8
	93.98 [3.700]	96.52 [3.800]	38	12	13	8-147729-7
	91.44 [3.600]	93.98 [3.700]	37	12	13	8-147729-6
	88.90 [3.500]	91.44 [3.600]	36	12	13	8-147729-5
	86.34 [3.400]	88.90 [3.500]	35	12	13	8-147729-4
	83.82 [3.300]	86.34 [3.400]	34	12	13	8-147729-3
	81.28 [3.200]	83.82 [3.300]	33	12	13	8-147729-2
	78.74 [3.100]	81.28 [3.200]	32	12	13	8-147729-1
	76.20 [3.000]	78.74 [3.100]	31	12	13	8-147729-0
	73.66 [2.900]	76.20 [3.000]	30	12	13	7-147729-9
	71.12 [2.800]	73.66 [2.900]	29	12	13	7-147729-8
	68.58 [2.700]	71.12 [2.800]	28	12	13	7-147729-7
	66.04 [2.600]	68.58 [2.700]	27	12	13	7-147729-6
88mm	63.5 [2.500]	66.04 [2.600]	26	12	13	7-147729-5
	60.96 [2.400]	63.5 [2.500]	25	12	13	7-147729-4
	58.42 [2.300]	60.96 [2.400]	24	12	13	7-147729-3
	55.88 [2.200]	58.42 [2.300]	23	12	13	7-147729-2
	53.34 [2.100]	55.88 [2.200]	22	12	13	7-147729-1
	50.8 [2.000]	53.34 [2.100]	21	12	13	7-147729-0
72mm	48.26 [1.900]	50.8 [2.000]	20	12	13	6-147729-9
	45.72 [1.800]	48.26 [1.900]	19	12	13	6-147729-8
	43.18 [1.700]	45.72 [1.800]	18	12	13	6-147729-7
	40.64 [1.600]	43.18 [1.700]	17	12	13	6-147729-6
	38.1 [1.500]	40.64 [1.600]	16	12	13	6-147729-5
	35.56 [1.400]	38.1 [1.500]	15	12	13	6-147729-4
	33.02 [1.300]	35.56 [1.400]	14	12	13	6-147729-3
	30.48 [1.200]	33.02 [1.300]	13	12	13	6-147729-2
	27.94 [1.100]	30.48 [1.200]	12	12	13	6-147729-1
	25.4 [1.000]	27.94 [1.100]	11	12	13	6-147729-0
44mm	22.86 [.900]	25.4 [1.000]	10	12	13	5-147729-9
	20.32 [.800]	22.86 [.900]	9	12	13	5-147729-8
	17.78 [.700]	20.32 [.800]	8	12	13	5-147729-7
	15.24 [.600]	17.78 [.700]	7	12	13	5-147729-6
	12.7 [.500]	15.24 [.600]	6	12	13	5-147729-5
	10.16 [.400]	12.7 [.500]	5	12	13	5-147729-4
	7.62 [.300]	10.16 [.400]	4	12	13	5-147729-3
	5.08 [.200]	7.62 [.300]	3	12	13	5-147729-2
	2.54 [.100]	5.08 [.200]	2	12	13	5-147729-1
	9 11 OBSOLETE	24mm				
EIA TAPE WIDTH	B	A	NO OF POSN	FINISH	PART NUMBER	

THIS DRAWING IS A CONTROLLED DOCUMENT.

DIMENSIONS:	TOLERANCES UNLESS OTHERWISE SPECIFIED:	DIN R BROWN 19JAN01	APVD J OLSON 19JAN01	NAME
mm [INCHES]	0. PLC ± - 1. PLC ± - 2. PLC ± - 3. PLC ± 0.1%(.005) 4. PLC ± - ANGLES ± -	CHK J OLSON 19JAN01	APVD J OLSON 19JAN01	RECT. ASSY., MOD IV, SINGLE ROW, .100 CL, SURFACE MOUNT, VERTICAL DUAL ENTRY/CLOSED ENTRY
MATERIAL	FINISH	WEIGHT	SIZE	SCALE
1	2 12	-	A1 00779	1:1

CUSTOMER DRAWING