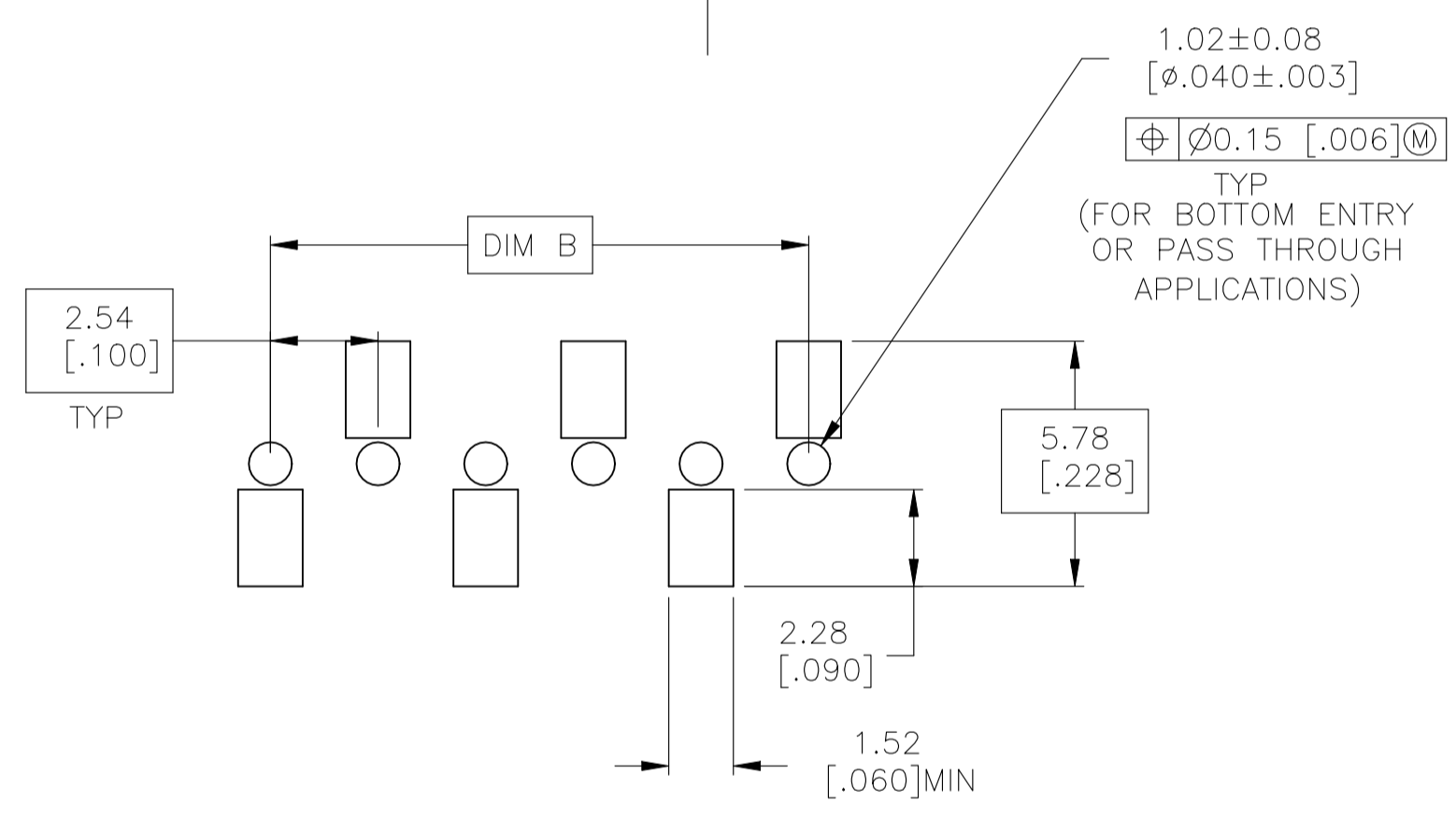
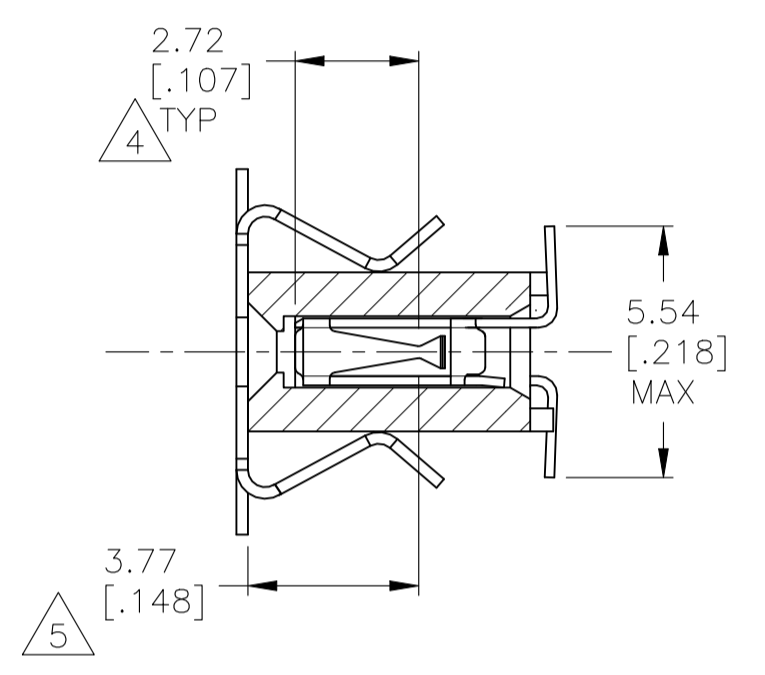
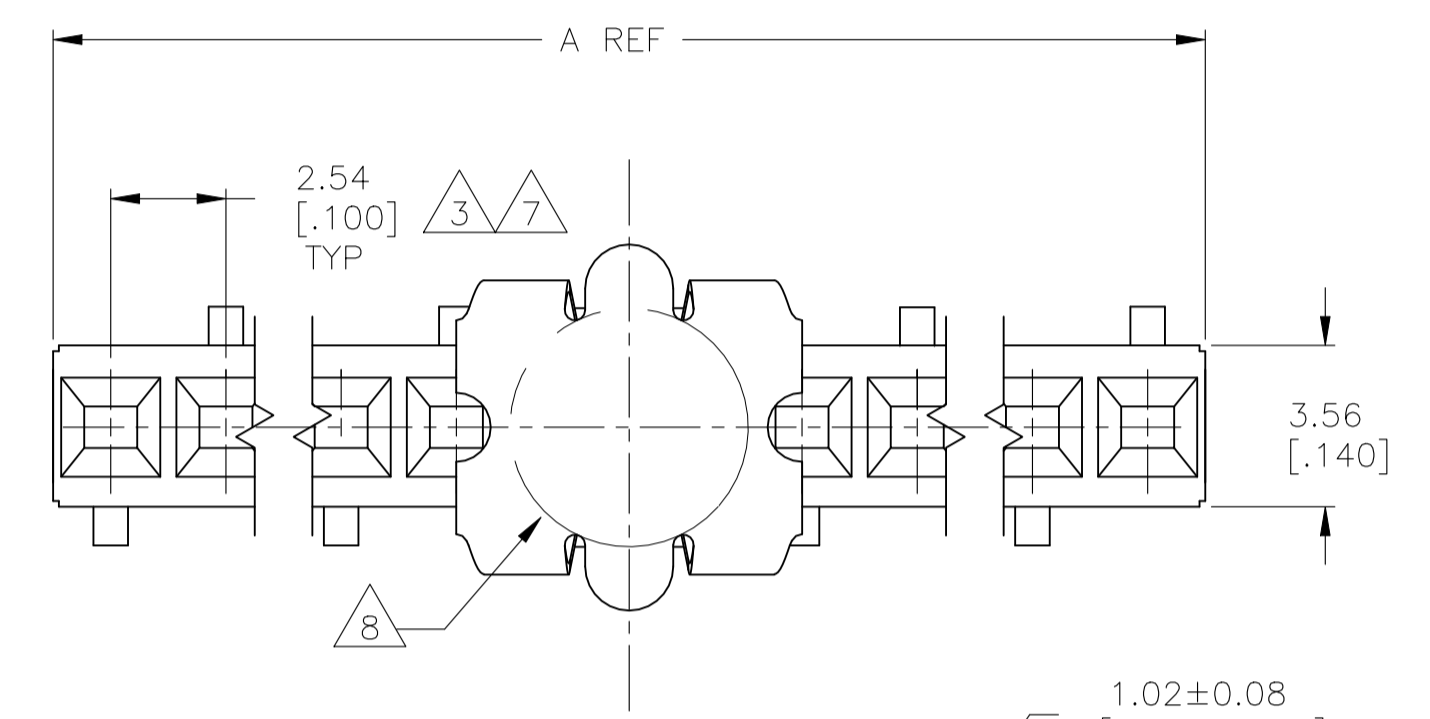
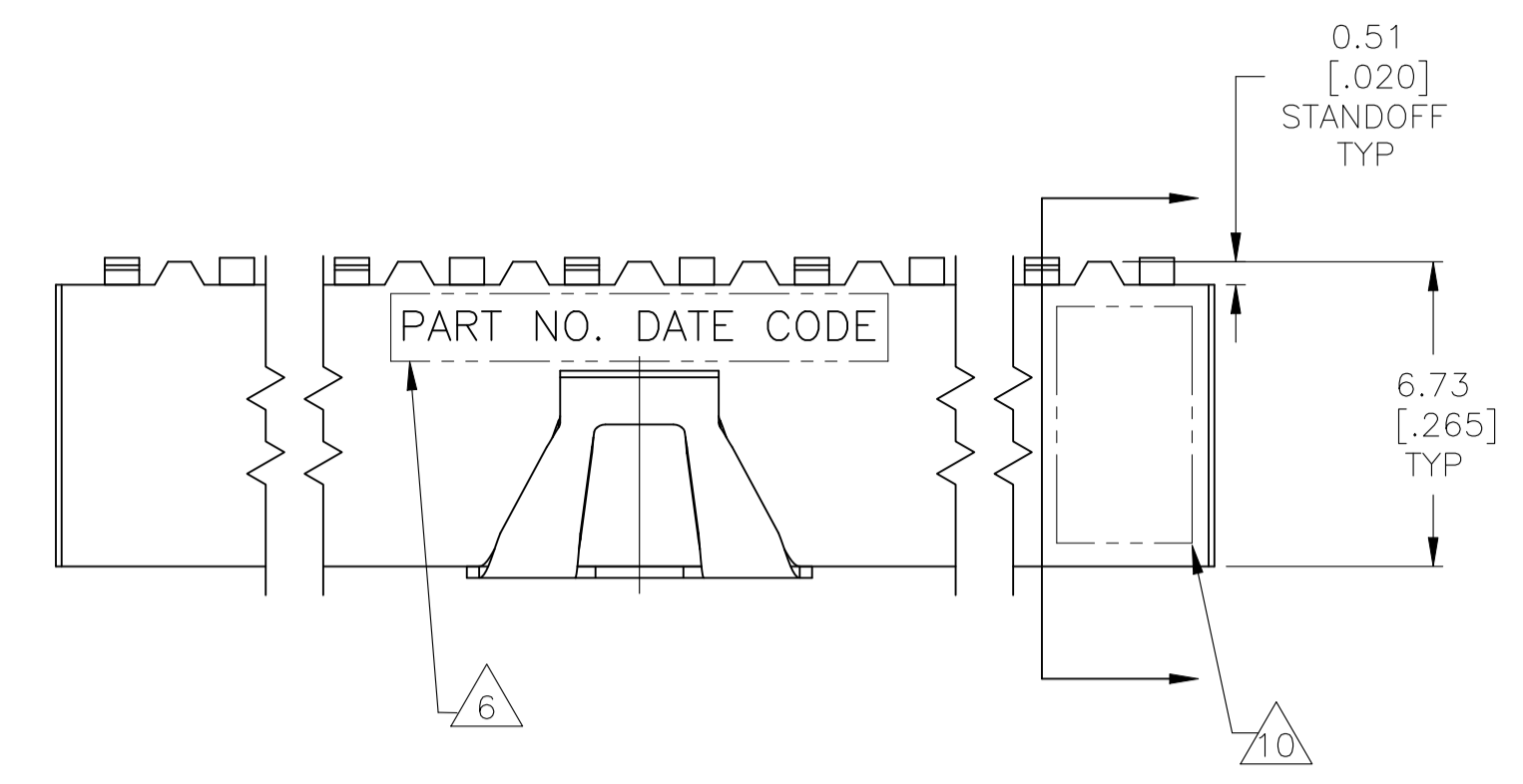


REVISIONS				
REV	DATE	DESCRIPTION	BY	APPV
K	02DEC2021	RESIN SUPPLIER CHANGE FOR THE HOUSING	SCB	KJK



RECOMMENDED PC BOARD PAD PATTERN
0.20 [.008] THICK STENCIL

- 1 HOUSING: GLASS FILLED, FLAME RETARDANT POLYESTER, BLACK CONTACTS: PHOSPHOR BRONZE. VACUUM COVER: STAINLESS STEEL
- 2 CONTACTS: DUPLEX PLATED: 0.76µm [.000030] GOLD IN CONTACT AREA 3.81-7.62µm [.000150-.000300] BRIGHT TIN-LEAD ON LEADS, ALL OVER 1.27µm [.000050] MINIMUM NICKEL.
- 3 THESE DIMENSIONS PERTAIN TO CAVITY CENTERLINES ONLY. NOT TO CONTACT LOCATION
- 4 POINT OF MEASUREMENT FOR PLATING THICKNESS.
- 5 POINT OF CONTACT DIMENSION.
- 6 MARK PART NUMBER AND DATE CODE IN APPROXIMATE LOCATION SHOWN, EITHER SIDE.
- 7 TOLERANCE IS NON-CUMULATIVE.
- 8 5.2 [.205] MIN TARGET AREA FOR VACUUM PICK-UP COVERS TO BE REMOVED AFTER SOLDERING.
- 9 FOR 2 POS, DATE CODE IS STAMPED OPPOSITE SIDE OF TE LOGO.
- 10 TE LOGO AND CSA LOGO ARE MOLDED INTO HOUSING.
- 11 NO PART NUMBER MARKING REQUIRED ON THIS PART.
- 12 CONTACT: DUPLEX PLATED: 0.76 MICROMETERS (.000030) GOLD IN CONTACT AREA, 3.81-7.62 MICROMETERS (.000150-.000300) MATTE TIN ON LEADS, ALL OVER 1.27 MICROMETERS (.000050) MINIMUM NICKEL.
- 13 ROHS 2002/95/EC COMPLIANT
- 14 OBSOLETE

SUPERSEDED BY 6-147723-9
SUPERSEDED BY 6-147723-5

SIZE	NO OF POSN	FINISH	PART NUMBER	
120mm	40	△	3-147723-9	
	39	△	3-147723-8	
	38	△	3-147723-7	
	37	△	3-147723-6	
	36	△	3-147723-5	
	35	△	3-147723-4	
	34	△	3-147723-3	
	33	△	3-147723-2	
	32	△	3-147723-1	
	31	△	3-147723-0	
	30	△	2-147723-9	
	29	△	2-147723-8	
88mm	28	△	2-147723-7	
	27	△	2-147723-6	
	26	△	2-147723-5	
	25	△	2-147723-4	
	24	△	2-147723-3	
	23	△	2-147723-2	
	22	△	2-147723-1	
	21	△	2-147723-0	
	20	△	1-147723-9	
	19	△	1-147723-8	
	18	△	1-147723-7	
	17	△	1-147723-6	
72mm	16	△	1-147723-5	
	15	△	1-147723-4	
	14	△	1-147723-3	
	13	△	1-147723-2	
	12	△	1-147723-1	
	11	△	1-147723-0	
	10	△	147723-9	
	9	△	147723-8	
	8	△	147723-7	
	7	△	147723-6	
	6	△	147723-5	
	44mm	5	△	147723-4
4		△	147723-3	
3		△	147723-2	
2		△	147723-1	
EIA TAPE WIDTH				
B		A	NO OF POSN	FINISH
PART NUMBER				

THIS DRAWING IS A CONTROLLED DOCUMENT.

APPROVED BY: J. OLSON (19JAN01)

TE Connectivity Ltd.

REC. ASSY., MOD IV, SR, .100 CL SURFACE MOUNT, VERTICAL, DUAL ENTRY CLOSED ENTRY

108-25026

114-25018


SCALE: 6:1 SHEET 1 OF 2

REVISIONS				
REV	DATE	DESCRIPTION	BY	APPV
-	-	SEE SHEET 1	-	-

NO	DESCRIPTION	QTY	UNIT	REV	DATE	BY	APPV
99.06	[3.900]	101.6	[4.000]	40			
96.52	[3.800]	99.06	[3.900]	39			
93.98	[3.700]	96.52	[3.800]	38			
91.44	[3.600]	93.98	[3.700]	37			
88.90	[3.500]	91.44	[3.600]	36			
86.34	[3.400]	88.90	[3.500]	35			
83.82	[3.300]	86.34	[3.400]	34			
81.28	[3.200]	83.82	[3.300]	33			
78.74	[3.100]	81.28	[3.200]	32			
76.20	[3.000]	78.74	[3.100]	31			
73.66	[2.900]	76.20	[3.000]	30			
71.12	[2.800]	73.66	[2.900]	29			
68.58	[2.700]	71.12	[2.800]	28			
66.04	[2.600]	68.58	[2.700]	27			
63.5	[2.500]	66.04	[2.600]	26			
60.96	[2.400]	63.5	[2.500]	25			
58.42	[2.300]	60.96	[2.400]	24			
55.88	[2.200]	58.42	[2.300]	23			
53.34	[2.100]	55.88	[2.200]	22			
50.8	[2.000]	53.34	[2.100]	21			
48.26	[1.900]	50.8	[2.000]	20			
45.72	[1.800]	48.26	[1.900]	19			
43.18	[1.700]	45.72	[1.800]	18			
40.64	[1.600]	43.18	[1.700]	17			
38.1	[1.500]	40.64	[1.600]	16			
35.56	[1.400]	38.1	[1.500]	15			
33.02	[1.300]	35.56	[1.400]	14			
30.48	[1.200]	33.02	[1.300]	13			
27.94	[1.100]	30.48	[1.200]	12			
25.4	[1.000]	27.94	[1.100]	11			
22.86	[.900]	25.4	[1.000]	10			
20.32	[.800]	22.86	[.900]	9			
17.78	[.700]	20.32	[.800]	8			
15.24	[.600]	17.78	[.700]	7			
12.7	[.500]	15.24	[.600]	6			
10.16	[.400]	12.7	[.500]	5			
7.62	[.300]	10.16	[.400]	4			
5.08	[.200]	7.62	[.300]	3			
2.54	[.100]	5.08	[.200]	2			

9 OBSOLETE

EIA TAPE WIDTH	B	A	NO OF POSN	FINISH	PART NUMBER
----------------	---	---	------------	--------	-------------

THIS DRAWING IS A CONTROLLED DOCUMENT.		DIN R BROWN 19JAN01	 TE Connectivity Ltd.
DIMENSIONS: mm [INCHES]		CHK J OLSON 19JAN01	
TOLERANCES UNLESS OTHERWISE SPECIFIED:		APVD J OLSON 19JAN01	NAME
0. PLC ± .005	1. PLC ± .005	PRODUCT SPEC	REC. ASSY., MOD IV, SR, .100 CL
2. PLC ± .005	3. PLC ± .005	APPLICATION SPEC	108-25026
4. PLC ± .005	ANGLES ± .005	SIZE	114-25018
MATERIAL	FINISH	WEIGHT	RESTRICTED TO
			A1 00779 147723
CUSTOMER DRAWING		SCALE 5:1	SHEET 2 OF 2 REV K