

THIS DRAWING IS UNPUBLISHED. RELEASED FOR PUBLICATION
 © COPYRIGHT - By - ALL RIGHTS RESERVED.

LOC	DIST	REVISIONS					
		P	LTR	DESCRIPTION	DATE	DWN	APVD
J	-	D		REVISED PER ECR-14-007279	05SEP2014	NK	TM

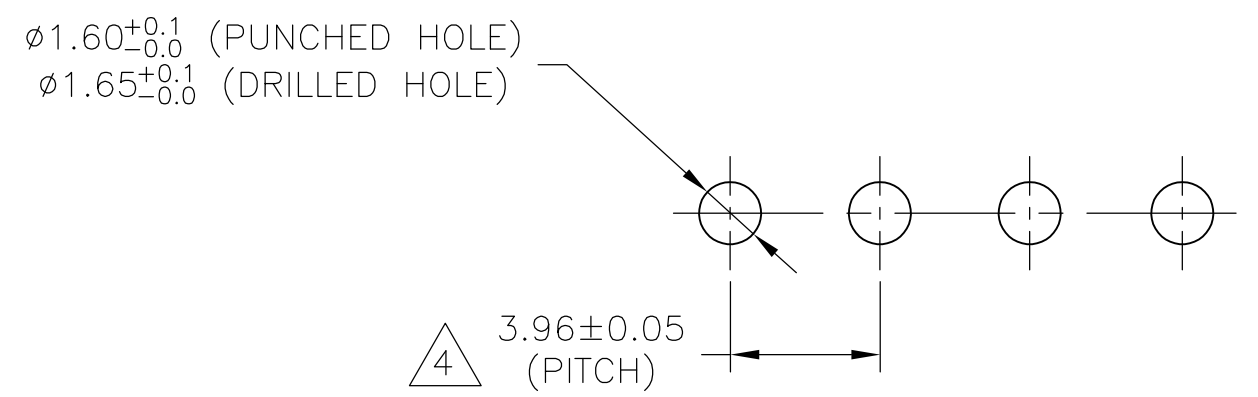
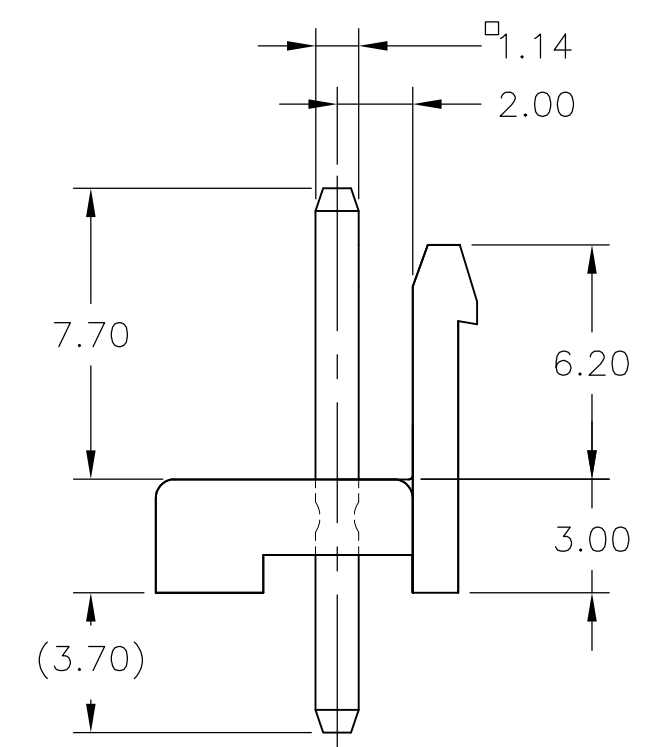
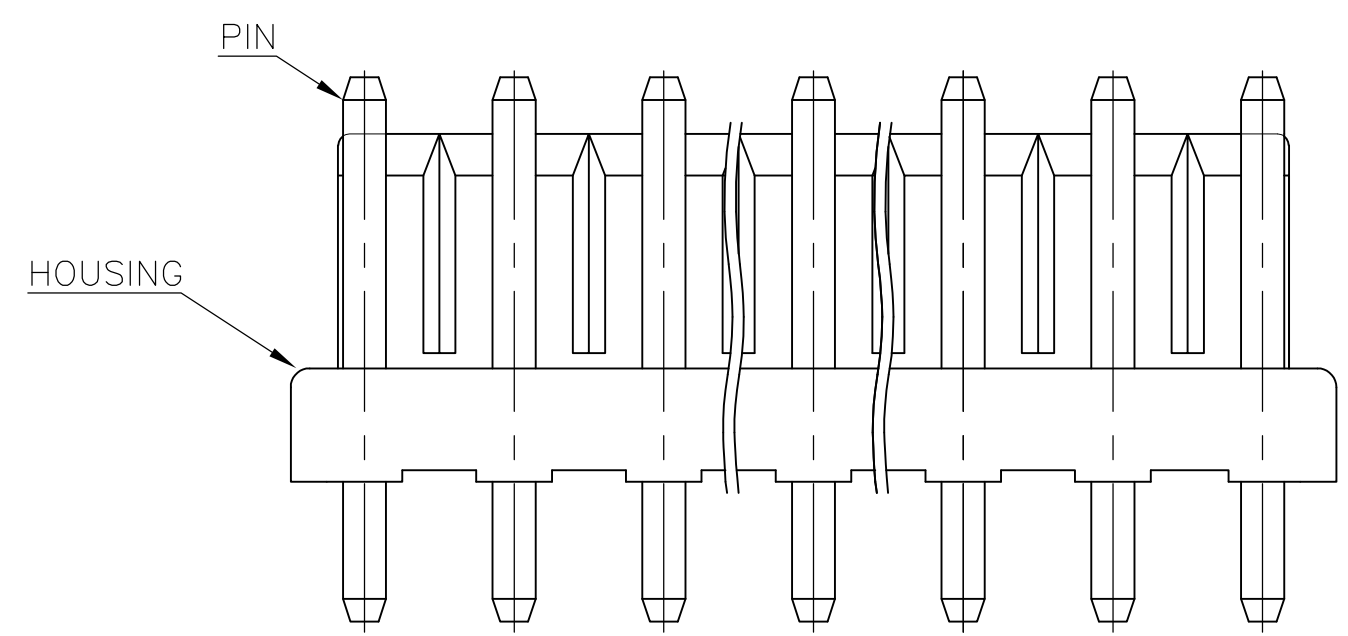
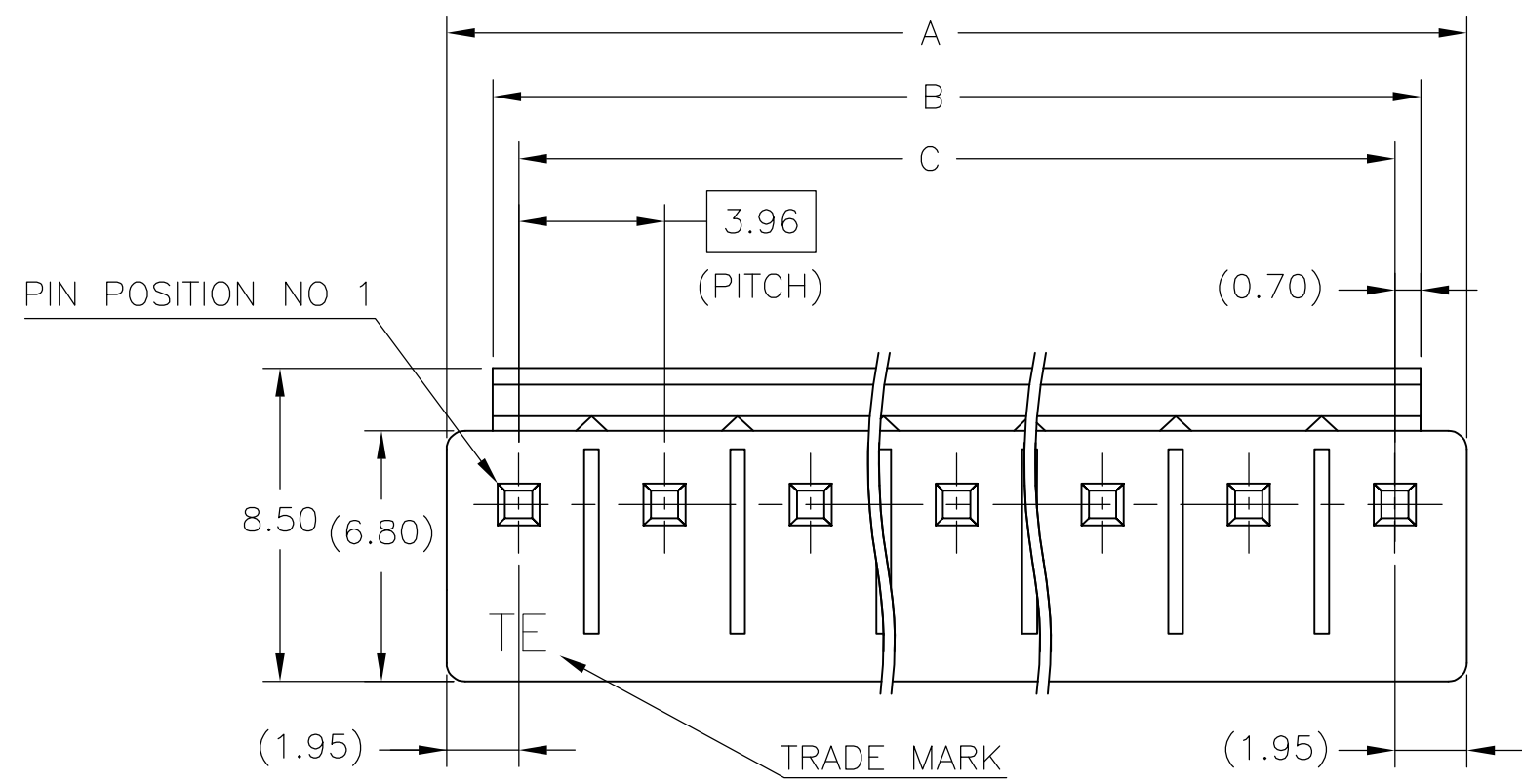


FIG.1

- 1 MATING CONN P/N: □-1123722-□
- 2 APPLICABLE P.C.B LAYOUT: SEE FIG. 1
- 3 APPLICABLE P.C.B THICKNESS: 1.60
- 4 SKETCHES SHOW NO PINS MISSING.
- 5 COMPLY WITH GLOW WIRE REQUIREMENTS FOR PARTS OF NON-METALIC MATERIAL SUPPORTING A CURRENT CARRYING CONNECTION DETAILED IN IEC 60335-1 SECTION 30 (GWT [GLOW WIRE TEST]) 750° SPEC.
- 6 PIN: POST TIN OVER BRASS
- 7 HOUSING: PBT, 30% GLASS, UL94-V0.
- 8 ○ : WITH PIN, X : WITHOUT PIN.
- 9 HOUSING: NYLON, 15% GLASS, UL94-V2

YES	9	○ ○ × ○ ○ × ○ × ○	31.68	33.08	35.58	NATURAL	9	8-1473978-6
NO	7	○ ○ × ○ ○ × ○ × ○				NATURAL		7-1473978-6
		○ × ○ × ○ ○ × ○				NATURAL		2-1473978-6
GWT	5	HOUSING MATERIAL	PIN POSITION			COLOR	POSN	ASS'Y P/N

THIS DRAWING IS A CONTROLLED DOCUMENT.

DIMENSIONS: mm	TOLERANCES UNLESS OTHERWISE SPECIFIED:	DWN Y.YAMADA 13MAR'01	TE Connectivity
	0 PLC ±	CHK N.YAMASAKI 13MAR'01	
	1 PLC ± 0.50	APVD N.YAMASAKI 13MAR'01	
	2 PLC ± 0.30	NAME	
MATERIAL SEE TABLE	FINISH	PRODUCT SPEC 108-5609	ECONOMY POWER (EP) CONN HEADER ASSY 3.96/7.92MM PITCH 6 POS

SCALE 5:1 SHEET 1 OF 1 REV D