

4

3

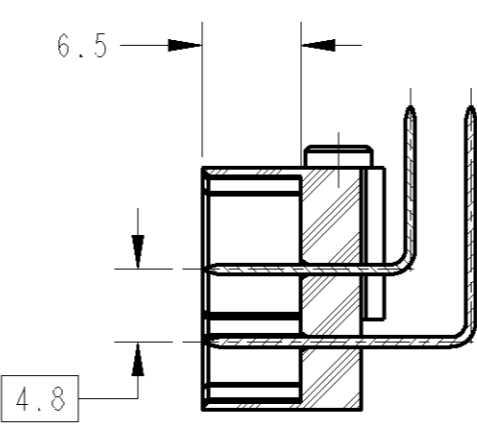
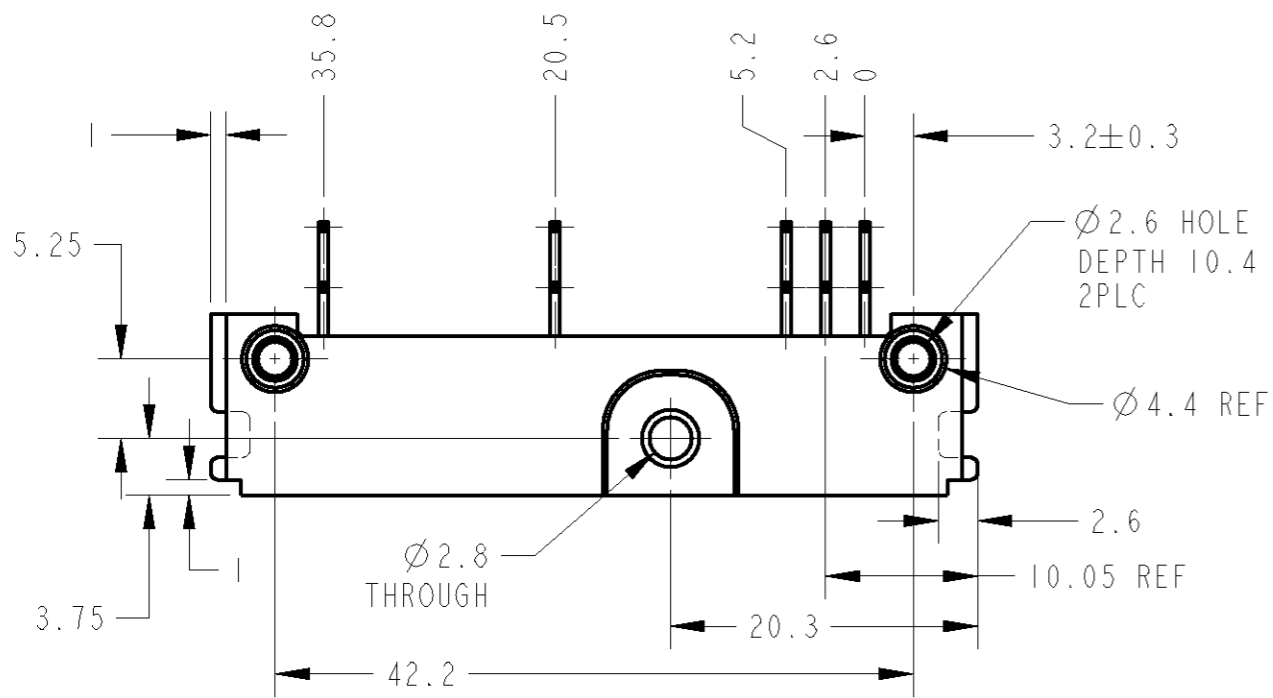
2

1

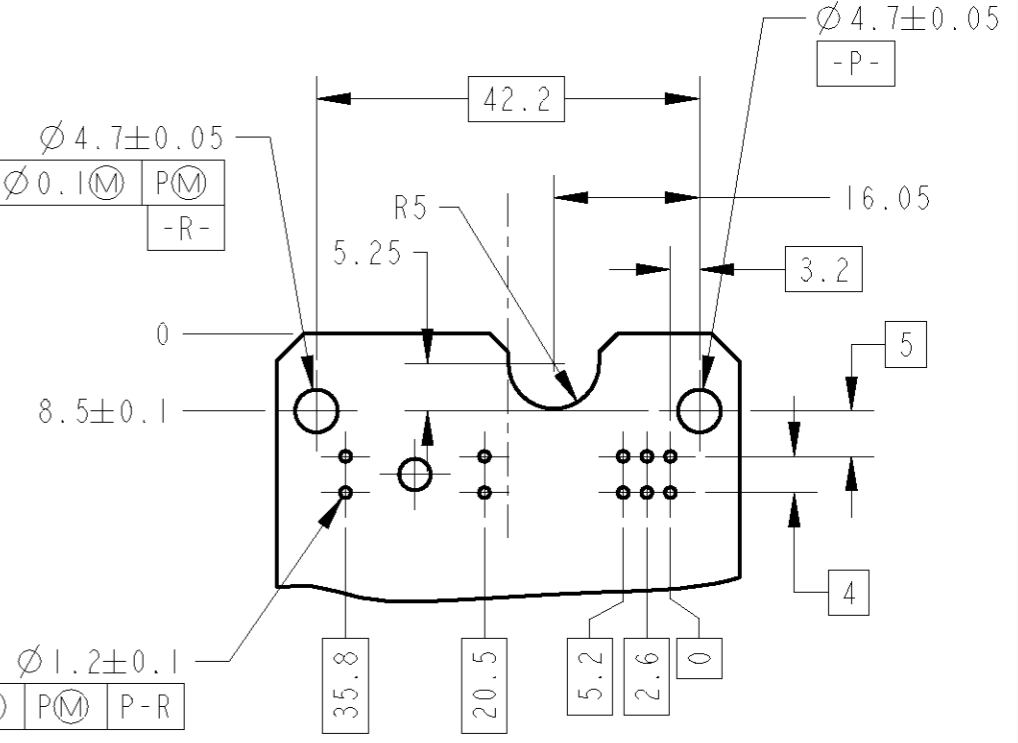
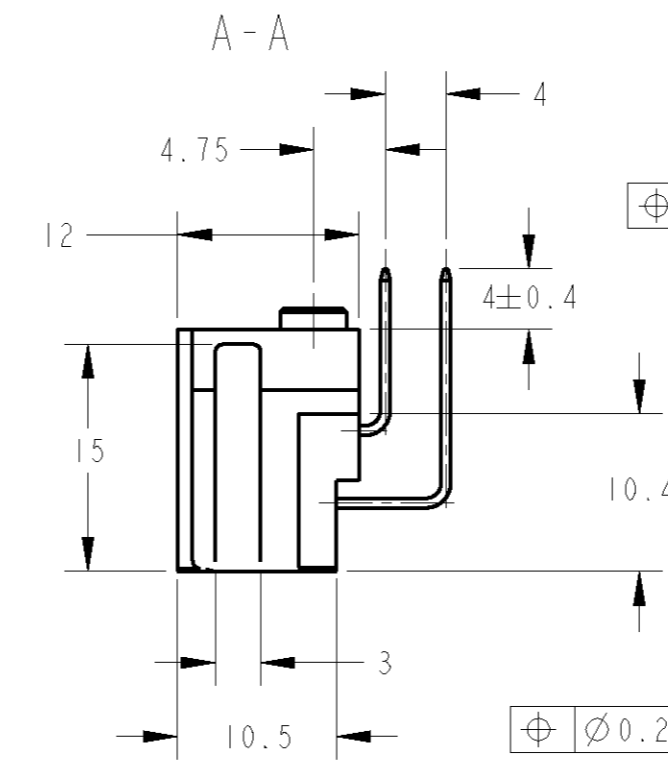
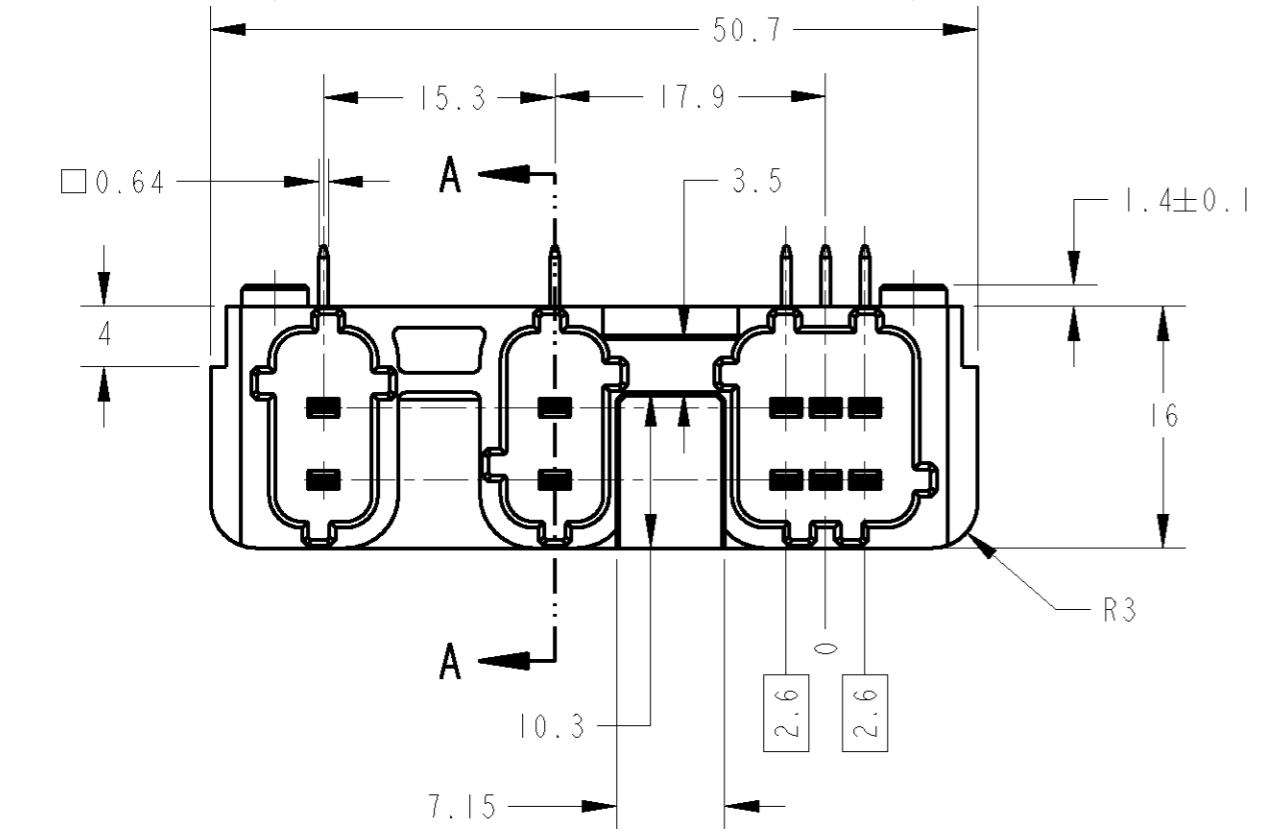
THIS DRAWING IS UNPUBLISHED. RELEASED FOR PUBLICATION 20

© COPYRIGHT 20 BY TYCO ELECTRONICS CORPORATION. ALL RIGHTS RESERVED.

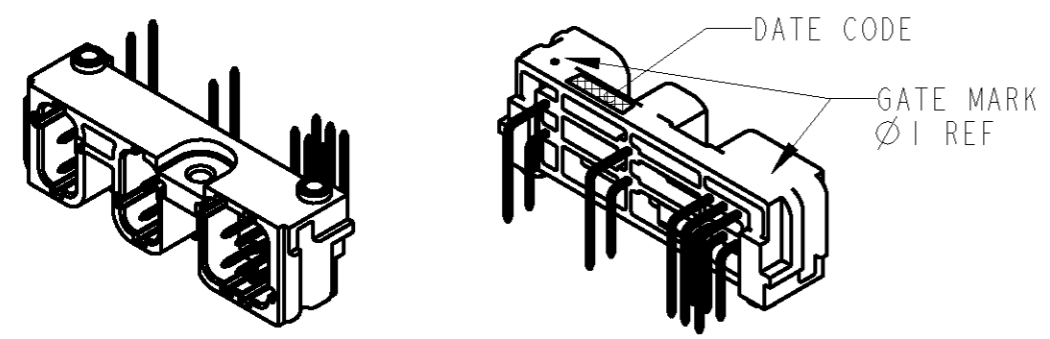
LOC	DIST	REVISIONS					
J	-	P	LTR	DESCRIPTION	DATE	DWN	APVD
				01 REVISED ECR-09-021801	05OCT09	SF	KB



1. GENERAL TOLERANCES -2 ; AS SHOWN
 一般公差
 10 > : ±0.2
 30 > : ±0.25
 >30 : ±0.3
2. PLUG PART NO. : 1473845, 1473846, 1473847
 プラグ型番
3. FASTENING TORQUE FOR SCREW : 0.392N·m MAX
 ねじ締め付けトルク
 RECOMMENDED SCREW: TP SCREW
 推奨取り付けねじ: 座金付きタッピンねじ
 M3 X 10mm (JIS B 1111)



AUXILIARY DIMENSION FOR PCB.



THIS DRAWING IS A CONTROLLED DOCUMENT FOR TYCO ELECTRONICS CORPORATION IT IS SUBJECT TO CHANGE AND THE CONTROLLING ENGINEERING ORGANIZATION SHOULD BE CONTACTED FOR THE LATEST REVISION.		DWN Y. FUJIWARA 02NOV2001	Tyco Electronics Japan G.K. Kawasaki, Japan	
DIMENSIONS: 単位: 丸 mm		CHK Y. NOGUCHI 02NOV2001	NAME 名称 10 POSITIONS CAP ASSY CLEAN BODY 025 CONNECTOR	
TOLERANCES UNLESS OTHERWISE SPECIFIED: 0 PLC ± 1 PLC ±0.1 ±0.15 2 PLC ±0.01 3 PLC ±0.001 4 PLC ±0.0001 ANGLES ±3' 00"		APVD K ASAI 02NOV2001	DRAWING NO 1473842	
MATERIAL 材料 PBT BRASS		FINISH 仕上 BLACK TIN PLATE	WEIGHT 6.4g	RESTRICTED TO
CUSTOMER DRAWING		SCALE 尺度	SHEET OF	REV 01