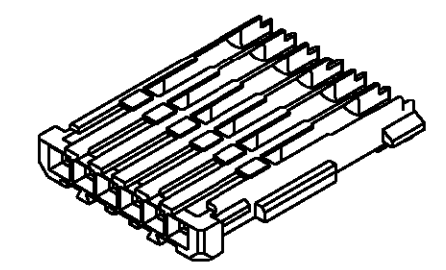
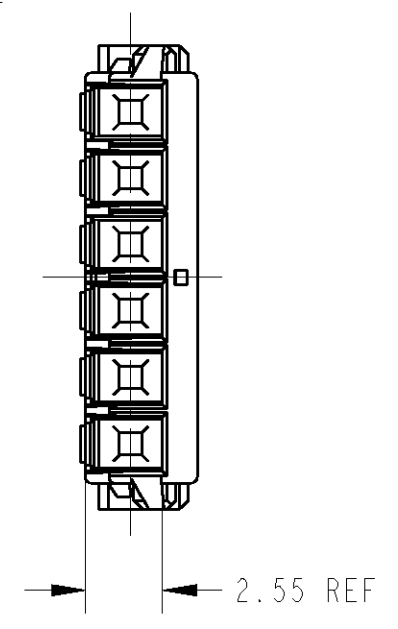
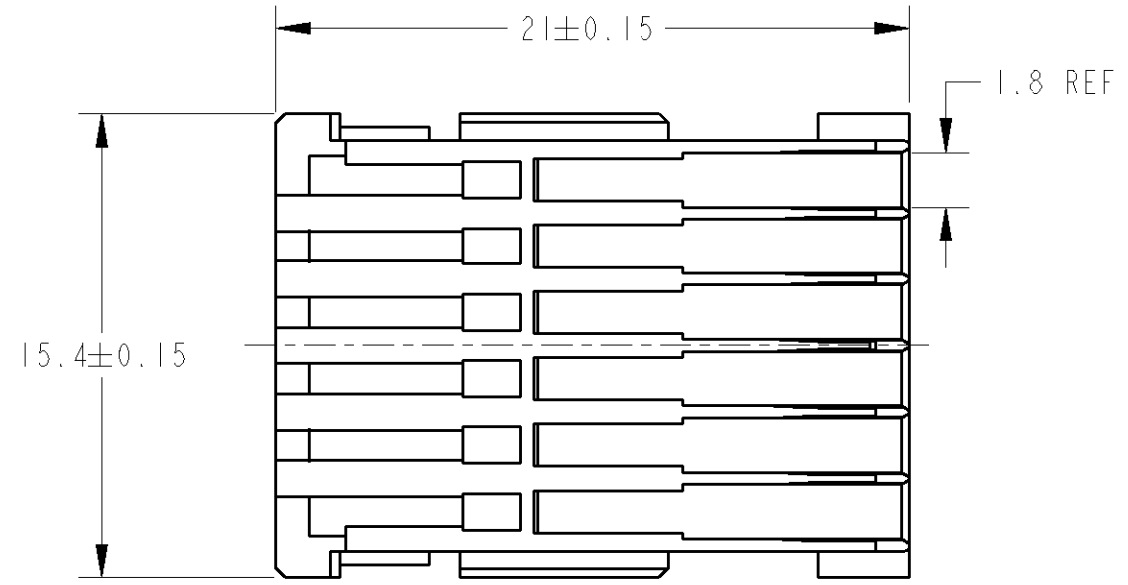
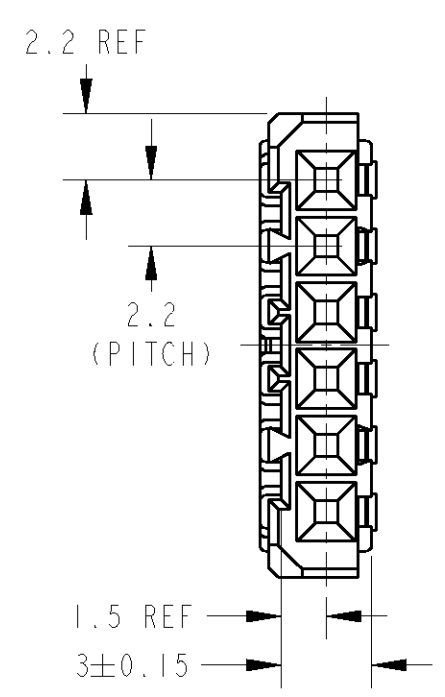
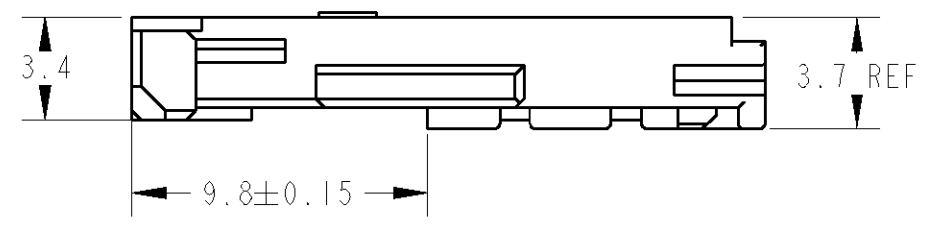


THIS DRAWING IS UNPUBLISHED. RELEASED FOR PUBLICATION 20  
 © COPYRIGHT 20 BY TYCO ELECTRONICS CORPORATION. ALL RIGHTS RESERVED.

LOC	DIST	REVISIONS						
		P	LTR	DESCRIPTION	ECN	DATE	DWN	APVD
J		0		RELEASED	FJ00-2067-01	10OCT01	SA	NS



SCALE 2:1



- 1. 適応端子型番: 1318688, 1565403, 1565404
- 2. 本品はロックハウジング型番 1473810を装着して使用する。
- 3. 取扱説明書; 411-5912
- 4. 嵌合相手型番; 1318772

- 1. APPLICABLE TERMINAL PART NO: 1318688, 1565403, 1565404
- 2. LOCK HOUSING MUST BE USED WITH LOCK HOUSING P/N: 1473810
- 3. INSTRUCTION SHEET No; 411-5912
- 4. PART NUMBER OF HOUSINGS TO BE MATED; 1318772

NATURAL	1473809-1
HOUSING COLOR	PART NUMBER

THIS DRAWING IS A CONTROLLED DOCUMENT FOR TYCO ELECTRONICS CORPORATION IT IS SUBJECT TO CHANGE AND THE CONTROLLING ENGINEERING ORGANIZATION SHOULD BE CONTACTED FOR THE LATEST REVISION.		DWN S. AMEMIYA	10OCT01	<b>AMP</b> Tyco Electronics AMP K.K. Kawasaki, Japan
DIMENSIONS: 単位: 毫 mm		CHK N. SAI	10OCT01	
TOLERANCES UNLESS OTHERWISE SPECIFIED: 一般公差; ±0.3		APVD N. SAI	10OCT01	NAME 名称 6POSITION PLUG HOUSING 025 IDC CONNECTOR
0-PLC ± 1-PLC ±0.1 2-PLC ±0.01 3-PLC ±0.001 4-PLC ±0.0001 ANGLES ±3°00'		PRODUCT SPEC 製品規格 108-5660	APPLICATION SPEC 取付適用規格 114-5276	
MATERIAL 材料 PBT	FINISH 仕上 SEE TABLE	WEIGHT 0.6 g	SIZE A3	CAGE CODE 00779
CUSTOMER DRAWING			DRAWING NO 番号 C-1473809	RESTRICTED TO -
			SCALE 尺度 4:1	SHEET 1 OF 1 REV 0