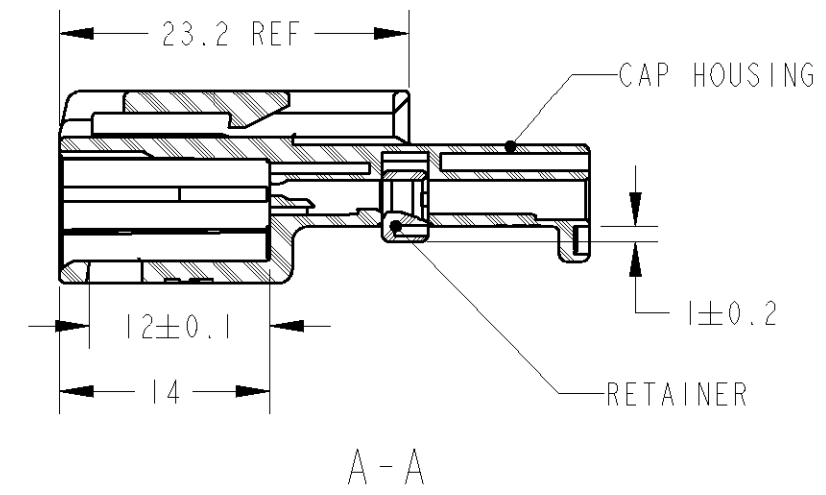
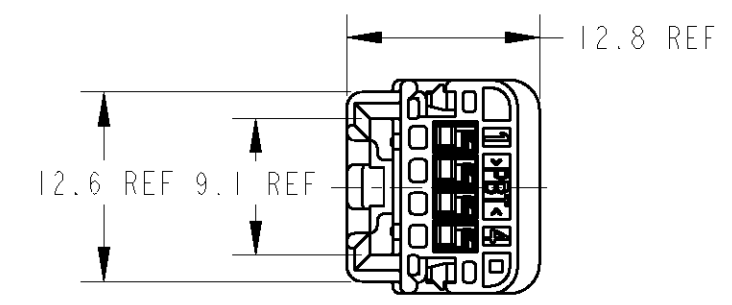
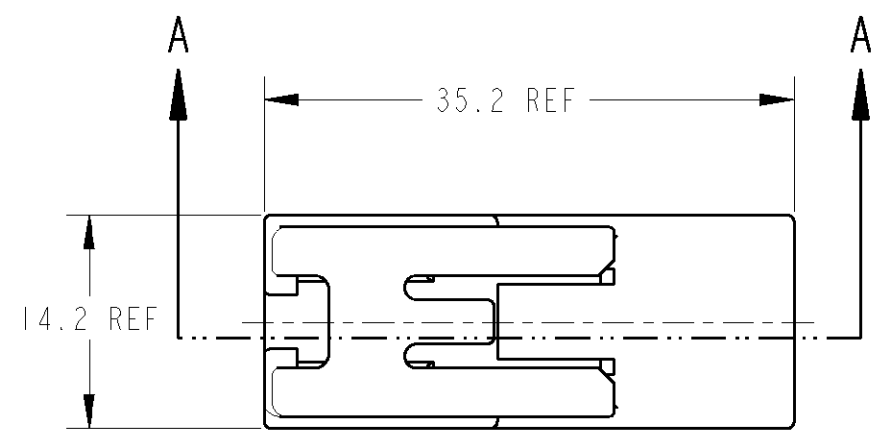
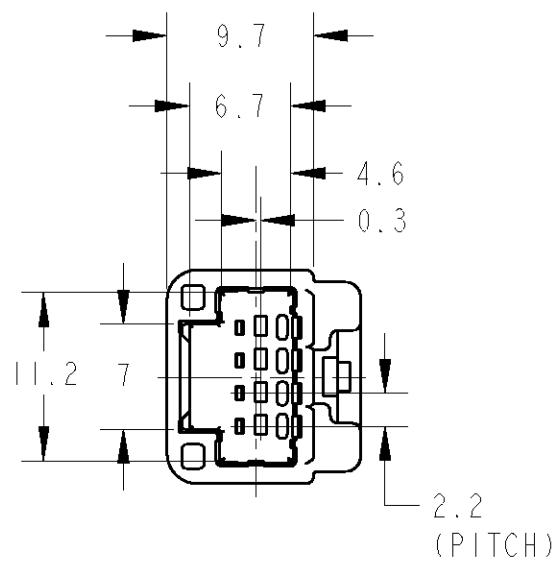


THIS DRAWING IS UNPUBLISHED. RELEASED FOR PUBLICATION 20  
 © COPYRIGHT 20 BY TYCO ELECTRONICS CORPORATION. ALL RIGHTS RESERVED.

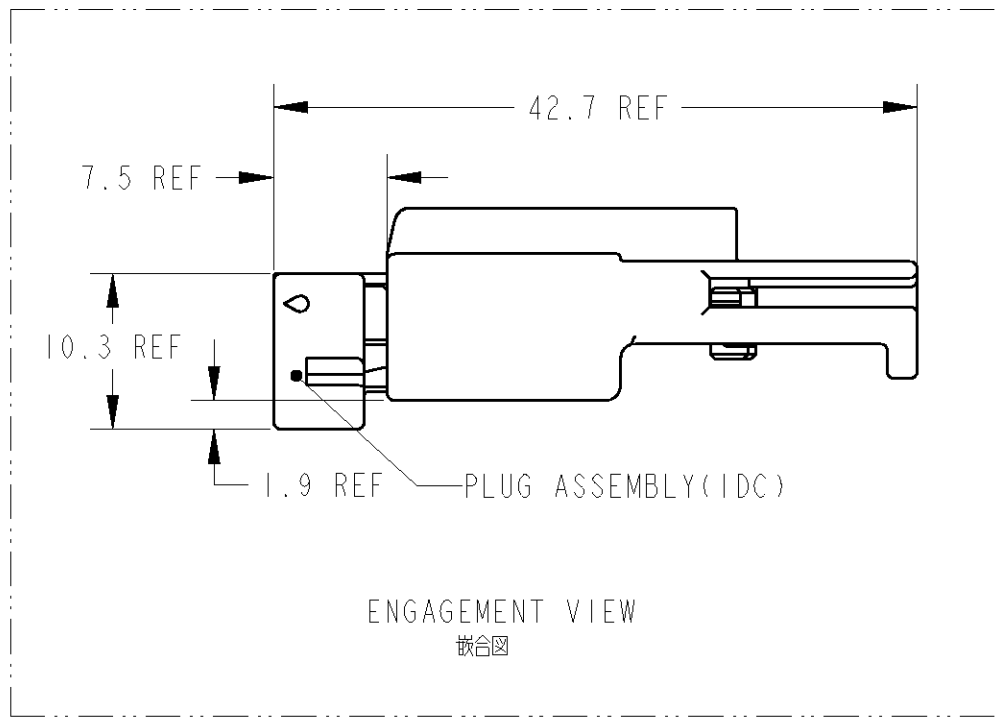
LOC	DIST	REVISIONS						
		P	LTR	DESCRIPTION	ECN	DATE	DWN	APVD
J		0		RELEASED	FJ00-2067-01	16OCT01	SA	NS



- 1. キャップハウジングにダブルロックプレートを仮止して出荷される。
- 2. 対応端子型番; 1376109, 1473818, 1565406
- 3. 取扱説明書; 411-5996
- 4. 嵌合相手型番; 1473800 & 1473801 (IDC)

- 1. PLATE SHOULD BE SET TO THE PRE-ASSEMBLY POSITION WITHIN THE CAP HOUSING WHEN SHIPPED TO THE CUSTOMER
- 2. APPLIED TERMINAL; 1376109, 1473818, 1565406
- 3. INSTRUCTION SHEET No; 411-5996
- 4. PART NUMBER OF PLUG HOUSING TO BE MATED; 1473800 & 1473801 (IDC)

PAPER BOX ダンボール	PLASTIC BAG ビニール袋	NATURAL	1473790-1
OUTER 外装	INNER 内装	COLOR	PART NUMBER
PACKING STYLE 梱包形態			



THIS DRAWING IS A CONTROLLED DOCUMENT FOR TYCO ELECTRONICS CORPORATION. IT IS SUBJECT TO CHANGE AND THE CONTROLLING ENGINEERING ORGANIZATION SHOULD BE CONTACTED FOR THE LATEST REVISION.

DIMENSIONS: 単位: 概 mm	TOLERANCES UNLESS OTHERWISE SPECIFIED: 一般公差: ±0.3	DWN S. AMEMIYA 16OCT01	Tyco Electronics AMP K.K. Kawasaki, Japan
	0-PLC ±	CHK N. SAI 16OCT01	
	1-PLC ±0.1	APVD N. SAI 16OCT01	
MATERIAL 材料 PBT	FINISH 仕上 SEE TABLE	PRODUCT SPEC 製品規格 108-5660	NAME 名称 4POSITION CAP ASSEMBLY 025 IDC CONNECTOR
		APPLICATION SPEC 取付適用規格 114-5276, 114-5291	SIZE A3
		WEIGHT 3.1g	CAGE CODE 00779
		CUSTOMER DRAWING	DRAWING NO C-1473790
			RESTRICTED TO
		SCALE 尺度 2:1	SHEET 1 OF 1
			REV 0