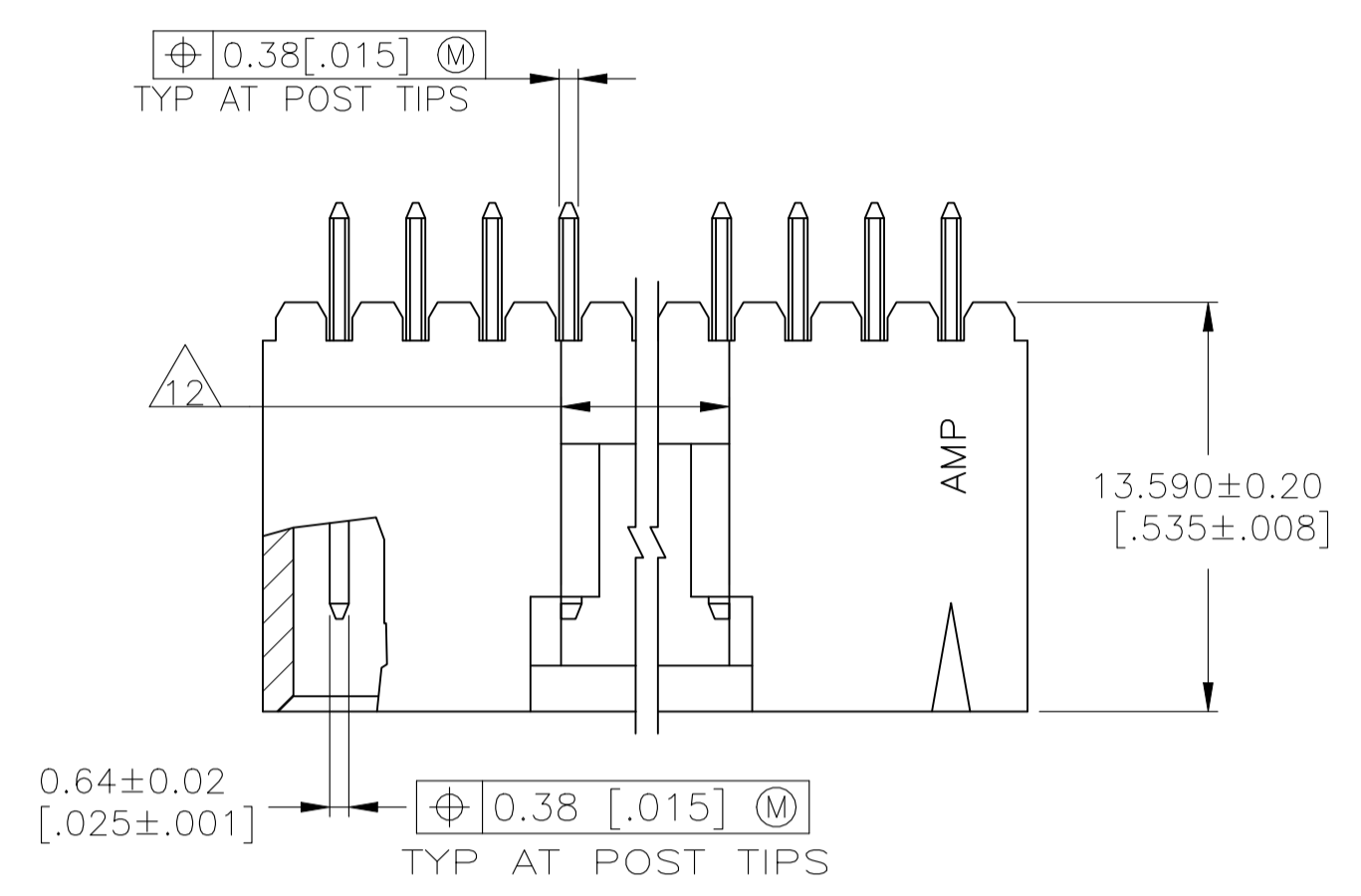
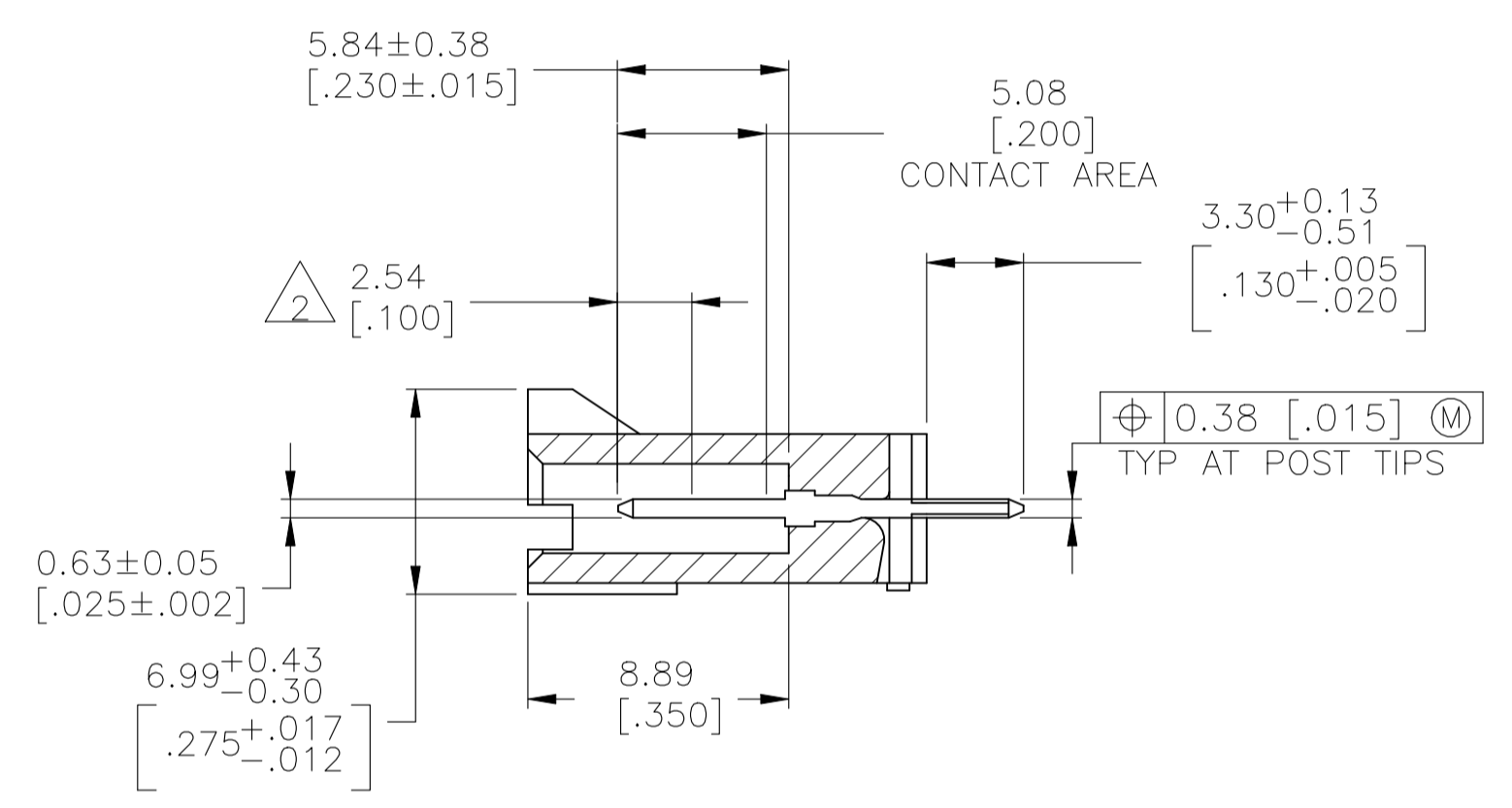
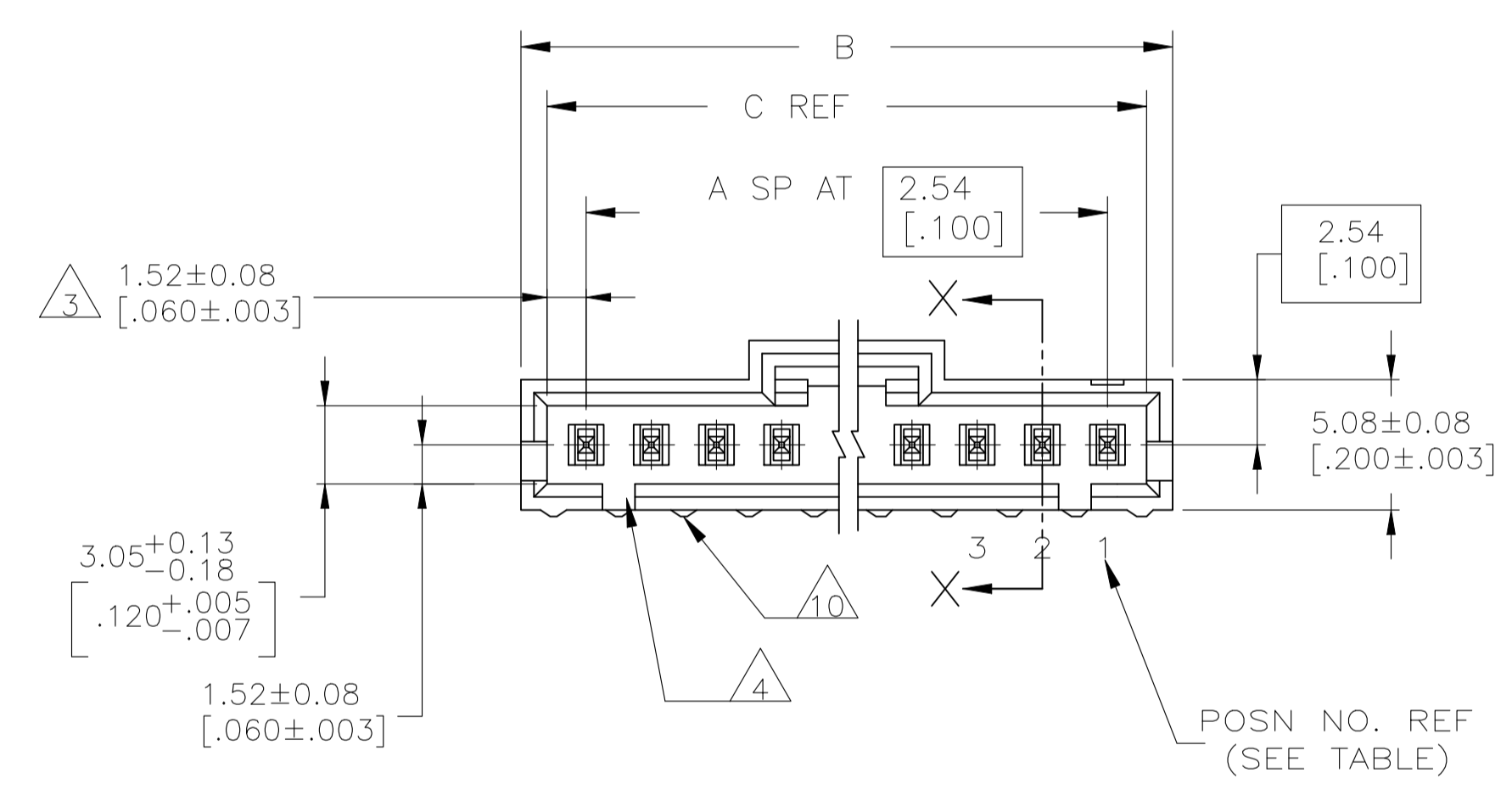


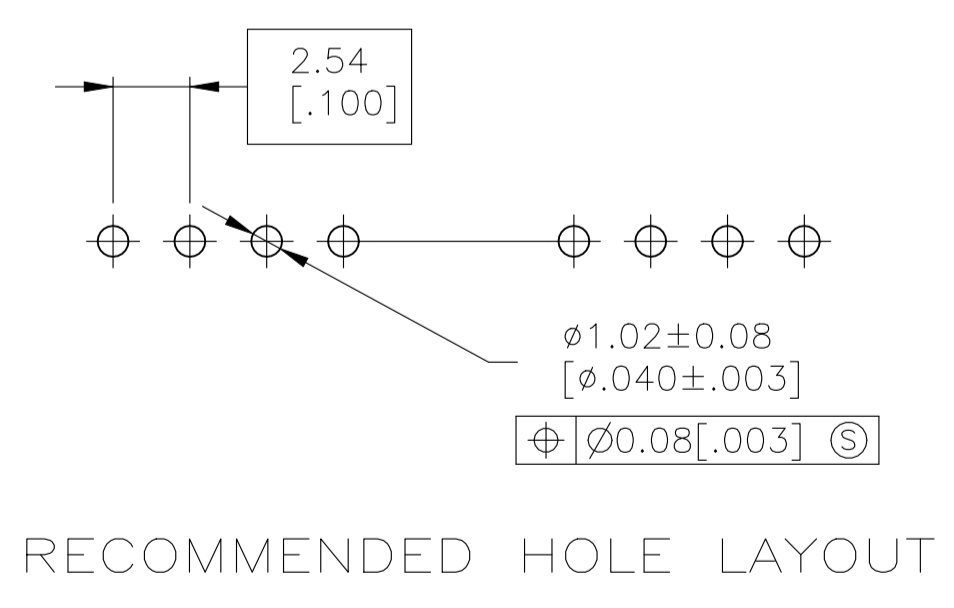
REVISIONS					
REV	DATE	BY	CHK	APPV	DESCRIPTION
G	05JUN2020	SB	JO		REVISED PER ECO-20-001327



DETAIL Z
POST DETAIL TYP
2 POST MINIMUM



SECTION X-X



- 1 .00038[.000015] GOLD IN THE CONTACT AREA, .00254[.000100] MATTE TIN-LEAD ON REMAINDER OF CONTACT, ALL OVER .00127[.000050] NICKEL.
- 2 POINT OF MEASUREMENT FOR PLATING THICKNESS.
- 3 THE NOTED DIMENSIONS APPLY AT THE INTERSECTION OF THE POST AND THE HOUSING.
- 4 ON ASSEMBLIES WITH FOUR OR MORE POSITIONS, TWO POLARIZATION SLOTS. ON ASSEMBLIES WITH TWO OR THREE POSITIONS, ONE POLARIZATION SLOT.
- 5 HOUSING: FLAME RETARDANT LCP, COLOR-BLACK. CONTACTS: BRASS.
- 6 SELECT POST TAILS FORMED TO PROVIDE CONNECTOR HOLD-DOWN UNTIL SOLDERED. CONFIGURATION ACCEPTS 0.69-2.03 [.027-.080] THICK PRINTED CIRCUIT BOARD.
- 7 PRELIMINARY PART-NOT RELEASED FOR PRODUCTION.
- 8 .00038[.000015] GOLD IN THE CONTACT AREA, .00254[.000100] MATTE TIN ON REMAINDER OF CONTACT, ALL OVER .00127[.000050] NICKEL.
- 9 HIGH TEMPERATURE CONFIGURATION.
- 10 STANDOFFS NOT PRESENT ON UNDERSIDE OF ASSEMBLY.
- 11 OBSOLETE PARTS: OBSOLETE CIS STREAMLINING PER D.RENAUD/D.SINISI
- 12 0.25 [.010] RECESS PERMISSIBLE IN THIS AREA FOR MOLD SHUT OFF

REV	DATE	BY	CHK	APPV	DESCRIPTION	NO. OF POSN	PART NO.	
11	7				OBSOLETE	5,7,9,11,14,17	48.77 [1.920] 50.67 [1.995] 18 19 -5-147321-4-	
11					OBSOLETE	3,6,9,12,15	43.69 [1.720] 45.59 [1.795] 16 17 -5-147321-3-	
11	7				OBSOLETE	2,3,4,5,6	18.29 [0.720] 20.19 [0.795] 6 7 -5-147321-2-	
11					OBSOLETE	4,5	25.91 [1.020] 27.81 [1.095] 9 10 -5-147321-1-	
7						19	51.31 [2.020] 53.21 [2.095] 19 20 147321-6	
7						2	41.15 [1.620] 43.05 [1.695] 15 16 147321-5	
7						5,7,9,11,14,17	48.77 [1.920] 50.67 [1.995] 18 19 147321-4	
						3,6,9,12,15	43.69 [1.720] 45.59 [1.795] 16 17 147321-3	
7						2,3,4,5,6	18.29 [0.720] 20.19 [0.795] 6 7 147321-2	
11					OBSOLETE	4,5	25.91 [1.020] 27.81 [1.095] 9 10 -147321-1-	
					REMARKS	PLATING	POST NUMBER OMITTED	C B A NO. OF POSN PART NO.

THIS DRAWING IS A CONTROLLED DOCUMENT.

DIMENSIONS: mm [INCHES]

TOLERANCES UNLESS OTHERWISE SPECIFIED:

0. PLC	±	-
1. PLC	±	-
2. PLC	±	-
3. PLC	±	0.13[.005]
4. PLC	±	-
ANGLES	±	-

MATERIAL: SEE TABLE

FINISH: SEE TABLE

APPROVED: J. MOSIER

DATE: 12OCT99

TE Connectivity

HDR ASSY,VERT,SINGLE ROW
2.54[.100]C/L.064[.025]SQPOST,WITH PLZN
RETENTIVE POSTS, SELECT LOAD,AMP,MODU MTE

SIZE: A1

WEIGHT: 00779

DRAWING NO: 147321

CUSTOMER DRAWING

SCALE: 4:1

SHEET: 1 of 1

REV: G