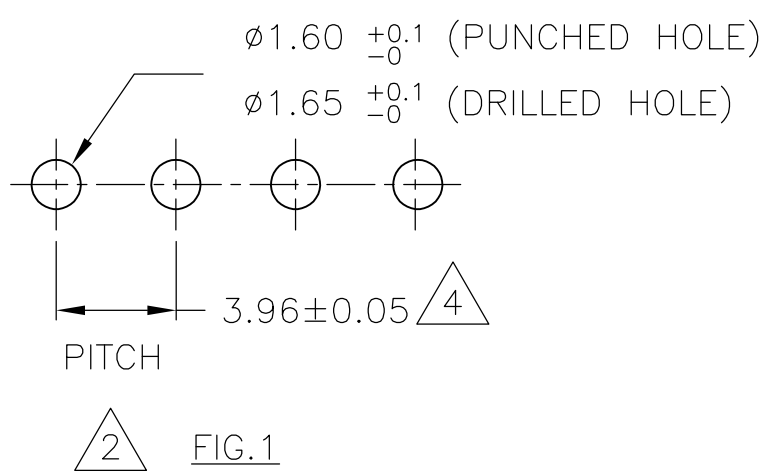
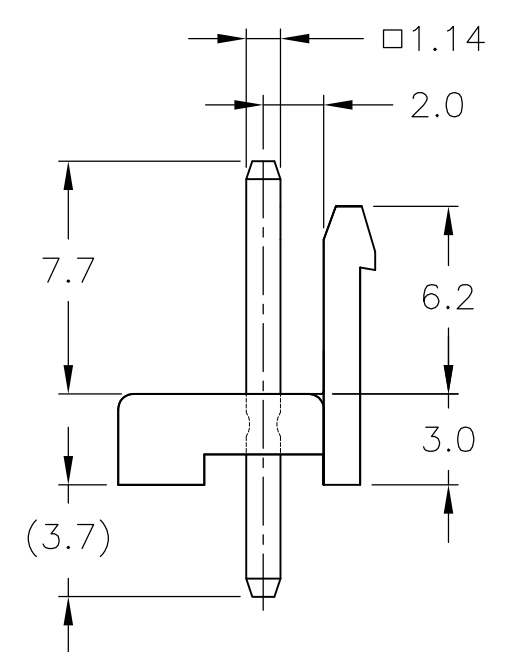
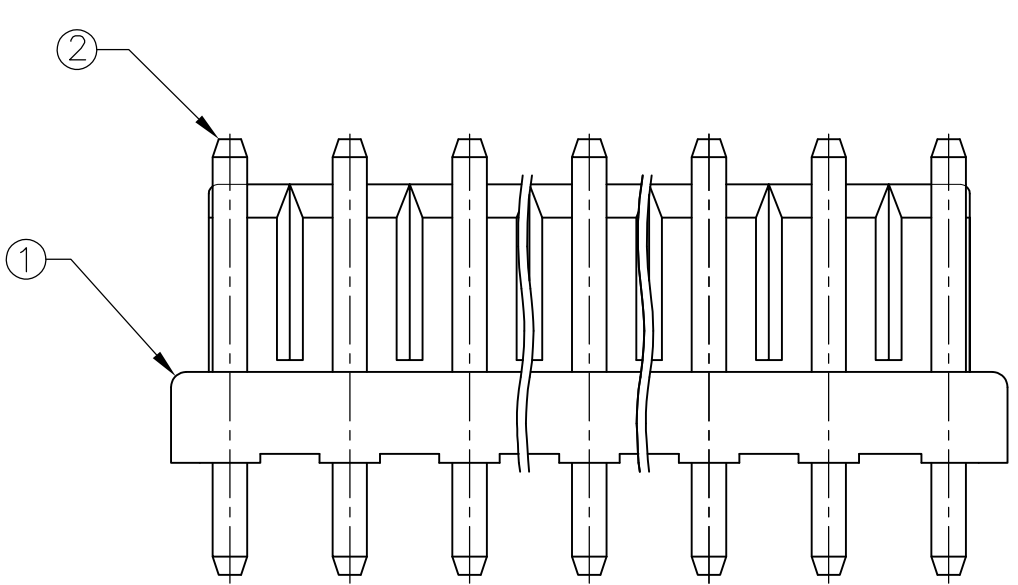
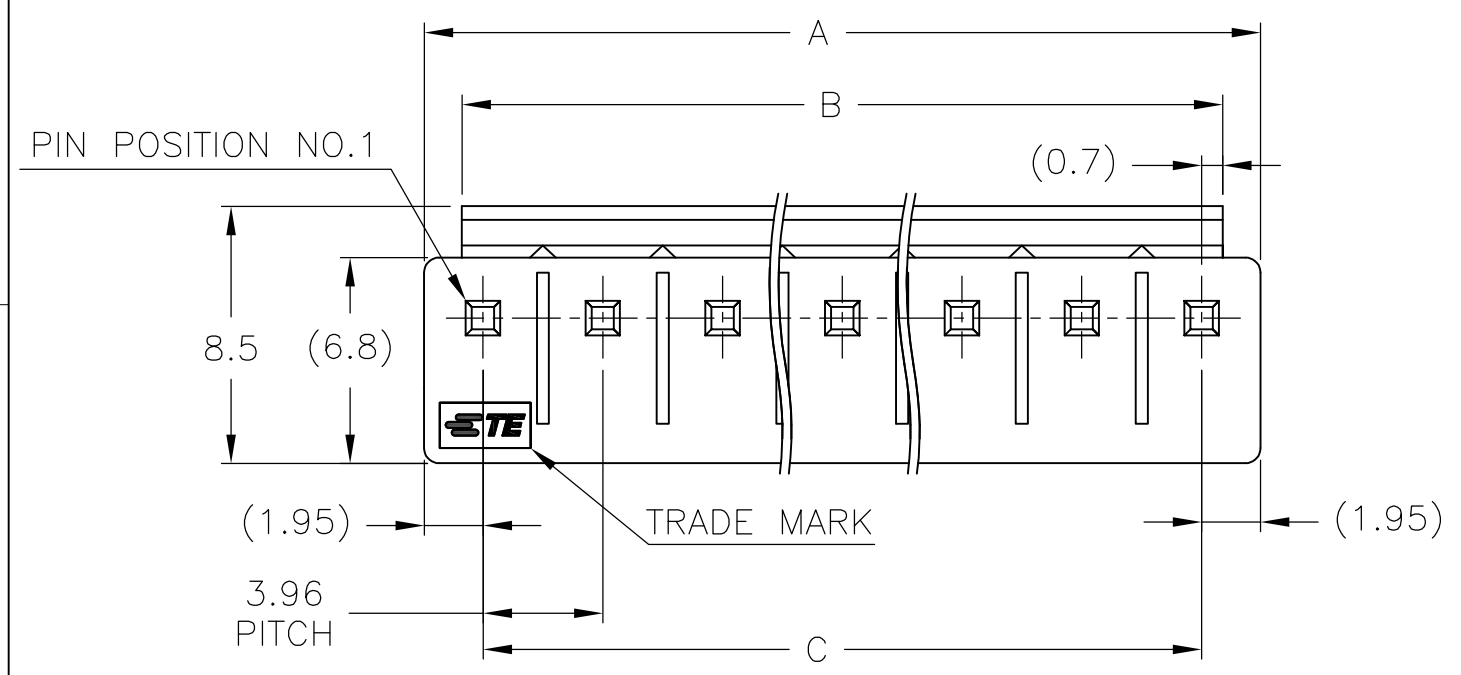


THIS DRAWING IS UNPUBLISHED. RELEASED FOR PUBLICATION  
 © COPYRIGHT - By - ALL RIGHTS RESERVED.

LOC	DIST	REVISIONS			
P	LTR	DESCRIPTION	DATE	DWN	APVD
J	-	B2	REVISED PER ECR-14-007279	04SEP2014	NK TM



- 1 MATING CONN P/N: □-1123722-□
- 2 APPLICABLE P.C.B LAYOUT: SEE FIG. 1
- 3 APPLICABLE P.C.B THICKNESS: 1.60
- 4 SKETCHES SHOW NO PINS MISSING.
- 5 COMPLY WITH GLOW WIRE REQUIREMENTS FOR PARTS OF NON-METALIC MATERIAL SUPPORTING A CURRENT CARRYING CONNECTION DETAILED IN IEC 60335-1 SECTION 30 (GWT [GLOW WIRE TEST]) 750° SPEC.
- 6 PIN: POST TIN OVER BRASS
- 7 HOUSING: PBT, 30% GLASS, UL94-V0.
- 8 ○ : WITH PIN,  
X : WITHOUT PIN.
- 9 HOUSING: NYLON, 15% GLASS, UL94-V2
- 10 PRELIMINARY - NOT FOR PRODUCTION


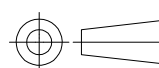
THIS DRAWING IS A CONTROLLED DOCUMENT.		DWN 17JUL2014 NAGALAKSHMI K		TE Connectivity	
DIMENSIONS: mm		CHK 17JUL2014 MICHIELUTTI THOMAS			
TOLERANCES UNLESS OTHERWISE SPECIFIED:		APVD 17JUL2014 MICHIELUTTI THOMAS		PRODUCT SPEC 108-5609	
0 PLC 5 ≥ ± 0.3 1 PLC 5 < ± 0.4 2 PLC ± 3 PLC ± 4 PLC ± ANGLES ±		APPLICATION SPEC -		SIZE A3	
MATERIAL SEE TABLE 1		FINISH -		CAGE CODE 00779	
		WEIGHT -		DRAWING NO C-1473058	
		CUSTOMER DRAWING		RESTRICTED TO -	
		SCALE 4:1		SHEET 1 OF 2	
				REV B2	

THIS DRAWING IS UNPUBLISHED. RELEASED FOR PUBLICATION  
 © COPYRIGHT - By - ALL RIGHTS RESERVED.

LOC	DIST	REVISIONS					
J	-	P	LTR	DESCRIPTION	DATE	DWN	APVD
		-		SEE SHEET 1	-	-	-

NO	7	○	×	○	○	○	×	○	○	○	○	○	43.50	44.96	47.46	NATURAL	12	10	2-1473058-2	
		○	○	○	○	○	×	○	○	○	×	○	39.60	41.00	43.50	NATURAL	11	10	1- ↑ -1	
		○	○	○	○	○	○	○	×	○	○	35.64	37.04	39.54	NATURAL	10	10	1- ↓ -0		
		○	×	○	○	○	×	/	/	/	/	/	/	19.80	21.20	23.70	NATURAL	6	10	3- ↓ -6
		○	○	○	×	○	○	/	/	/	/	/	/	NATURAL	10	1-1473058-6				
YES	9	○	×	○	×	×	○	/	/	/	/	/	/	/	NATURAL			7-1473058-3		
NO	7	○	×	○	×	×	○	/	/	/	/	/	/	/	NATURAL			1-1473058-3		
GWT 5	HOUSING MATERIAL	1	2	3	4	5	6	7	8	9	10	11	12	C	B	A	HOUSING COLOR	POS	PART NUMBER	
		POST POSITION 8										DIMENSION								

THIS DRAWING IS A CONTROLLED DOCUMENT.

DIMENSIONS: mm	TOLERANCES UNLESS OTHERWISE SPECIFIED:	DWN 17JUL2014 NAGALAKSHMI K	 <b>TE Connectivity</b>			
	0 PLC 5 $\geq$ ± 0.3	CHK 17JUL2014 MICHIELUTTI THOMAS				
	1 PLC 5<± 0.4	APVD 17JUL2014 MICHIELUTTI THOMAS				
MATERIAL SEE TABLE 6	FINISH 6	PRODUCT SPEC 108-5609		NAME 3.96MM PITCH ECONOMY POWER(EP) CONN HEADER ASSY		
		APPLICATION SPEC -	SIZE A3	CAGE CODE 00779	DRAWING NO C-1473058	RESTRICTED TO -
		WEIGHT -	CUSTOMER DRAWING	SCALE -	SHEET 2 OF 2	REV B2