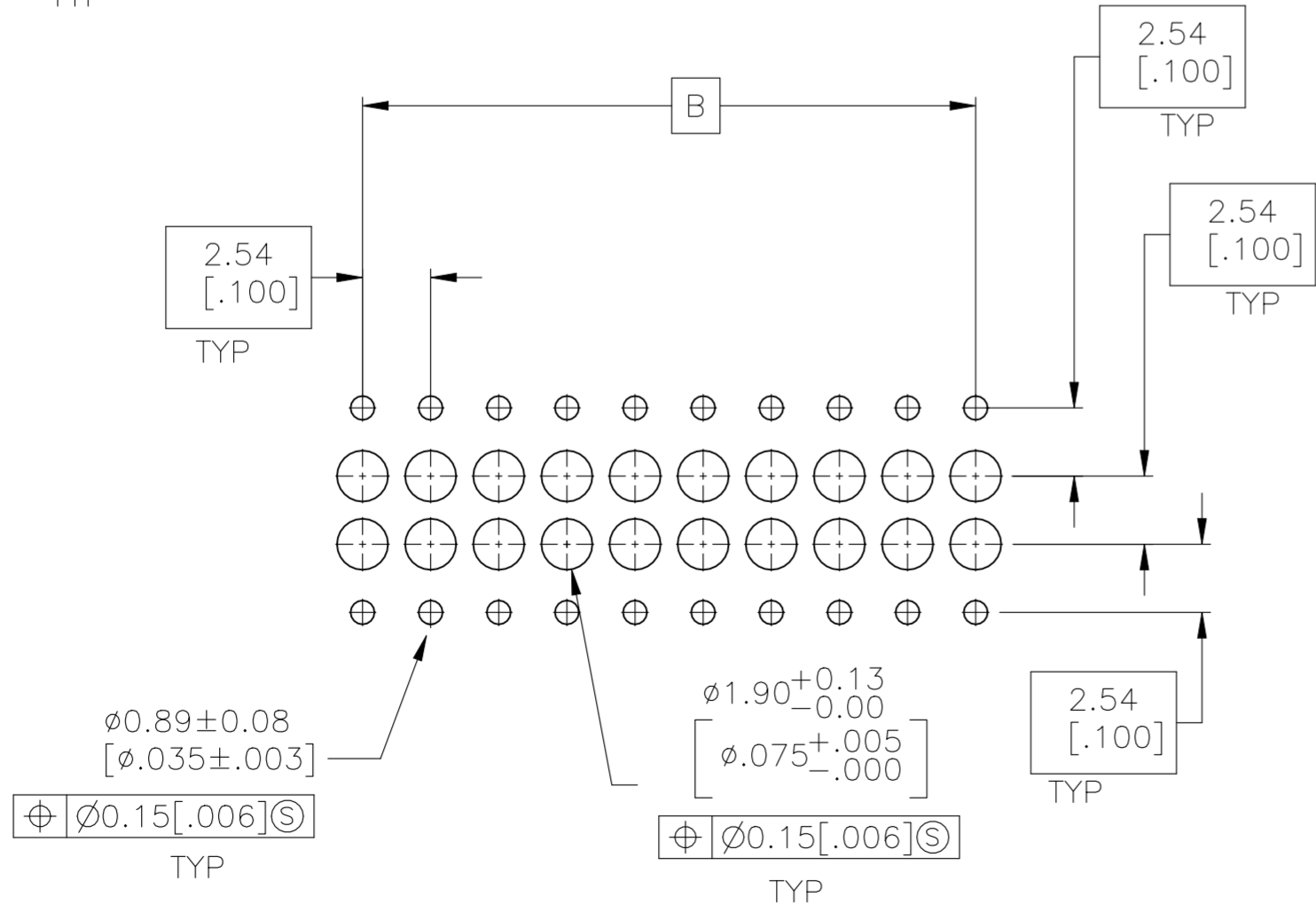
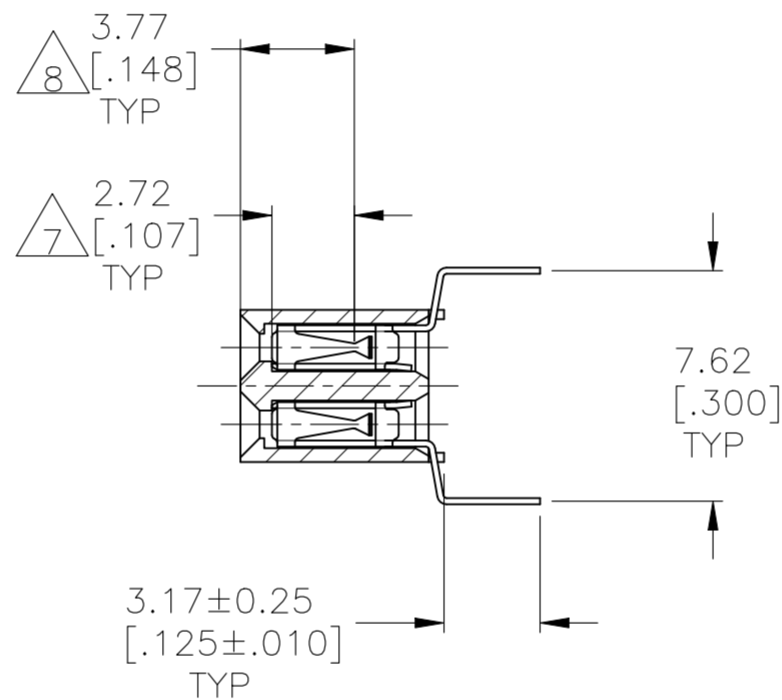
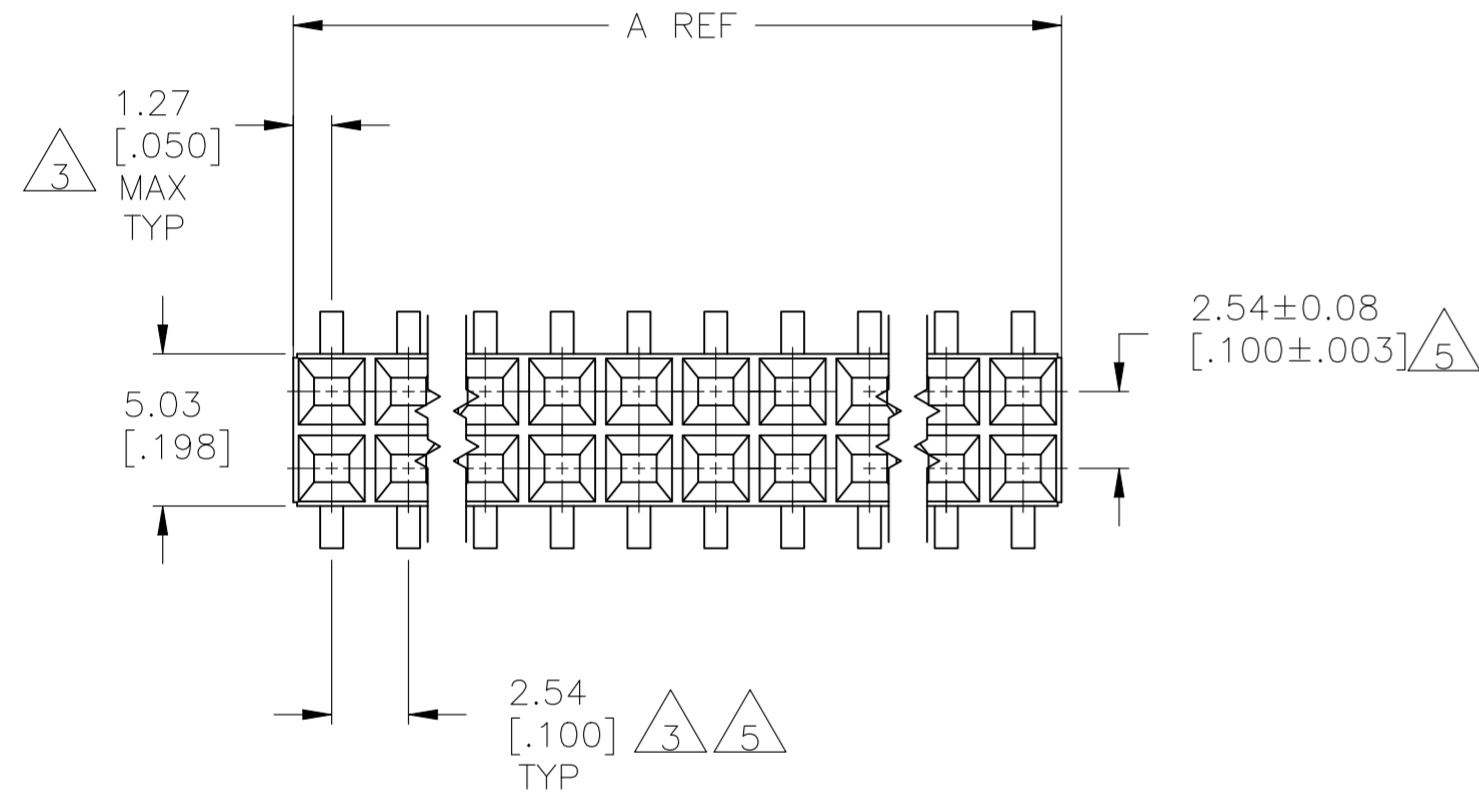
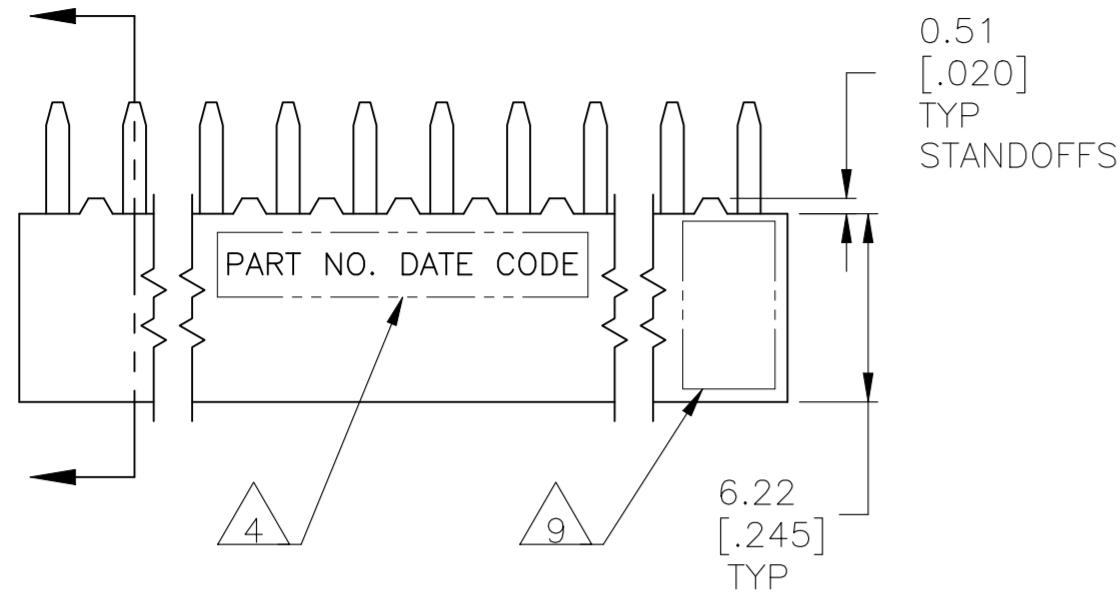


REVISIONS				
P	LTR	DESCRIPTION	DATE	APVD
G		RESIN SUPPLIER CHANGE FOR THE HOUSING	02DEC2021	SCB KJK



RECOMMENDED PC BOARD HOLE PATTERN
PC BOARD THICKNESS 1.57[.062]

- 1 HOUSING: FLAME RETARDANT, GLASS FILLED, POLYESTER, COLOR: BLACK. CONTACT: PHOSPHOR BRONZE
- 2 CONTACT: DUPLEX PLATED 0.25μm[.000010] MIN GOLD IN CONTACT AREA, 3.81–7.62μm[.000150–.000300] BRIGHT TIN–LEAD ON LEADS, ALL OVER 1.27μm[.000050] MINIMUM NICKEL.
- 3 THESE DIMENSIONS PERTAIN TO CAVITY CENTERLINES ONLY – NOT TO CONTACT LOCATIONS
- 4 PART NUMBER AND DATE CODE ARE MARKED IN APPROXIMATE LOCATION SHOWN, EITHER SIDE.
- 5 TOLERANCE IS NON-CUMULATIVE.
- 6 2 POSITION DATE CODE IS MARKED OPPOSITE SIDE OF TE LOGO.
- 7 POINT-OF-MEASUREMENT DIMENSION FOR PLATING THICKNESS (INSIDE CONTACT BEAM).
- 8 POINT-OF-CONTACT DIMENSION.
- 9 TE LOGO AND CSA LOGO ARE MOLDED INTO HOUSING.
- 10 NO PART NUMBER MARKING REQUIRED FOR THIS PART.
- 11 CONTACT: DUPLEX PLATED 0.25 MICROMETERS [.000010] MIN GOLD IN CONTACT AREA, 3.81–7.62 MICROMETERS [.000150–.000300] MATTE TIN ON LEADS, ALL OVER 1.27 MICROMETERS [.000050] MINIMUM NICKEL.
- 12 ROHS 2002/95/EC COMPLIANT

THIS DRAWING IS A CONTROLLED DOCUMENT.		DWN	M.BINNER	06NOV2002	TE Connectivity Ltd.
DIMENSIONS:		CHK	J.OLSON	06NOV02	
mm [INCHES]		APVD	J.OLSON	06NOV02	
TOLERANCES UNLESS OTHERWISE SPECIFIED:		PRODUCT SPEC		NAME	
0 PLC	± -	108-25022		AMPMODU, REC ASSY, MOD IV,	
1 PLC	± -	APPLICATION SPEC		DBL ROW, DUAL ENTRY, .100X.100CL	
2 PLC	± 0.13[.005]	114-25018		VERTICAL MOUNT	
3 PLC	± -	WEIGHT		SIZE	
4 PLC	± -	-		CAGE CODE	
ANGLES	± -	CUSTOMER DRAWING		DRAWING NO	
FINISH	1 2 11	SCALE		RESTRICTED TO	
		4:1		A2	
		SHEET		00779	
		1 of 3		C=147099	
		REV		G	

REVISIONS

P	LTR	DESCRIPTION	DATE	DWN	APVD
-		SEE SHEET 1	-	-	-


11	99.06[3.900]	101.60[4.000]	80	12	9-147099-0
11	96.52[3.800]	99.06[3.900]	78	12	8-147099-9
11	93.98[3.700]	96.52[3.800]	76	12	8-147099-8
11	91.44[3.600]	93.98[3.700]	74	12	8-147099-7
11	88.90[3.500]	91.44[3.600]	72	12	8-147099-6
11	86.36[3.400]	88.90[3.500]	70	12	8-147099-5
11	83.82[3.300]	86.36[3.400]	68	12	8-147099-4
11	81.28[3.200]	83.82[3.300]	66	12	8-147099-3
11	78.74[3.100]	81.28[3.200]	64	12	8-147099-2
11	76.20[3.000]	78.74[3.100]	62	12	8-147099-1
11	73.66[2.900]	76.20[3.000]	60	12	8-147099-0
11	71.12[2.800]	73.66[2.900]	58	12	7-147099-9
11	68.58[2.700]	71.12[2.800]	56	12	7-147099-8
11	66.04[2.600]	68.58[2.700]	54	12	7-147099-7
11	63.50[2.500]	66.04[2.600]	52	12	7-147099-6
11	60.96[2.400]	63.50[2.500]	50	12	7-147099-5
11	58.42[2.300]	60.96[2.400]	48	12	7-147099-4
11	55.88[2.200]	58.42[2.300]	46	12	7-147099-3
11	53.34[2.100]	55.88[2.200]	44	12	7-147099-2
11	50.80[2.000]	53.34[2.100]	42	12	7-147099-1
11	48.26[1.900]	50.80[2.000]	40	12	7-147099-0
11	45.72[1.800]	48.26[1.900]	38	12	6-147099-9
11	43.18[1.700]	45.72[1.800]	36	12	6-147099-8
11	40.64[1.600]	43.18[1.700]	34	12	6-147099-7
11	38.10[1.500]	40.64[1.600]	32	12	6-147099-6
11	35.56[1.400]	38.10[1.500]	30	12	6-147099-5
11	33.02[1.300]	35.56[1.400]	28	12	6-147099-4
11	30.48[1.200]	33.02[1.300]	26	12	6-147099-3
11	27.94[1.100]	30.48[1.200]	24	12	6-147099-2
11	25.40[1.000]	27.94[1.100]	22	12	6-147099-1
11	22.86[.900]	25.40[1.000]	20	12	6-147099-0
11	20.32[.800]	22.86[.900]	18	12	5-147099-9
11	17.78[.700]	20.32[.800]	16	12	5-147099-8
11	15.24[.600]	17.78[.700]	14	12	5-147099-7
11	12.70[.500]	15.24[.600]	12	12	5-147099-6
10	10.16[.400]	12.70[.500]	10	12	5-147099-5
10	7.62[.300]	10.16[.400]	8	12	5-147099-4
10	5.08[.200]	7.62[.300]	6	12	5-147099-3
10	2.54[.100]	5.08[.200]	4	12	5-147099-2
10	-	2.54[.100]	2	12	5-147099-1
FINISH	B	A	NO OF POSN	PART NUMBER	

2	99.06[3.900]	101.60[4.000]	80	12	4-147099-0
2	96.52[3.800]	99.06[3.900]	78	12	3-147099-9
2	93.98[3.700]	96.52[3.800]	76	12	3-147099-8
2	91.44[3.600]	93.98[3.700]	74	12	3-147099-7
2	88.90[3.500]	91.44[3.600]	72	12	3-147099-6
2	86.36[3.400]	88.90[3.500]	70	12	3-147099-5
2	83.82[3.300]	86.36[3.400]	68	12	3-147099-4
2	81.28[3.200]	83.82[3.300]	66	12	3-147099-3
2	78.74[3.100]	81.28[3.200]	64	12	3-147099-2
2	76.20[3.000]	78.74[3.100]	62	12	3-147099-1
2	73.66[2.900]	76.20[3.000]	60	12	3-147099-0
2	71.12[2.800]	73.66[2.900]	58	12	2-147099-9
2	68.58[2.700]	71.12[2.800]	56	12	2-147099-8
2	66.04[2.600]	68.58[2.700]	54	12	2-147099-7
2	63.50[2.500]	66.04[2.600]	52	12	2-147099-6
2	60.96[2.400]	63.50[2.500]	50	12	2-147099-5
2	58.42[2.300]	60.96[2.400]	48	12	2-147099-4
2	55.88[2.200]	58.42[2.300]	46	12	2-147099-3
2	53.34[2.100]	55.88[2.200]	44	12	2-147099-2
2	50.80[2.000]	53.34[2.100]	42	12	2-147099-1
2	48.26[1.900]	50.80[2.000]	40	12	2-147099-0
2	45.72[1.800]	48.26[1.900]	38	12	1-147099-9
2	43.18[1.700]	45.72[1.800]	36	12	1-147099-8
2	40.64[1.600]	43.18[1.700]	34	12	1-147099-7
2	38.10[1.500]	40.64[1.600]	32	12	1-147099-6
2	35.56[1.400]	38.10[1.500]	30	12	1-147099-5
2	33.02[1.300]	35.56[1.400]	28	12	1-147099-4
2	30.48[1.200]	33.02[1.300]	26	12	1-147099-3
2	27.94[1.100]	30.48[1.200]	24	12	1-147099-2
2	25.40[1.000]	27.94[1.100]	22	12	1-147099-1
2	22.86[.900]	25.40[1.000]	20	12	1-147099-0
2	20.32[.800]	22.86[.900]	18	12	147099-9
2	17.78[.700]	20.32[.800]	16	12	147099-8
2	15.24[.600]	17.78[.700]	14	12	147099-7
2	12.70[.500]	15.24[.600]	12	12	147099-6
10	10.16[.400]	12.70[.500]	10	12	147099-5
10	7.62[.300]	10.16[.400]	8	12	147099-4
10	5.08[.200]	7.62[.300]	6	12	147099-3
10	2.54[.100]	5.08[.200]	4	12	147099-2
10	-	2.54[.100]	2	6	147099-1
FINISH	B	A	NO OF POSN	PART NUMBER	

OBSOLETE

147099

THIS DRAWING IS A CONTROLLED DOCUMENT.

DWN M.BINNER 06NOV2002	 TE Connectivity Ltd.
CHK J.OLSON 06NOV02	
APVD J.OLSON 06NOV02	
PRODUCT SPEC 108-25022	
APPLICATION SPEC 114-25018	NAME AMPMODU, REC ASSY, MOD IV DBL ROW, DUAL ENTRY, .100X.100CL, VERTICAL MOUNT
MATERIAL FINISH	SIZE A2
WEIGHT CUSTOMER DRAWING	CAGE CODE 00779
	DRAWING NO C=147099
	RESTRICTED TO -
	SCALE 1:1
	SHEET 2 of 3
	REV G