

4

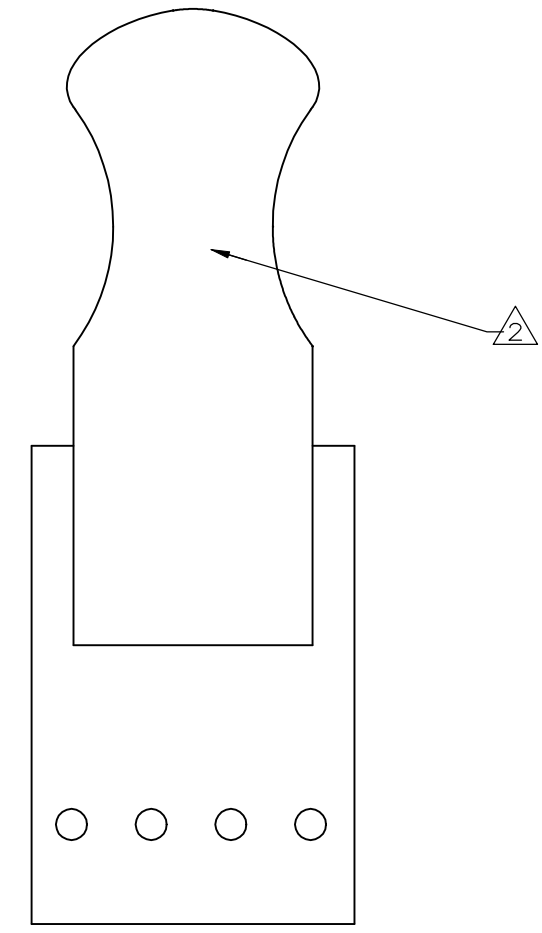
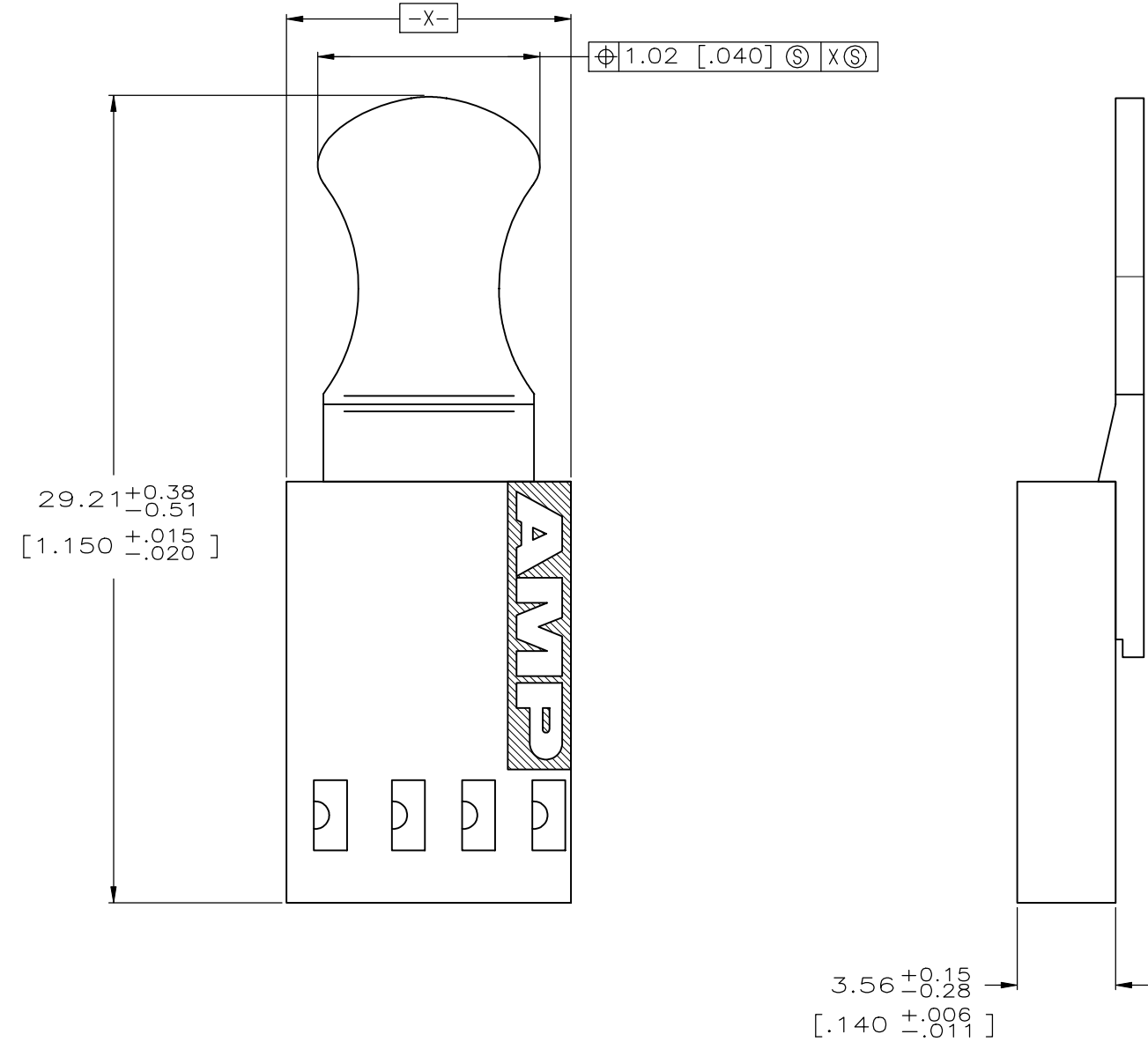
3

2

1

THIS DRAWING IS UNPUBLISHED. RELEASED FOR PUBLICATION
 © COPYRIGHT - TE Connectivity Ltd. ALL RIGHTS RESERVED.

REVISIONS					
P	LTR	DESCRIPTION	DATE	DWN	APVD
0		RELEASED	27AUG98	BH	MC
A		REV PER OG21-0277-98	14DEC98	BH	MC
B		REVISED PER ECO-18-000976	24MAY2018	RS	JO



- 1. THE STRAIN RELIEF IS ULTRASONICALLY BONDED TO THE HOUSING
- 2 MARK ASSEMBLY, THIS SIDE, WITH AMP PART NUMBER.
- 3 HOUSING & STRAIN RELIEF - FLAME RETARDANT THERMOPLASTIC, COLOR - BLACK.

4	147088-1
NO OF POSN	ASSEMBLY PART NUMBER

THIS DRAWING IS A CONTROLLED DOCUMENT.		DWN B. HAYMAKER 27AUG98	STE TE Connectivity Ltd.	
DIMENSIONS: mm [INCHES]		CHK M. CHIANG 27AUG98		
TOLERANCES UNLESS OTHERWISE SPECIFIED:		APVD M. CHIANG 27AUG98	NAME HOUSING & STRAIN RELIEF ASSY, MOD IV, SINGLE ROW, .100X.100	
0 PLC ± - 1 PLC ± - 2 PLC ± - 3 PLC ± 0.13[.005] 4 PLC ± -		PRODUCT SPEC -	APPLICATION SPEC -	
MATERIAL -		FINISH -	SIZE A2	CAGE CODE 00779
		WEIGHT -	DRAWING NO C-147088	
CUSTOMER DRAWING			SCALE 6:1	SHEET 1 of 1
			REV B	

147088