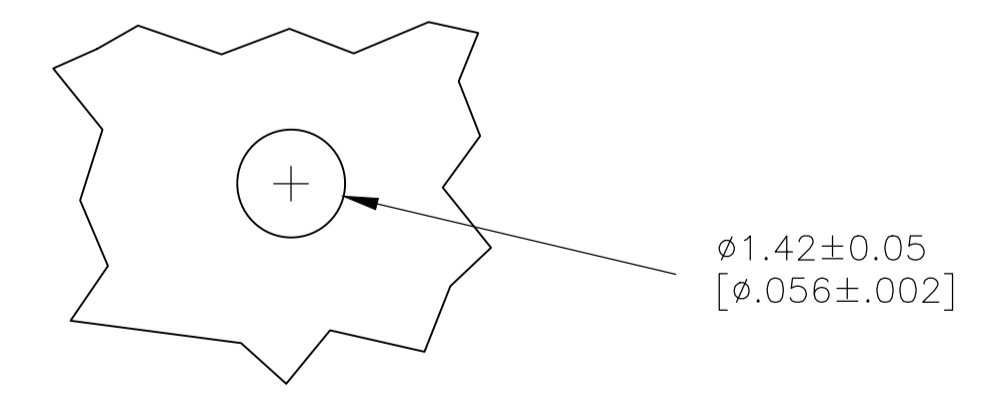
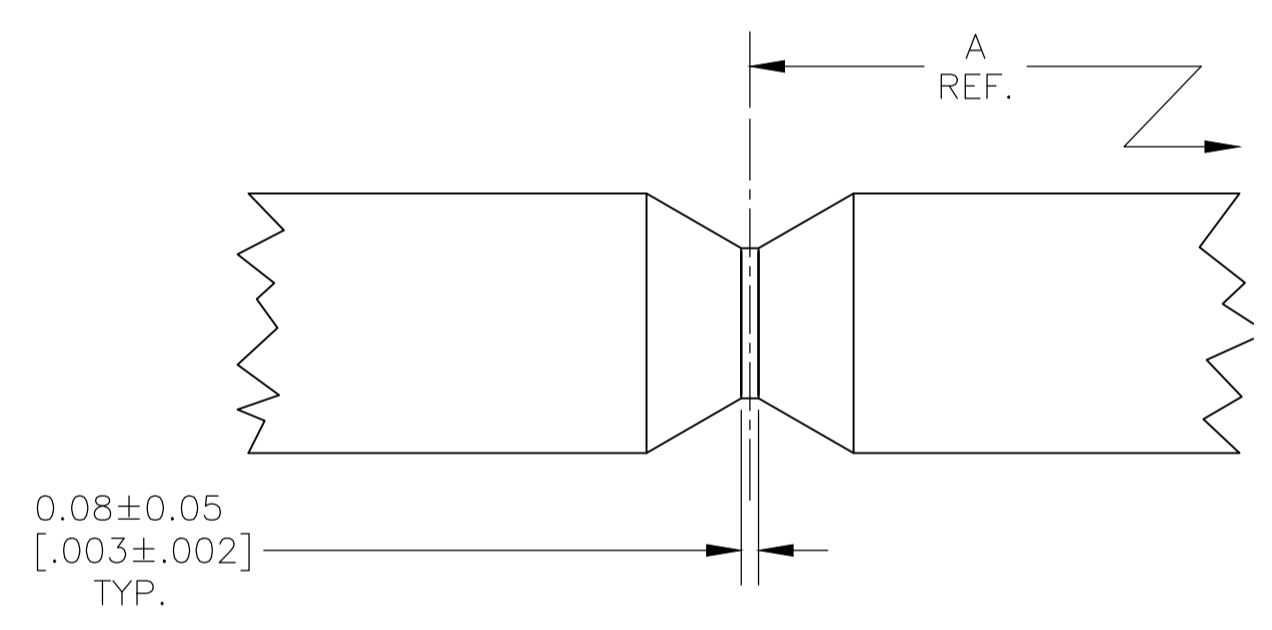
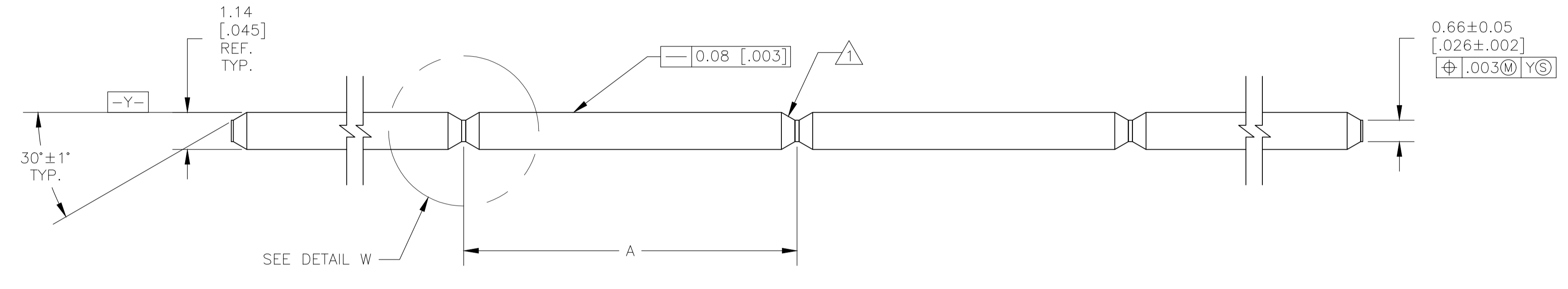


REVISIONS				
P	LTR	DESCRIPTION	DATE	BY
J3		NEW PN 7-147070-1 ADDED	24SEP2019	KJK

- 1 THE NOTCHED EDGES AND POST TIPS WILL NOT BE PLATED.
- 2 0.00254-0.00508 [.000100-.000200] MATTE TIN OVER 0.00127 [.000050] MIN NICKEL.
- 3 COPPER ALLOY UNS C26000
- 4 COPPER ALLOY UNS C21000



10.16 [.400]	7-147070-1
35.56 [1.400]	6-147070-2
25.40 [1.000]	6-147070-1
25.15 [.990]	6-147070-0
24.89 [.980]	5-147070-9
24.64 [.970]	5-147070-8
24.38 [.960]	5-147070-7
24.13 [.950]	5-147070-6
23.88 [.940]	5-147070-5
23.62 [.930]	5-147070-4
23.37 [.920]	5-147070-3
23.11 [.910]	5-147070-2
22.86 [.900]	5-147070-1
22.61 [.890]	5-147070-0
22.35 [.880]	4-147070-9
22.10 [.870]	4-147070-8
21.84 [.860]	4-147070-7
21.59 [.850]	4-147070-6
21.34 [.840]	4-147070-5
21.08 [.830]	4-147070-4
20.83 [.820]	4-147070-3
20.57 [.810]	4-147070-2
20.32 [.800]	4-147070-1
20.07 [.790]	4-147070-0
19.81 [.780]	3-147070-9
19.56 [.770]	3-147070-8
19.30 [.760]	3-147070-7
19.05 [.750]	3-147070-6
18.80 [.740]	3-147070-5
18.54 [.730]	3-147070-4
18.28 [.720]	3-147070-3
18.03 [.710]	3-147070-2
17.78 [.700]	3-147070-1
17.53 [.690]	3-147070-0
17.27 [.680]	2-147070-9
17.02 [.670]	2-147070-8
16.76 [.660]	2-147070-7
16.51 [.650]	2-147070-6
16.26 [.640]	2-147070-5
16.00 [.630]	2-147070-4
15.75 [.620]	2-147070-3
15.49 [.610]	2-147070-2
15.24 [.600]	2-147070-1
14.99 [.590]	2-147070-0
14.73 [.580]	1-147070-9
14.48 [.570]	1-147070-8
14.22 [.560]	1-147070-7
13.97 [.550]	1-147070-6
13.72 [.540]	1-147070-5
13.46 [.530]	1-147070-4
13.21 [.520]	1-147070-3
12.95 [.510]	1-147070-2
12.70 [.500]	1-147070-1
12.45 [.490]	1-147070-0
12.19 [.480]	1-147070-9
11.94 [.470]	1-147070-8
11.68 [.460]	1-147070-7
11.43 [.450]	1-147070-6
11.18 [.440]	1-147070-5
10.92 [.430]	1-147070-4
10.67 [.420]	1-147070-3
10.41 [.410]	1-147070-2
10.16 [.400]	147070-1

3 OBSOLETE

THIS DRAWING IS A CONTROLLED DOCUMENT.

DIMENSIONS: INCHES	TOLERANCES UNLESS OTHERWISE SPECIFIED:	0 PLC ± -	1 PLC ± -	2 PLC ± -	3 PLC ± 0.13 [.005]	4 PLC ± -	ANGLES ± -
--------------------	--	-----------	-----------	-----------	---------------------	-----------	------------

MATERIAL: - FINISH: 2

DIN: B. HAYMAKER 23JUN00 CHK: M. CHIANG 4SEP98 APD: M. CHIANG 4SEP98 NAME: .045 SQUARE CONTINUOUS POST, TIN APPLICATION SPEC: 114-13011 WEIGHT: - CUSTOMER DRAWING	SIZE: A1 CAGE CODE: 00779 DRAWING NO: 147070 SCALE: 10:1 SHEET: 1 OF 1 REV: J3	PART NO. 147070-1 TE Connectivity RESTRICTED TO
--	---	---