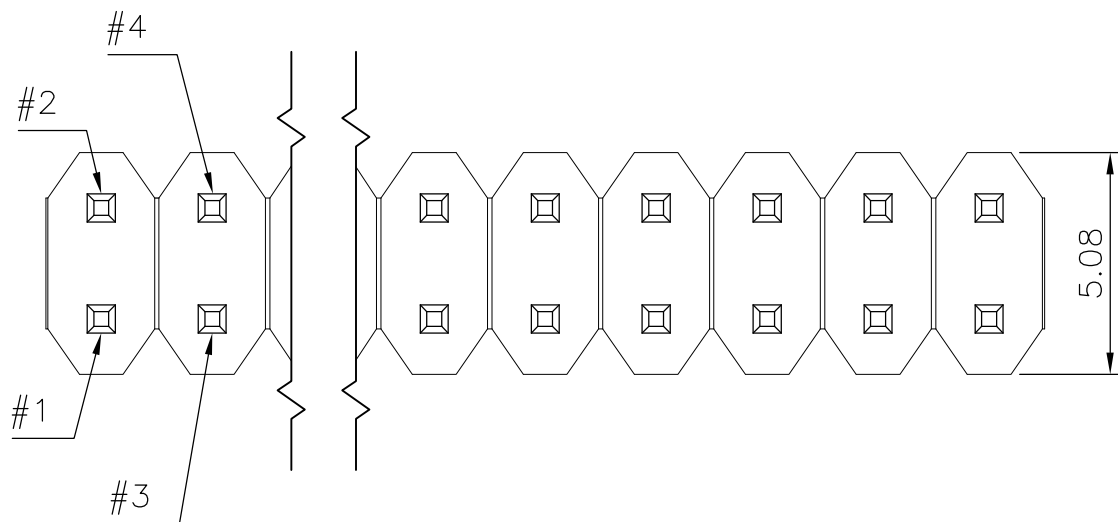


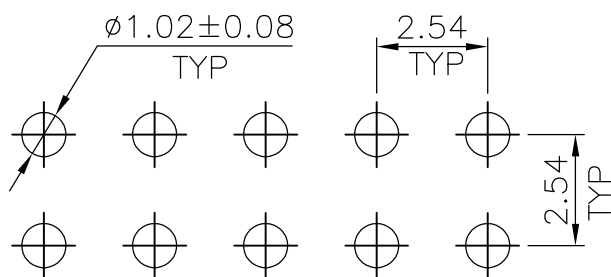
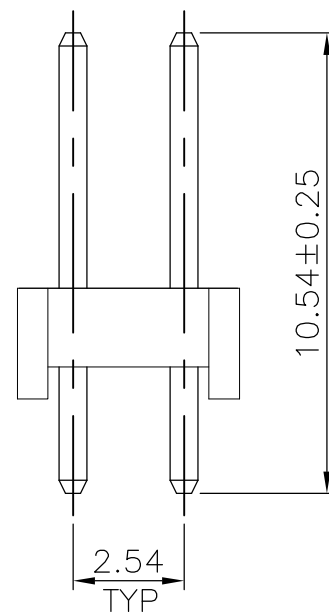
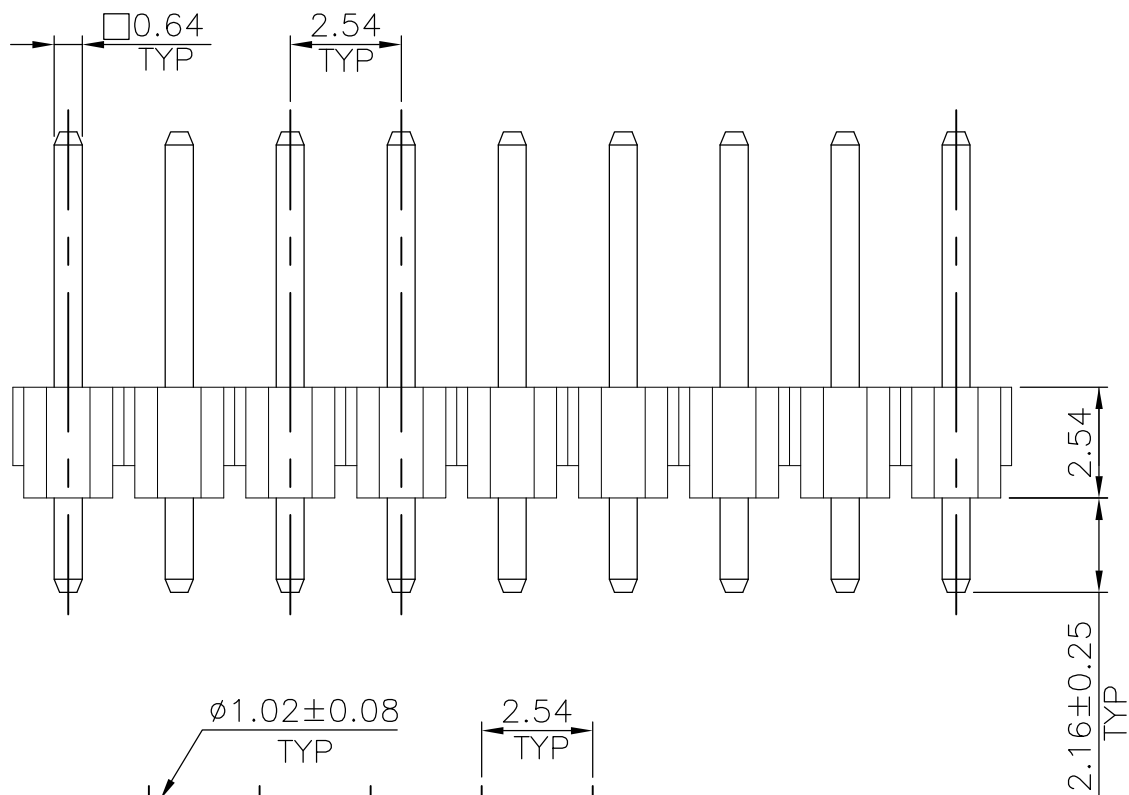
THIS DRAWING IS UNPUBLISHED. RELEASED FOR PUBLICATION AUG ,2006.
 © COPYRIGHT - BY TYCO ELECTRONICS CORPORATION. ALL RIGHTS RESERVED.

LOC	DIST	REVISIONS			
P	LTR	DESCRIPTION	DATE	DWN	APVD
	C	REVISED (ECR-09-014078)	05JUN09	BH	WK
	C1	REVISED PER ECO-10-000443	18JAN10	KK	HMR



- NOTE:
- MATERIAL:
HOUSING: THERMOPLASTIC(PBT), UL 94V-0, COLOR: BLACK.
POSTS: BRASS, 0.64 SQUARE
 - FINISH:
POSTS: GOLD FLASH PLATED OVERALL
1.27um [50u"] MIN. NICKEL ON ENTIRE POST.
 - WAVE SOLDER CAPABLE TO 240°C IN ACCORDANCE WITH TEST SPECIFICATION 109-202, METHOD A

△ OBSOLETE PARTS: OBSOLETE CIS STREAMLINING PER D.RENAUD/D.SINISI



RECOMMENDED PCB LAYOUT
(TOLERANCE: ±0.05)

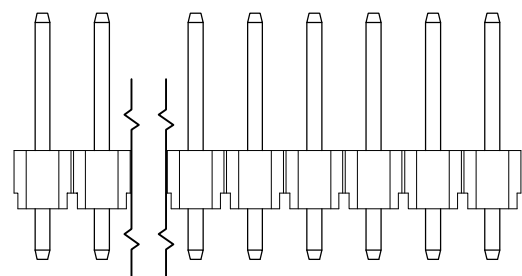
REV	NO. OF POS.	PART NUMBER
OBSOLETE	-	6 1470004-7
	10 th , 14 th	16 1470004-6
△ OBSOLETE	10 th	20 1470004-5
	10 th	10 1470004-4
	8 th	10 1470004-3
	3 rd	6 1470004-2
	2 nd	10 1470004-1
	LACK PIN	NO. OF POS. PART NUMBER

THIS DRAWING IS A CONTROLLED DOCUMENT.		DWN B. HSING 07JUL2009	Tyco Electronics Corporation Tyco Electronics Taipei, Taiwan		
DIMENSIONS: MM		CHK S. CHIEN 07JUL2009	NAME		
TOLERANCES UNLESS OTHERWISE SPECIFIED:		APVD W. KODAMA 07JUL2009	BREAKAWAY HEADERS, 2.54 CENTERS, SQUARE, STRAIGHT-ANGLE, DOUBLE-ROW		
0 PLC ± -		PRODUCT SPEC	SIZE	CAGE CODE	DRAWING NO
1 PLC ± 0.30		APPLICATION SPEC	A3	00779	C=1470004
2 PLC ± 0.20		WEIGHT	RESTRICTED TO		
3 PLC ± 0.15			-		
4 PLC ± -			SCALE	SHEET	REV
ANGLES ± 3°			-	1 OF 2	C1
MATERIAL SEE NOTE	FINISH SEE NOTE	CUSTOMER DRAWING			

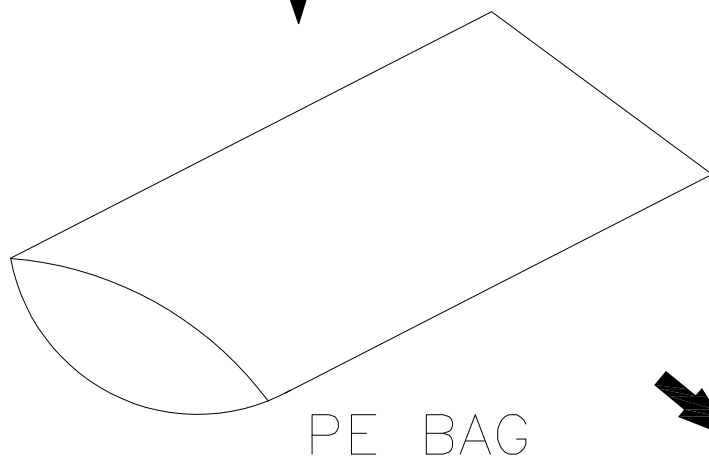
LOC DW DIST

REVISIONS

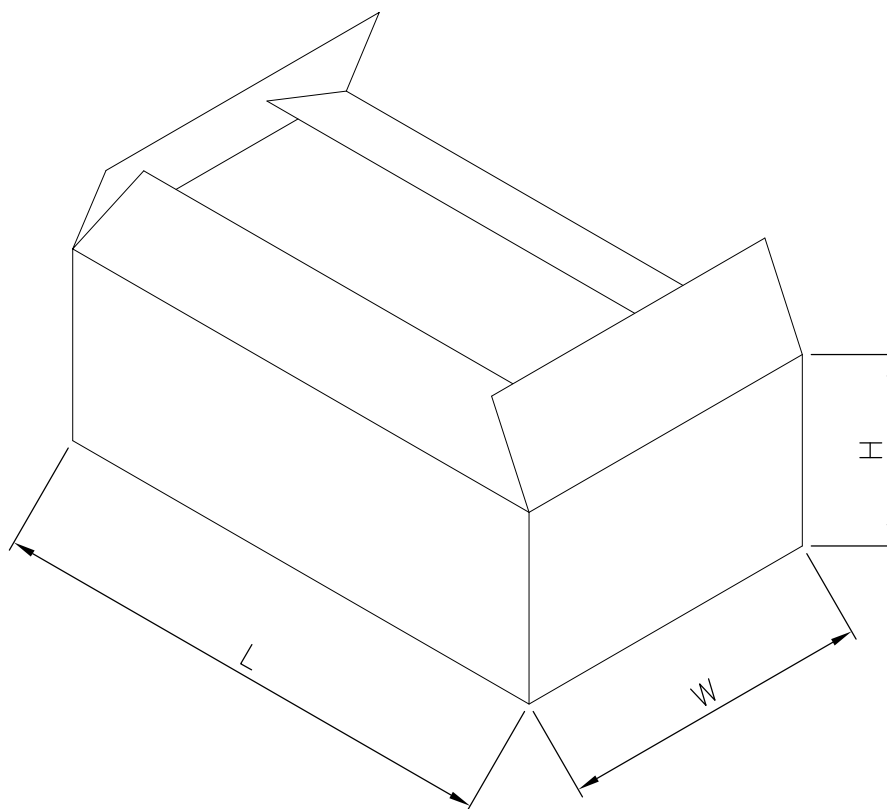
P	LTR	DESCRIPTION	DATE	DWN	APVD
		SEE SHEET 1.			



PRODUCT



PE BAG



NOTES :

1. MATERIAL:
 - 1.1 BAG: PE
 - 1.2 SHIPPING CARTON: CORRUGATED FIBER
2. DIMENSION:
 - 2.1 BAG: L=225, W=160, H=0.07
 - 2.2 SHIPPING CARTON: L=362, W=272, H=160
3. QUANTITY:
 - 3.1 PRIMARY PACKING: SEE TABLE
 - 3.2 SECONDARY PACKING: SEE TABLE
4. WEIGHT:
 - 4.2 NET WEIGHT: SEE TABLE
 - 4.1 GROSS WEIGHT: SEE TABLE

5 OBSOLETE PARTS: OBSOLETE CIS STREAMLINING PER D.RENAUD/D.SINISI

	OBSOLETE	5.1348	4.5648	15	1000	1470004-7
		6.1284	5.5584	15	500	1470004-6
5	OBSOLETE	7.914	7.344	15	500	1470004-5
		7.65	7.08	15	1000	1470004-4
		7.65	7.08	15	1000	1470004-3
		4.6068	4.0368	15	1000	1470004-2
		7.65	7.08	15	1000	1470004-1
	G.W.(KG)	N.W.(KG)	BAG/BOX	PCS/BAG	PART NUMBER	

THIS DRAWING IS A CONTROLLED DOCUMENT.		DWN	Tyco Electronics Corporation Taipei, Taiwan		
DIMENSIONS: MM		CHK	NAME		
TOLERANCES UNLESS OTHERWISE SPECIFIED:		APVD	BREAKAWAY HEADERS, 2.54 CENTERS, SQUARE, STRAIGHT-ANGLE, DOUBLE-ROW		
0 PLC ± -		PRODUCT SPEC	SIZE	CAGE CODE	DRAWING NO
1 PLC ± -		APPLICATION SPEC	A3	00779	1470004
2 PLC ± -		WEIGHT	RESTRICTED TO		
3 PLC ± -			CUSTOMER DRAWING		
4 PLC ± -			SCALE	SHEET	REV
ANGLES ± -			-	2 OF 2	C1
FINISH					