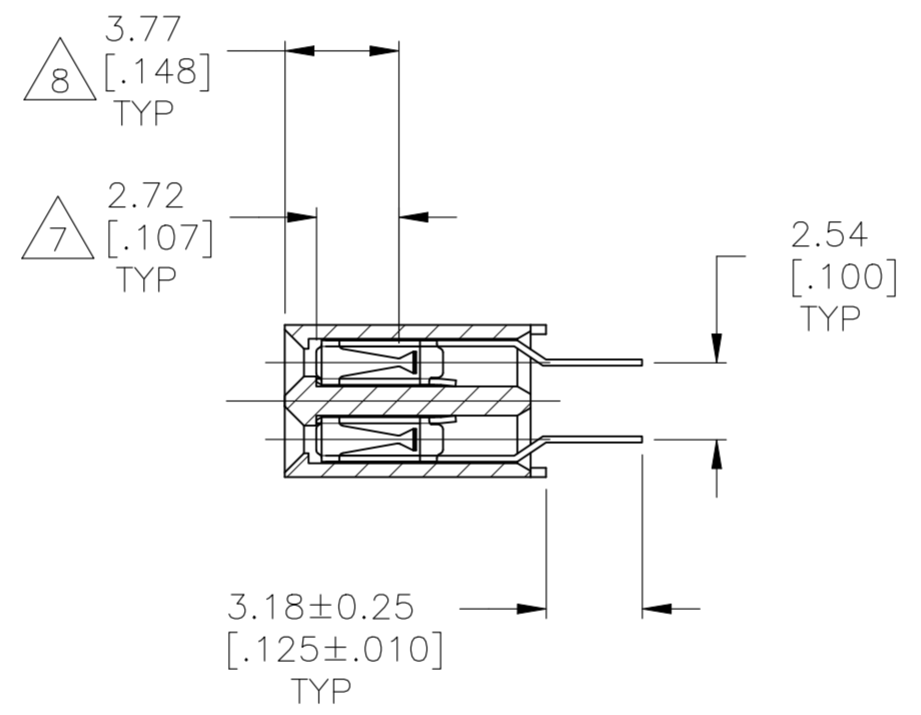
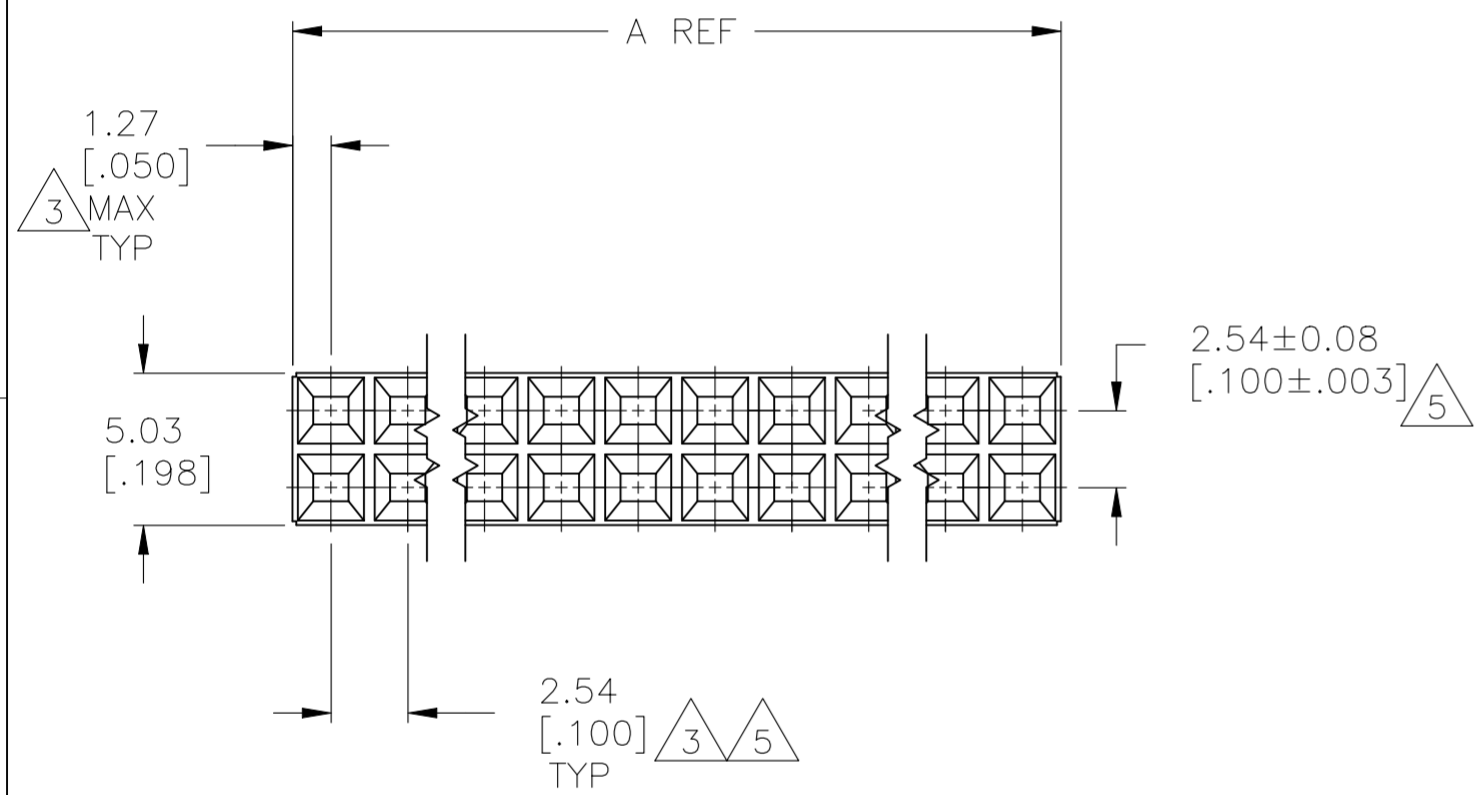
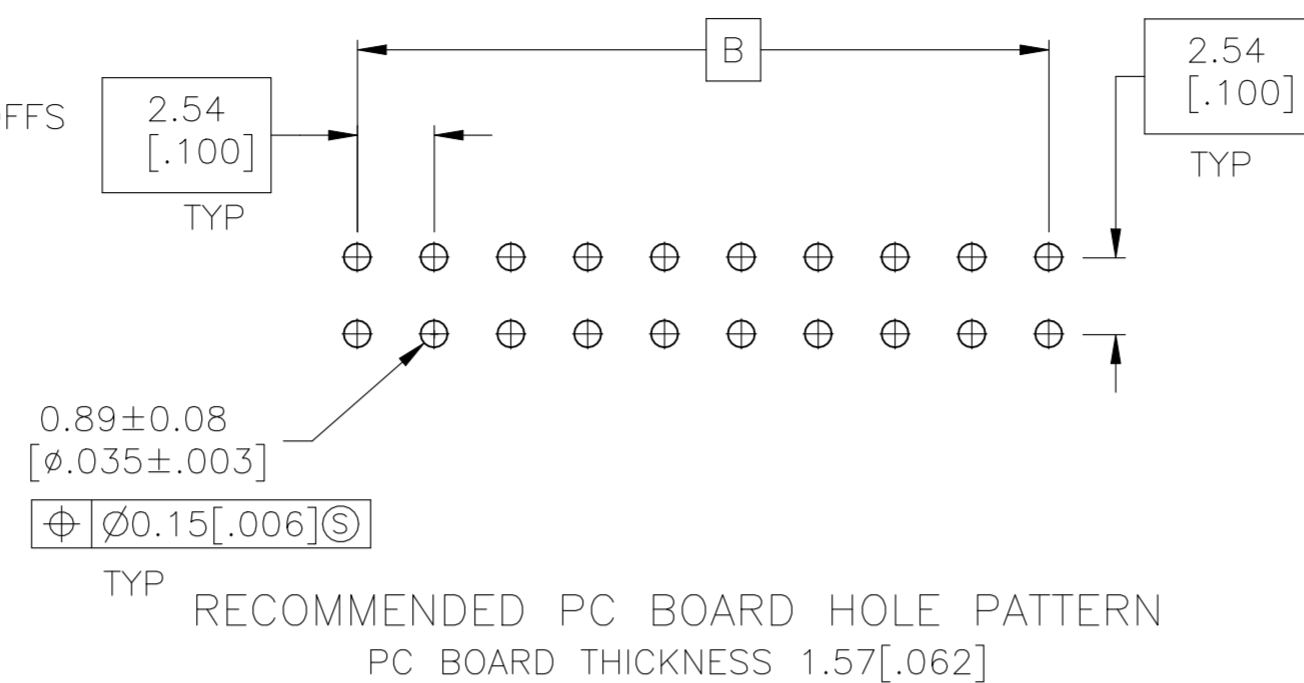
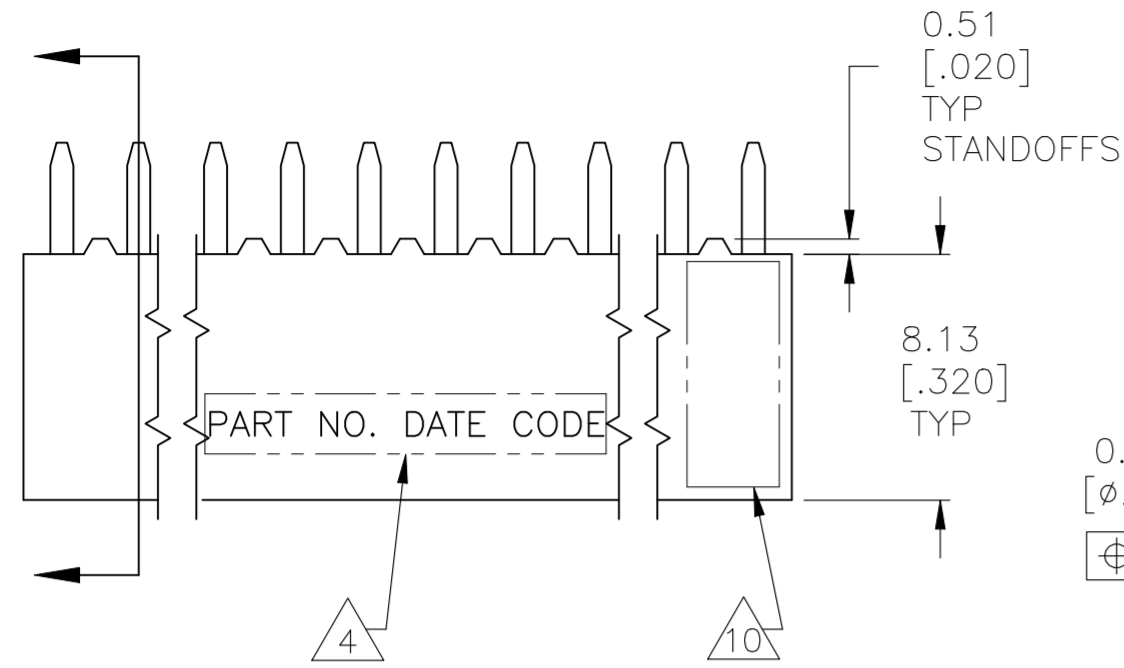


REVISIONS				
P	LTR	DESCRIPTION	DATE	DWN APVD
K		HOUSING RESIN CHANGED	27OCT2021	SCB KJK



2	99.06 [3.900]	101.60 [4.000]	80	4-146762-0	
2	96.52 [3.800]	99.06 [3.900]	78	3-146762-9	
2	93.98 [3.700]	96.52 [3.800]	76	3-146762-8	
2	91.44 [3.600]	93.98 [3.700]	74	3-146762-7	
2	88.90 [3.500]	91.44 [3.600]	72	3-146762-6	
2	86.36 [3.400]	88.90 [3.500]	70	3-146762-5	
2	83.82 [3.300]	86.36 [3.400]	68	3-146762-4	
2	81.28 [3.200]	83.82 [3.300]	66	3-146762-3	
2	76.20 [3.000]	78.74 [3.100]	62	3-146762-2	
2	73.66 [2.900]	76.20 [3.000]	60	3-146762-1	
2	71.12 [2.800]	73.66 [2.900]	58	3-146762-0	
2	68.58 [2.700]	71.12 [2.800]	56	2-146762-9	
2	66.04 [2.600]	68.58 [2.700]	54	2-146762-8	
2	63.50 [2.500]	66.04 [2.600]	52	2-146762-7	
2	60.96 [2.400]	63.50 [2.500]	50	2-146762-6	
2	58.42 [2.300]	60.96 [2.400]	48	2-146762-5	
2	55.88 [2.200]	58.42 [2.300]	46	2-146762-4	
2	53.34 [2.100]	55.88 [2.200]	44	2-146762-3	
2	50.80 [2.000]	53.34 [2.100]	42	2-146762-2	
2	45.72 [1.800]	48.26 [1.900]	38	2-146762-1	
2	43.18 [1.700]	45.72 [1.800]	36	2-146762-0	
2	40.64 [1.600]	43.18 [1.700]	34	1-146762-9	
2	38.10 [1.500]	40.64 [1.600]	32	1-146762-8	
2	33.02 [1.300]	35.56 [1.400]	28	1-146762-7	
2	30.48 [1.200]	33.02 [1.300]	26	1-146762-6	
2	27.94 [1.100]	30.48 [1.200]	24	1-146762-5	
2	25.40 [1.000]	27.94 [1.100]	22	1-146762-4	
2	17.78 [.700]	20.32 [.800]	16	1-146762-3	
2	15.24 [.600]	17.78 [.700]	14	1-146762-2	
2	12.70 [.500]	15.24 [.600]	12	1-146762-1	
9	2	5.08 [.200]	7.62 [.300]	6	1-146762-0
9	2	2.54 [.100]	5.08 [.200]	4	146762-9
9	2	-	2.54 [.100]	2	6 146762-8
2	22.86 [.900]	25.40 [1.000]	20	146762-7	
2	78.74 [3.100]	81.28 [3.200]	64	146762-6	
2	48.26 [1.900]	50.80 [2.000]	40	146762-5	
2	35.56 [1.400]	38.10 [1.500]	30	146762-4	
2	20.32 [.800]	22.86 [.900]	18	146762-3	
9	2	10.16 [.400]	12.70 [.500]	10	146762-2
9	2	7.62 [.300]	10.16 [.400]	8	146762-1

- 1 HOUSING: FLAME RETARDANT, GLASS FILLED, POLYESTER, COLOR: BLACK. CONTACT: PHOSPHOR BRONZE
- 2 CONTACT: 3.81-7.62MICROMETERS(.000150-.000300) BRIGHT TIN-LEAD OVER 1.27µm [.000050] MINIMUM NICKEL
- 3 THESE DIMENSIONS PERTAIN TO CAVIITY CENTERLINES ONLY - NOT TO CONTACT LOACATIONS
- 4 MARK PART NUMBER AND DATE CODE IN APPROXIMATE LOCATION SHOWN. EITHER SIDE.
- 5 TOLERANCE IS NON-CUMULATIVE.
- 6 2 POSITION DATE CODE IS MARKED OPPOSITE SIDE OF TE CONNECTIVITY LOGO.
- 7 POINT-OF-MEASUREMENT DIMENSION FOR PLATING THICKNESS (INSIDE CONTACT BEAM).
- 8 POINT-OF-CONTACT DIMENSION.
- 9 NO PART NUMBER MARKING REQUIRED FOR THIS PART.
- 10 TE CONNECTIVITY LOGO AND CSA LOGO ARE MOLDED INTO HOUSING.
- 11 CONTACT: 3.81-7.62 MICROMETERS (.000150-.000300) MATTE TIN OVER 1.27 MICROMETERS (.000050) MINIMUM NICKEL
- 12 ROHS 2002 /95/EC COMPLIANT

SUPERSEDED 6-146762-2
 SUPERSEDED 6-146762-0
 SUPERSEDED 5-146762-9

THIS DRAWING IS A CONTROLLED DOCUMENT.		DWN M.BINNER 06NOV2002	TE Connectivity Ltd.	
DIMENSIONS: mm [INCHES]		CHK J.OLSON 06NOV02		
TOLERANCES UNLESS OTHERWISE SPECIFIED:		APVD J.OLSON 06NOV02	NAME RECEPTACLE ASSEMBLY, MOD IV, DOUBLE ROW, TOP ENTRY, .100X.100CL, VERTICAL MOUNT, AMPMODU	
0 PLC ± -		PRODUCT SPEC 108-25022	SIZE A2	CAGE CODE 00779
1 PLC ± -		APPLICATION SPEC 114-25018	DRAWING NO C=146762	RESTRICTED TO -
2 PLC ± 0.13 [.005]		WEIGHT -	SCALE 4:1	SHEET 1 of 2
3 PLC ± -		MATERIAL 1	FINISH 2 11	REV K
4 PLC ± -		CUSTOMER DRAWING		
ANGLES ± -		SCALE 4:1 SHEET 1 of 2 REV K		


REVISIONS

P	LTR	DESCRIPTION	DATE	DWN	APVD
-		SEE SHEET 1	-	-	-

11	99.06 [3.900]	101.60 [4.000]	80	12	9-146762-0
11	96.52 [3.800]	99.06 [3.900]	78	12	8-146762-9
11	93.98 [3.700]	96.52 [3.800]	76	12	8-146762-8
11	91.44 [3.600]	93.98 [3.700]	74	12	8-146762-7
11	88.90 [3.500]	91.44 [3.600]	72	12	8-146762-6
11	86.36 [3.400]	88.90 [3.500]	70	12	8-146762-5
11	83.82 [3.300]	86.36 [3.400]	68	12	8-146762-4
11	81.28 [3.200]	83.82 [3.300]	66	12	8-146762-3
11	76.20 [3.000]	78.74 [3.100]	62	12	8-146762-2
11	73.66 [2.900]	76.20 [3.000]	60	12	8-146762-1
11	71.12 [2.800]	73.66 [2.900]	58	12	8-146762-0
11	68.58 [2.700]	71.12 [2.800]	56	12	7-146762-9
11	66.04 [2.600]	68.58 [2.700]	54	12	7-146762-8
11	63.50 [2.500]	66.04 [2.600]	52	12	7-146762-7
11	60.96 [2.400]	63.50 [2.500]	50	12	7-146762-6
11	58.42 [2.300]	60.96 [2.400]	48	12	7-146762-5
11	55.88 [2.200]	58.42 [2.300]	46	12	7-146762-4
11	53.34 [2.100]	55.88 [2.200]	44	12	7-146762-3
11	50.80 [2.000]	53.34 [2.100]	42	12	7-146762-2
11	45.72 [1.800]	48.26 [1.900]	38	12	7-146762-1
11	43.18 [1.700]	45.72 [1.800]	36	12	7-146762-0
11	40.64 [1.600]	43.18 [1.700]	34	12	6-146762-9
11	38.10 [1.500]	40.64 [1.600]	32	12	6-146762-8
11	33.02 [1.300]	35.56 [1.400]	28	12	6-146762-7
11	30.48 [1.200]	33.02 [1.300]	26	12	6-146762-6
11	27.94 [1.100]	30.48 [1.200]	24	12	6-146762-5
11	25.40 [1.000]	27.94 [1.100]	22	12	6-146762-4
11	17.78 [.700]	20.32 [.800]	16	12	6-146762-3
11	15.24 [.600]	17.78 [.700]	14	12	6-146762-2
11	12.70 [.500]	15.24 [.600]	12	12	6-146762-1
9	5.08 [.200]	7.62 [.300]	6	12	6-146762-0
9	2.54 [.100]	5.08 [.200]	4	12	5-146762-9
9		2.54 [.100]	2	12	5-146762-8
11	22.86 [.900]	25.40 [1.000]	20	12	5-146762-7
11	78.74 [3.100]	81.28 [3.200]	64	12	5-146762-6
11	48.26 [1.900]	50.80 [2.000]	40	12	5-146762-5
11	35.56 [1.400]	38.10 [1.500]	30	12	5-146762-4
11	20.32 [.800]	22.86 [.900]	18	12	5-146762-3
9	10.16 [.400]	12.70 [.500]	10	12	5-146762-2
9	7.62 [.300]	10.16 [.400]	8	12	5-146762-1
FINISH	B	A	NO OF POSN	PART NUMBER	

OBSOLETE

146762

THIS DRAWING IS A CONTROLLED DOCUMENT.		DWN M.BINNER 06NOV2002	 TE Connectivity Ltd.	
DIMENSIONS: mm [INCHES]		CHK J.OLSON 06NOV02		
TOLERANCES UNLESS OTHERWISE SPECIFIED:		APVD J.OLSON 06NOV02	NAME	
0 PLC ± -		PRODUCT SPEC	RECEPTACLE ASSEMBLY, MOD IV,	
1 PLC ± -		108-25022	DOUBLE ROW, TOP ENTRY, .100X.100CL,	
2 PLC ± 0.13 [.005]		APPLICATION SPEC	VERTICAL MOUNT, AMPMODU	
3 PLC ± -		114-25018	SIZE	CAGE CODE
4 PLC ± -		WEIGHT	A2	00779
ANGLES ± -		CUSTOMER DRAWING	DRAWING NO	RESTRICTED TO
MATERIAL	FINISH	SCALE	SHEET	
1	2 11	1:1	2 OF 2	
		REV	K	