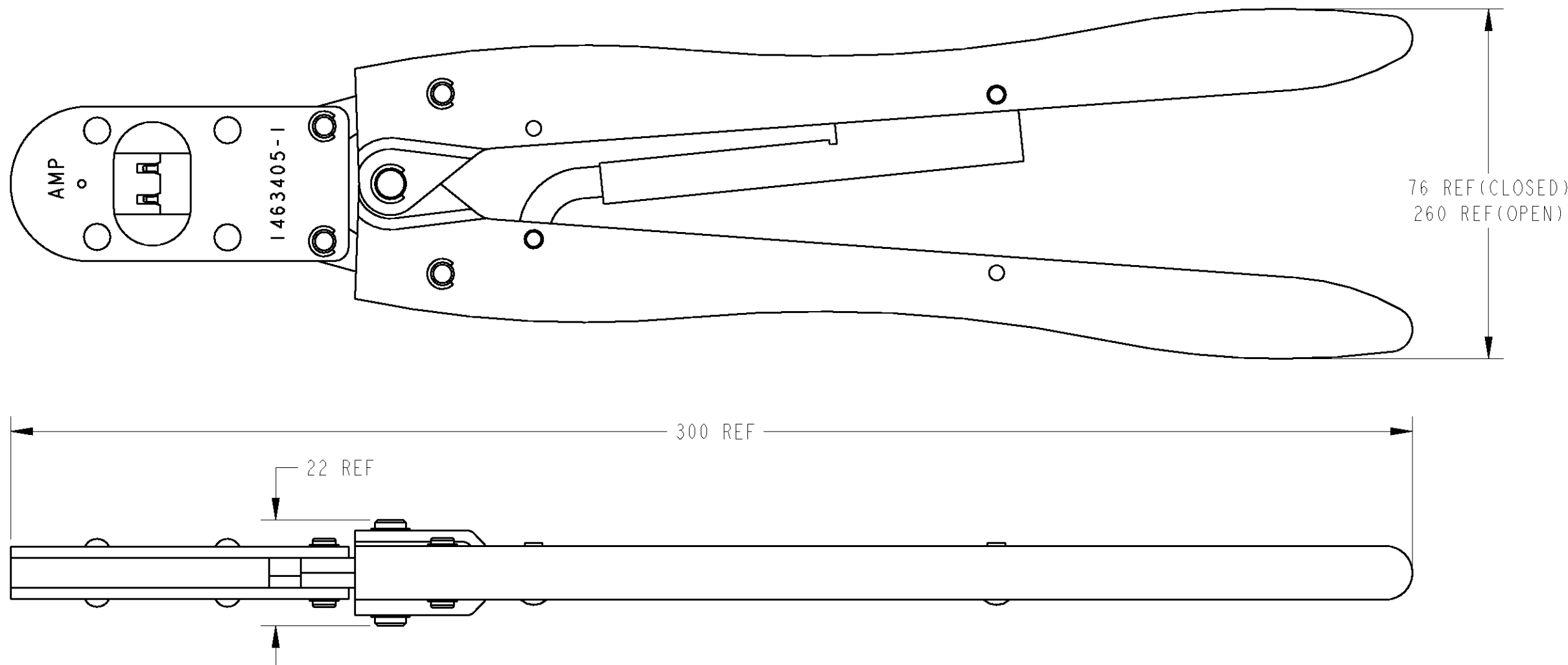


THIS DRAWING IS UNPUBLISHED. RELEASED FOR PUBLICATION 20
 © COPYRIGHT 20 BY TYCO ELECTRONICS CORPORATION. ALL RIGHTS RESERVED.

LOC	DIST	REVISIONS					
		P	LTR	DESCRIPTION	DATE	DWN	APVD
J	-	0		RELEASED FJCO-0300-03	27-Oct-03	J.K	S.Y

-1: AS SHOWN (本図)



CRIMP SYMBOL	TERMINAL NO	WIRE SIZE AWG (mm ²)	INS RANGE (mm)	TERMINAL CH (mm)		IS NO	APPL SPEC	WEIGHT (g)
	STRIP			WIRE	INS			
圧着部記号	適用端子型番	電線サイズ	絶縁被覆径	圧着高さ		取扱説明書番号	取付適用規格	重量
	連鎖状			芯線部	被覆部			
A	917308-1 (REC)	#22 (0.37)	1.4-1.5	0.80-0.95	1.8REF	411-78001	114-5193	525
B	917309-1 (TAB)	#20 (0.56)	1.6-1.7	0.92-1.07	1.9REF			

<small>THIS DRAWING IS A CONTROLLED DOCUMENT FOR TYCO ELECTRONICS CORPORATION. IT IS SUBJECT TO CHANGE AND THE CONTROLLING ENGINEERING ORGANIZATION SHOULD BE CONTACTED FOR THE LATEST REVISION.</small>		DWN J.KOGA 27-Oct-03 CHK J.Koga 27-Oct-03 APVD S.YABE 27-Oct-03	tyco Electronics Tyco Electronics AMP K.K. Kawasaki, Japan
DIMENSIONS: mm 	TOLERANCES UNLESS OTHERWISE SPECIFIED: 0 PLC ±- 1 PLC ±- 2 PLC ±- 3 PLC ±- 4 PLC ±- ANGLES ±-	PRODUCT SPEC - APPLICATION SPEC - WEIGHT -	NAME STRAIGHT ACTION HAND TOOL (MINI MULTI LOCK CONTACT) SIZE A3 CAGE CODE 00779 DRAWING NO C-1463405 RESTRICTED TO -
MATERIAL	FINISH	CUSTOMER DRAWING	SCALE - SHEET 1 OF 1 REV 0