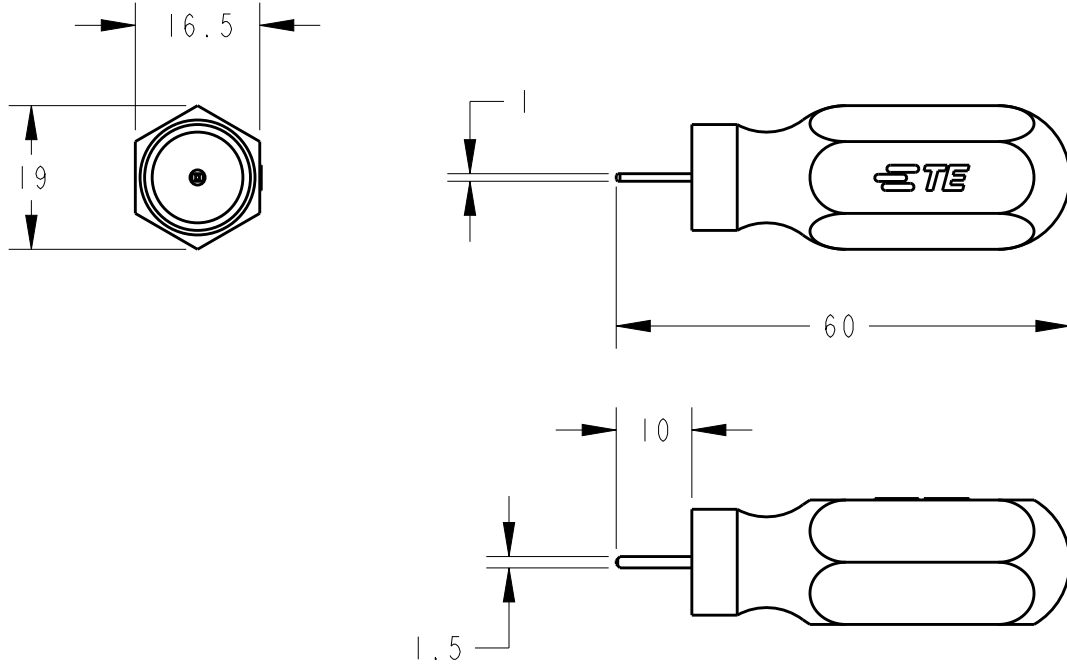


LOC	DIST	REVISIONS 変更					
J	-	P	LTR	DESCRIPTION	DATE	DWN	APVD
			O	RELEASED FJ00-0375-01	31-Jul-19	J.K	S.Y
			A	ECR-19-012054 Add applicable products	31JUL2019	S.N	J.K



- 1 APPLICABLE PRODUCTS 適用製品
 TERMINAL(STRIP): 1123721-3 NEW MOTOR CONN EP CONTACT
 端子(連鎖状): 1123721-3 ニュー・モーター・コネクタ・EP・コンタクト
 HOUSING: 1473064-1
 ハウジング: 1473064-1
 REC KIT: 2345832-1, 2345832-2
 2345834-1, 2345834-2


- 2 INSTRUCTION SHEET NO: 411-5986
 取扱説明書 : 411-5986

20

RELEASED FOR PUBLICATION

THIS DRAWING IS UNPUBLISHED.

BY TYCO ELECTRONICS CORPORATION. ALL RIGHTS RESERVED.
 © COPYRIGHT 20

DIMENSIONS: 単位: 耗 mm TOLERANCES UNLESS OTHERWISE SPECIFIED: 0 PLC ± 1 PLC ± 2 PLC ± 3 PLC ± 4 PLC ± ANGLES ±	DWN J.KOGA 01-Aug-19	MATERIAL 材料	FINISH 仕上
	CHK J.KOGA 01-Aug-19	 TE Connectivity	
APVD S.YABE 01-Aug-19	NAME 名称		
PRODUCT SPEC 製品規格	APPLICATION SPEC 取付適用規格	SIZE A 4	CAGE CODE 00779
WEIGHT -	DRAWING NO 番号 C=1463329-1	RESTRICTED TO -	
CUSTOMER DRAWING		SCALE 尺度	SHEET : OF REV A