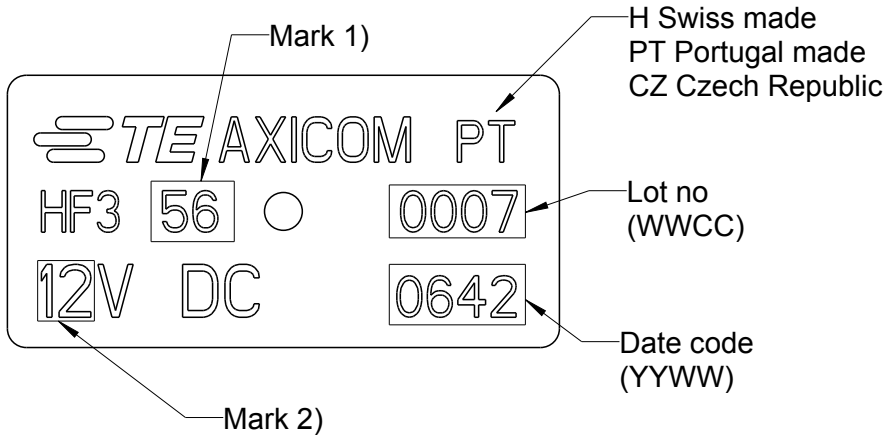


LOC	DIST	REVISIONS					
HJ	-	P	LTR	DESCRIPTION	DATE	DWN	APVD
			C1	ECR-14-007162 (Packaging information)	13OCT2015	AP	AK
			C	REVISED PER ECO-13-009645	18JUN2013	UKo	AK
			B3	New HF3 91R, HF3 93R, HF3 96R	12JAN2012	UKo	BK
			B2	Printing, new HF3 53RS	09JUL2010	UKo	HD



Pos.	Relay-Typ	Mark 1)	Mark 2)	PN
1	HF3 51	51	3	1462051-1
2	HF3 51S	51S	3	3-1462051-0
3	HF3 52	52	4.5	1-1462051-6
4	HF3 52S	52S	4.5	2-1462051-8
5	HF3 53	53	5	1462051-2
6	HF3 53RS	53RS	5	3-1462051-3
7	HF3 53S	53S	5	2-1462051-3
8	HF3 54	54	6	1-1462051-7
9	HF3 55	55	9	1462051-3
10	HF3 56	56	12	1462051-4
11	HF3 56S	56S	12	3-1462051-1
12	HF3 57	57	24	1462051-5
13	HF3 57S	57S	24	2-1462051-2
14	HF3 71	71	3	1462051-6
15	HF3 72	72	4.5	1-1462051-8
16	HF3 73	73	5	1462051-7
17	HF3 73S	73S	5	2-1462051-7
18	HF3 74	74	6	1-1462051-9

2007
RELEASED FOR PUBLICATION
ALL RIGHTS RESERVED.
THIS DRAWING IS UNPUBLISHED.
COPYRIGHT 2007

DIMENSIONS: mm	DWN UKo 9193	04APR2007	MATERIAL	-	FINISH	-
	CHK HD 9121	04APR2007	TE Connectivity HF3-Relay 50Ω Marking			
TOLERANCES UNLESS OTHERWISE SPECIFIED: DIN 7168-m	APVD HD 9121	04APR2007				
0 PLC ±-	PRODUCT SPEC	-	NAME	HF3-Relay 50Ω		
1 PLC ±-	APPLICATION SPEC	-	SIZE	CAGE CODE	DRAWING NO	RESTRICTED TO
2 PLC ±-	WEIGHT	-	A4	00779	C- 1462051-1	-
3 PLC ±-			CUSTOMER DRAWING			
4 PLC ±-			SCALE	5:1	SHEET	1 OF 2
ANGLES ±-					REV	C1

LOC HJ	DIST -	REVISIONS					
		P	LTR	DESCRIPTION	DATE	DWN	APVD
				SEE SHEET 1	-	-	-

Pos.	Relay-Typ	Mark 1)	Mark 2)	PN
19	HF3 75	75	9	1462051-8
20	HF3 76	76	12	1462051-9
21	HF3 77	77	24	1-1462051-0
22	HF3 91	91	3	1-1462051-1
23	HF3 91S	91S	3	3-1462051-2
24	HF3 91R	91R	3	3-1462051-7
25	HF3 92	92	4.5	2-1462051-0
26	HF3 92S	92S	4.5	2-1462051-5
27	HF3 93	93	5	1-1462051-2
28	HF3 93S	93S	5	2-1462051-4
29	HF3 93R	93R	5	3-1462051-5
30	HF3 94	94	6	2-1462051-1
31	HF3 95	95	9	1-1462051-3
32	HF3 96	96	12	1-1462051-4
33	HF3 96S	96S	12	2-1462051-6
34	HF3 96R	96R	12	3-1462051-6
35	HF3 97	97	24	1-1462051-5


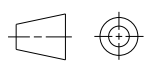
2007

RELEASED FOR PUBLICATION

ALL RIGHTS RESERVED.

© COPYRIGHT 2007

THIS DRAWING IS UNPUBLISHED.

DIMENSIONS: mm		DWN UKo 9193	04APR2007	MATERIAL -	FINISH -		
TOLERANCES UNLESS OTHERWISE SPECIFIED: DIN 7168-m		CHK HD 9121	04APR2007	 TE Connectivity			
		APVD HD 9121	04APR2007				
		PRODUCT SPEC -				NAME HF3-Relay 50Ω Marking	
0 PLC ±-	1 PLC ±-	APPLICATION SPEC -		SIZE A4	CAGE CODE 00779		
2 PLC ±-	3 PLC ±-	WEIGHT -		DRAWING NO C= 1462051-1	RESTRICTED TO -		
4 PLC ±-	ANGLES ±-						
		CUSTOMER DRAWING			SCALE 5:1	SHEET 2 OF 2	REV C1