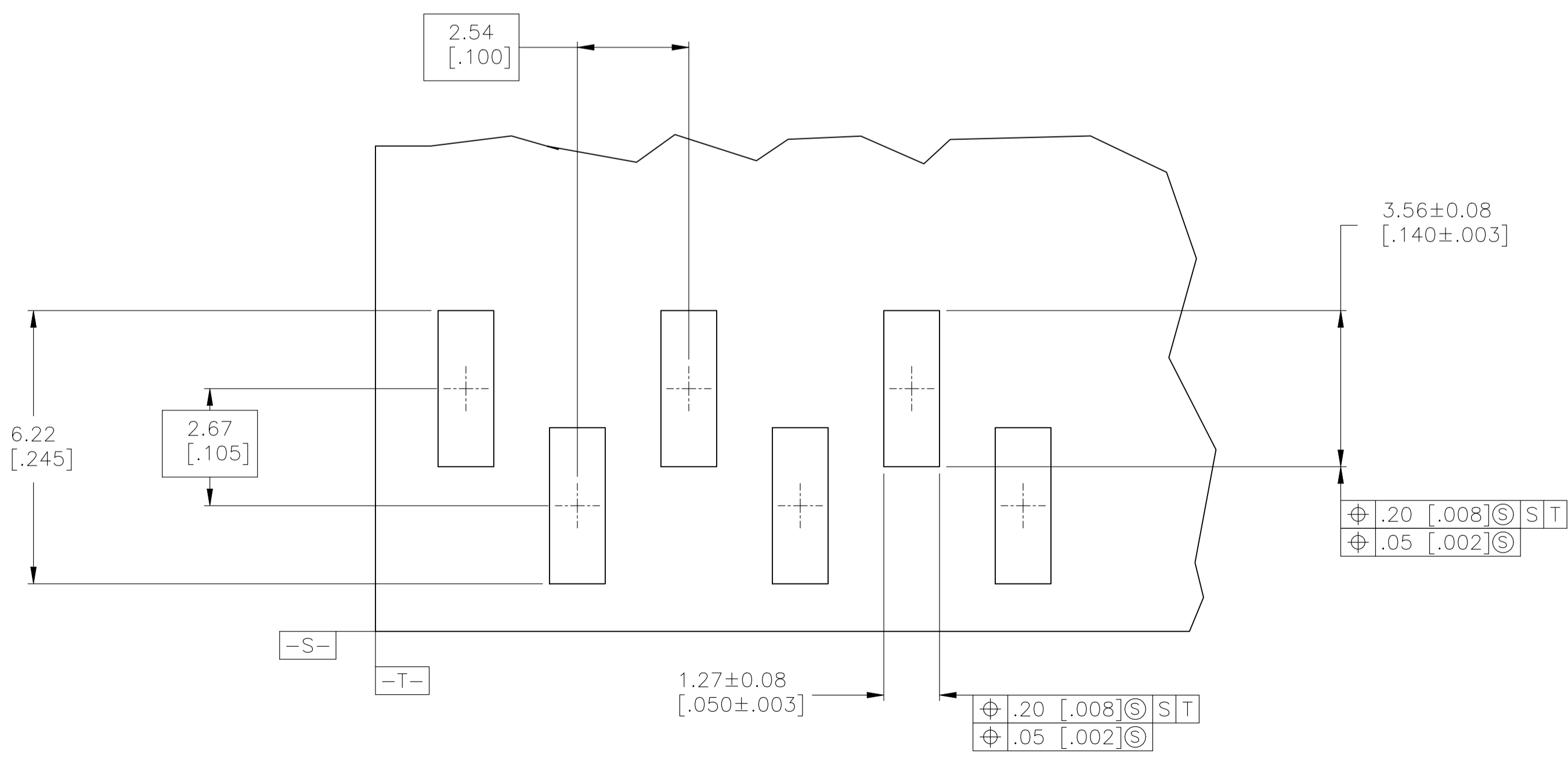
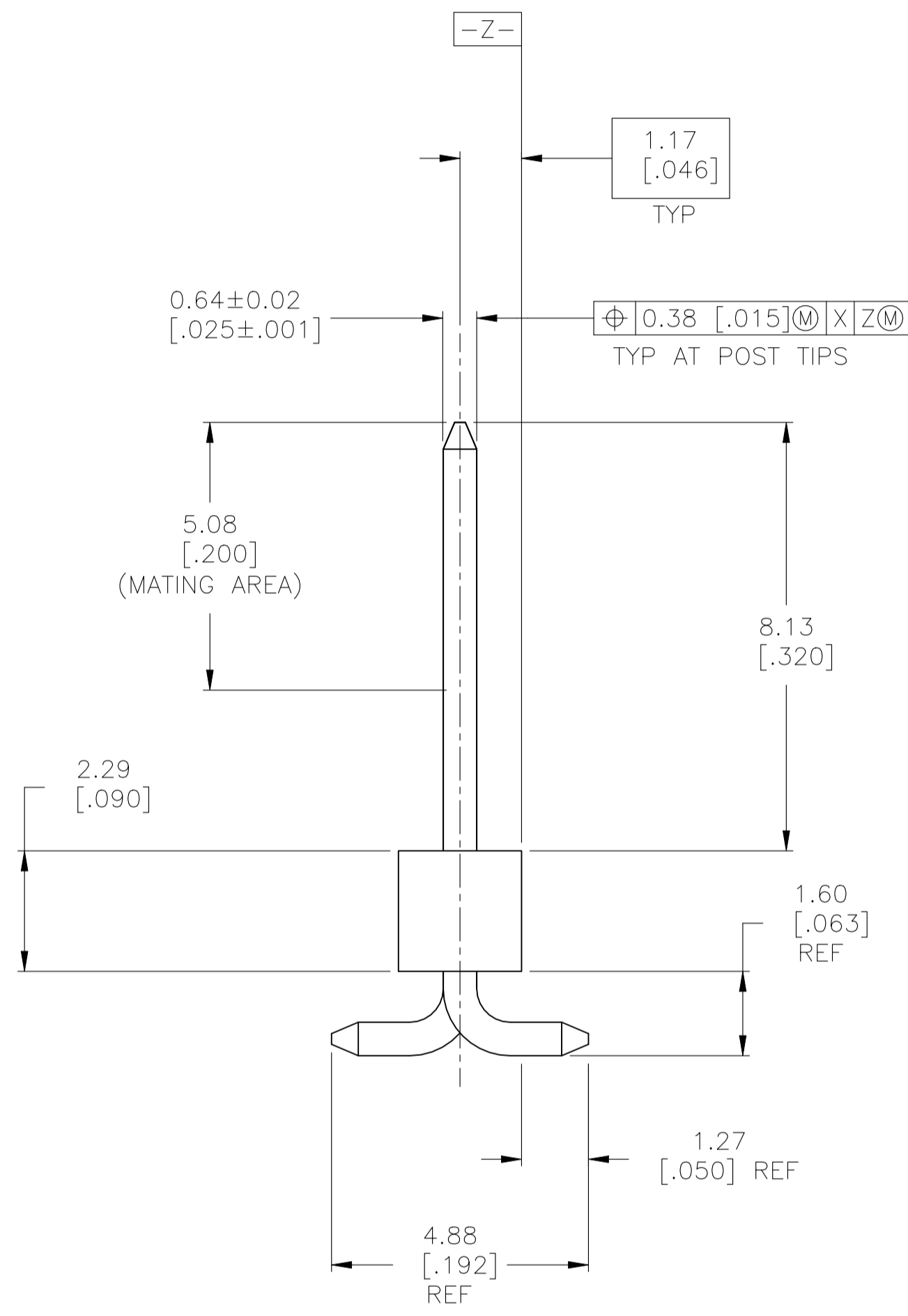
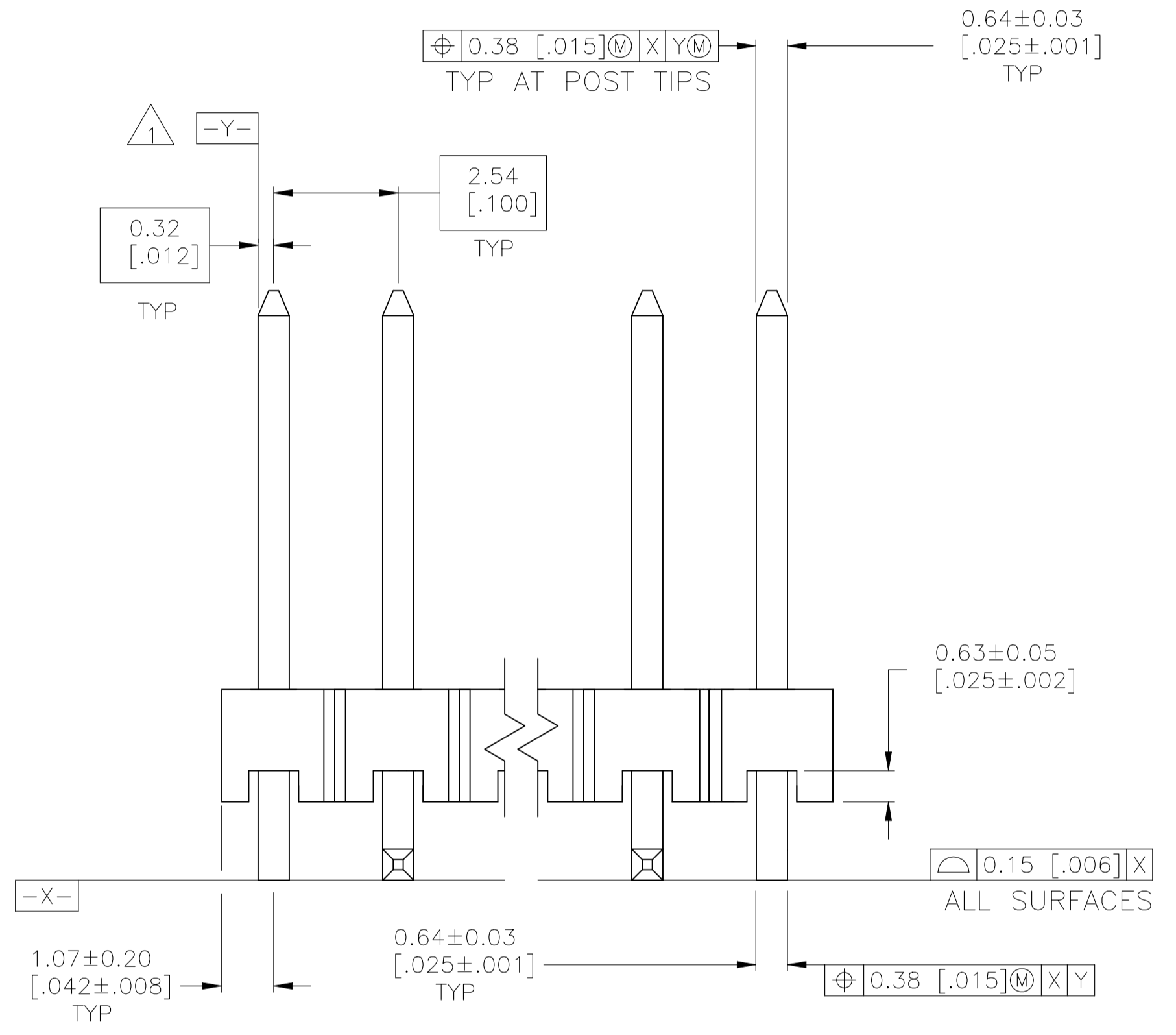
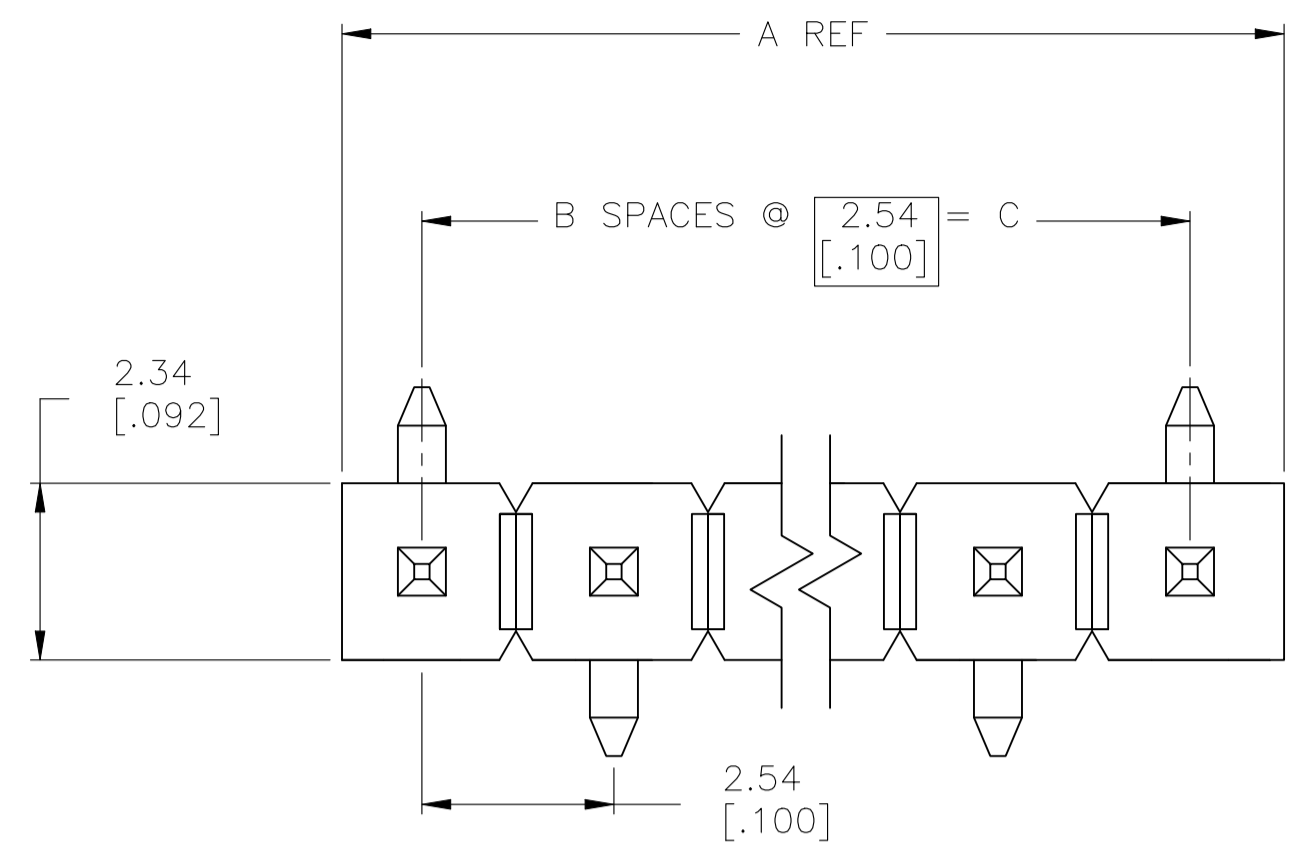


REVISIONS				
REV	DATE	BY	CHK	APPV
L1	15JUL2022	RK	MF	

- 1 THE NOTED DIMENSIONS APPLY AT THE INTERSECTION OF THE POST AND THE HOUSING.
- 2 0.000762[.000030] GOLD ON CONTACT AREA, 0.00254[.000100]-0.00508[.000200] MATTE TIN-LEAD ON SOLDER TAIL, ALL OVER 0.00127[.000050] NICKEL.
- 3 HOUSING: LCP, COLOR-BLACK. POSTS: COPPER ALLOY.
- 4 0.000762[.000030] GOLD ON CONTACT AREA, 0.00254[.000100]-0.00508[.000200] MATTE TIN ON SOLDER TAIL, ALL OVER 0.00127[.000050] NICKEL.
- 5 OBSOLETE PARTS: OBSOLETE CIS STREAMLINING PER D.RENAUD/D.SINISI



RECOMMENDED PCB LAYOUT FOR USE WITH .008 THICK STENCIL

REV	DATE	BY	CHK	APPV	DESCRIPTION		
4	35.56 [1.400]	14	35.69 [1.484]	15	6-146129-3		
4	33.02 [1.300]	13	33.15 [1.384]	14	6-146129-2		
4	30.48 [1.200]	12	30.61 [1.284]	13	6-146129-1		
4	27.94 [1.100]	11	28.07 [1.184]	12	6-146129-0		
4	25.40 [1.000]	10	27.53 [1.084]	11	5-146129-9		
4	22.86 [0.900]	9	24.99 [0.984]	10	5-146129-8		
4	20.32 [0.800]	8	22.45 [0.884]	9	5-146129-7		
4	17.78 [0.700]	7	19.91 [0.784]	8	5-146129-6		
4	15.24 [0.600]	6	17.37 [0.684]	7	5-146129-5		
4	12.70 [0.500]	5	14.83 [0.584]	6	5-146129-4		
4	10.16 [0.400]	4	12.29 [0.484]	5	5-146129-3		
4	7.62 [0.300]	3	9.75 [0.384]	4	5-146129-2		
4	5.08 [0.200]	2	7.21 [0.284]	3	5-146129-1		
5	OBSOLETE	2	35.56 [1.400]	14	35.69 [1.484]	15	6-146129-3
5	OBSOLETE	2	33.02 [1.300]	13	33.15 [1.384]	14	6-146129-2
5	SUPERSEDED	2	30.48 [1.200]	12	30.61 [1.284]	13	6-146129-1
5	OBSOLETE	2	27.94 [1.100]	11	28.07 [1.184]	12	6-146129-0
5	OBSOLETE	2	25.40 [1.000]	10	27.53 [1.084]	11	5-146129-9
5	OBSOLETE	2	22.86 [0.900]	9	24.99 [0.984]	10	5-146129-8
5	OBSOLETE	2	20.32 [0.800]	8	22.45 [0.884]	9	5-146129-7
5	SUPERSEDED	2	17.78 [0.700]	7	19.91 [0.784]	8	5-146129-6
5	OBSOLETE	2	15.24 [0.600]	6	17.37 [0.684]	7	5-146129-5
5	OBSOLETE	2	12.70 [0.500]	5	14.83 [0.584]	6	5-146129-4
5	SUPERSEDED	2	10.16 [0.400]	4	12.29 [0.484]	5	5-146129-3
5	OBSOLETE	2	7.62 [0.300]	3	9.75 [0.384]	4	5-146129-2
5	OBSOLETE	2	5.08 [0.200]	2	7.21 [0.284]	3	5-146129-1

THIS DRAWING IS A CONTROLLED DOCUMENT.

DIMENSIONS: mm [INCHES]

TOLERANCES UNLESS OTHERWISE SPECIFIED:

0. PLC	±	-
1. PLC	±	-
2. PLC	±	0.13[.005]
3. PLC	±	-
4. PLC	±	-
ANGLES	±	-

MATERIAL: 3

FINISH: SEE TABLE

WEIGHT: -

SIZE: A1

CAGE CODE: 00779

DRAWING NO: 146129

RESTRICTED TO: -

CUSTOMER DRAWING

SCALE: 10:1

SHEET: 1 of 1

REV: L1