

THIS DRAWING IS UNPUBLISHED. RELEASED FOR PUBLICATION
 © COPYRIGHT - By - TE CONNECTIVITY ALL RIGHTS RESERVED.

LOC	DIST	REVISIONS 変更					
HB	-	P	LTR	DESCRIPTION	DATE	DWN	APVD
		F		REMOVED THE RIB ON THE BASE TO CASE ECO-15-011310	19Nov2015	YS.H	CHL

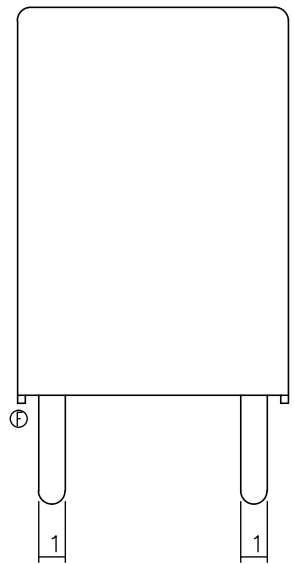
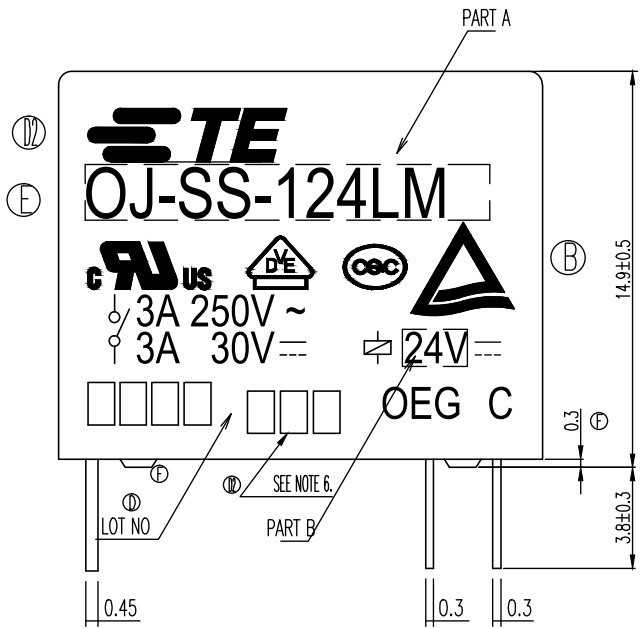
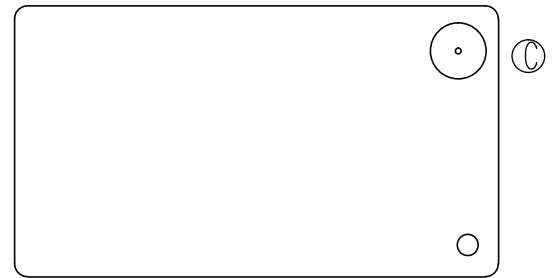
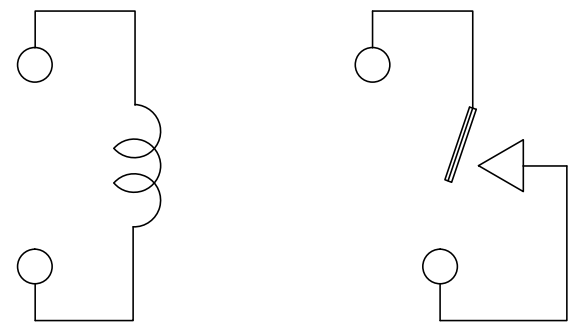


Diagram dimension	Tolerance
0.99mm max.	±0.1mm
1 - 2.99mm	±0.2mm
3mm min.	±0.3mm



CONNECTION FIGURE

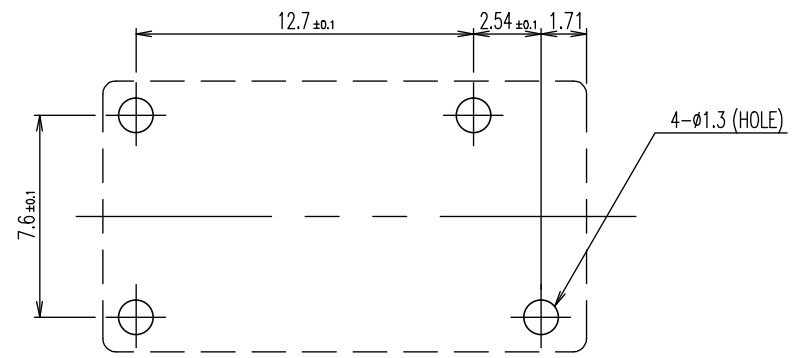
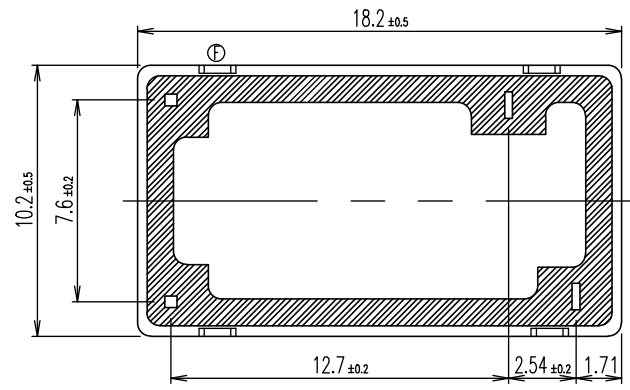


FIGURE FOR PRINTED CIRCUIT BOARD PROCESSING
(BOTTOM VIEW)



THIS DRAWING IS A CONTROLLED DOCUMENT.		DWN	H.Sasaki	TE Connectivity			
DIMENSIONS: 単位: 耗 mm		CHK	Y.Oikawa	NAME 名称			
TOLERANCES UNLESS OTHERWISE SPECIFIED: 一般公差		APVD	A.Nagai	OJ-SS-LM SPEC,000 CUSTOMER DRAWING			
0 PLC ± - 1 PLC ± - 2 PLC ± - 3 PLC ± - 4 PLC ± - ANGLES ± -		PRODUCT SPEC	製品規格		-		
MATERIAL 材料		APPLICATION SPEC	取付適用規格		-		
FINISH 仕上		WEIGHT	-		SIZE	A3	RESTRICTED TO
		CUSTOMER DRAWING	CAGE CODE	00779	DRAWING NO 番号	1461117	
		SCALE 尺度	5:1		SHEET	1 OF 2	REV F

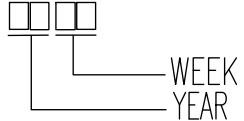
THIS DRAWING IS UNPUBLISHED. RELEASED FOR PUBLICATION
 © COPYRIGHT - By - TE CONNECTIVITY ALL RIGHTS RESERVED.

LOC	DIST	REVISIONS 変更					
HB	-	P	LTR	DESCRIPTION	DATE	DWN	APVD
		-		SEE SHEET 1	-	-	-

3-1419129-1	OJ-SS-124LM, 000	107-79010	24V	OJ-SS-124LM	f
4-1419144-2	OJ-SS-118LM, 000	107-79010	18V	OJ-SS-118LM	e
2-1419129-1	OJ-SS-112LM, 000	107-79010	12V	OJ-SS-112LM	d
1461117-3	OJ-SS-109LM, 000	107-79010	9V	OJ-SS-109LM	c
1440007-1	OJ-SS-106LM, 000	107-79010	6V	OJ-SS-106LM	b
1440007	OJ-SS-105LM, 000	107-79010	5V	OJ-SS-105LM	a
PART NO	DESCRIPTION	PACKAGE SPEC.	PART B	PART A	TYPE

RELAY TYPE

ⓓⓔ NOTE:
 1. LOT NO SYSTEM AS FOLLOWING:



ⓓ 2. TERMINAL DIMENSION IS BEFORE SOLDER DIP;
 ⓓ 3. FOR THE TIN-PLATING OF THE PINS:
 +0.1mm FOR WIDTH, THICKNESS AND DIAMETER.
 +0.5mm FOR LENGTH.

ⓔⓓ 4. USED WELDED CONTACT & LASER MARKING.

ⓓ 5. ADD LOT NO. SYSTEM AS FOLLOWING;
 I, DIGITS FOR DAY OF THE WEEK
 1...MONDAY IN THIS WEEK;
 2...TUESDAY IN THIS WEEK;

 7...SUNDAY IN THIS WEEK
 II, DIGITS FOR SHIFT OF THE DAY
 1...DAY SHIFT IN THIS DAY;
 2...NIGHT SHIFT IN THIS DAY;
 III, ONE CHARACTER DISTINGUISH THE LINE IDENTITY, SUCH AS: A,B,....Z

		EPOXY RESIN	SEAL (BASE & BOBBIN)	15
		JUEW	MAGNETIC WIRE	14
94V-0		P.B.T	CASE	13
94V-0		P.B.T	BASE	12
94V-0		P.B.T	BOBBIN	11
	SOLDER DIP	C.P WIRE	COIL TERMINAL	10
94V-0		P.P.S	CARD	9
		Ag	MOVABLE CONTACT	8
		Ag	NO.CONTACT	7
		STEEL	HINGE SPRING	6
	SOLDER DIP	Cu ALLOY	NO.TERMINAL	5
	SOLDER DIP	Cu ALLOY	MOVABLE SPRING	4
	NIP	STEEL	CORE	3
	NIP	STEEL	ARMATURE	2
	NIP	STEEL	YOKE	1
INCOMBUSTIBILITY	TREATMENT	MATERIAL	DESCRIPTION	ITEM

THIS DRAWING IS A CONTROLLED DOCUMENT.		DWN	H.Sasaki	-																		
DIMENSIONS: 單位: 耗 mm		CHK	Y.Oikawa	-																		
TOLERANCES UNLESS OTHERWISE SPECIFIED: 一般公差		APVD	A.Nagai	-																		
<table border="0"> <tr><td>0</td><td>PLC</td><td>± -</td></tr> <tr><td>1</td><td>PLC</td><td>± -</td></tr> <tr><td>2</td><td>PLC</td><td>± -</td></tr> <tr><td>3</td><td>PLC</td><td>± -</td></tr> <tr><td>4</td><td>PLC</td><td>± -</td></tr> <tr><td colspan="2">ANGLES</td><td>± -</td></tr> </table>		0	PLC	± -	1	PLC	± -	2	PLC	± -	3	PLC	± -	4	PLC	± -	ANGLES		± -	PRODUCT SPEC 製品規格	NAME 名称	OJ-SS-LM SPEC,000 CUSTOMER DRAWING
0	PLC	± -																				
1	PLC	± -																				
2	PLC	± -																				
3	PLC	± -																				
4	PLC	± -																				
ANGLES		± -																				
MATERIAL 材料		FINISH 仕上	APPLICATION SPEC 取付適用規格	SIZE	A3																	
			WEIGHT	CAGE CODE	00779																	
			CUSTOMER DRAWING	DRAWING NO 番号	1461117																	
				RESTRICTED TO	-																	
				SCALE 尺度	5:1																	
				SHEET	2 OF 2																	
				REV	F																	