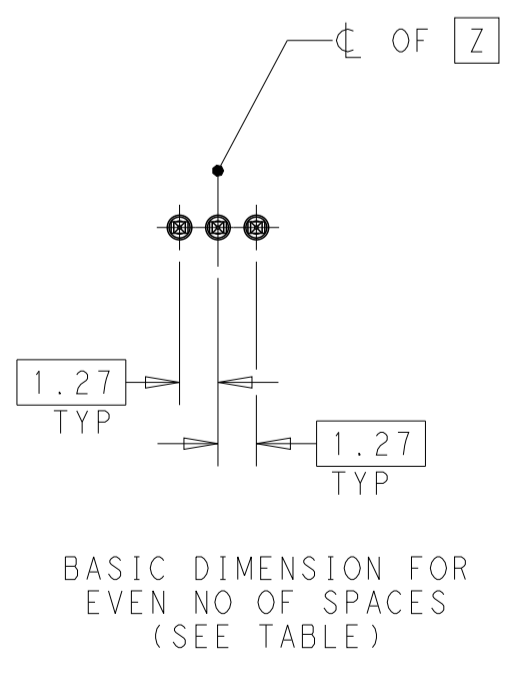
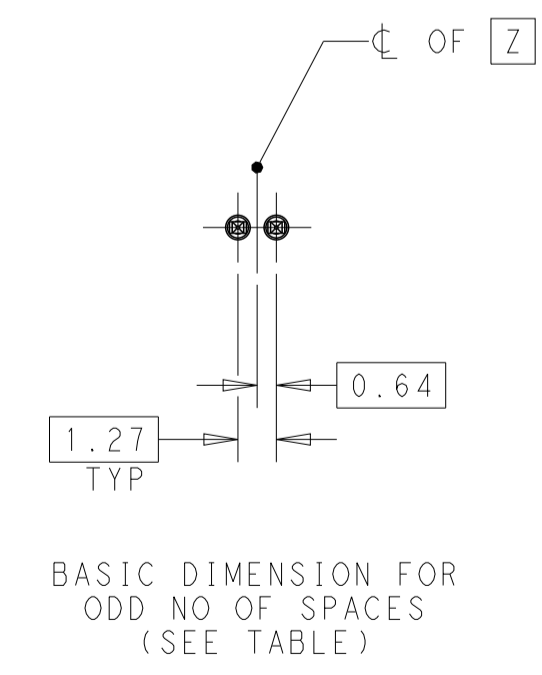
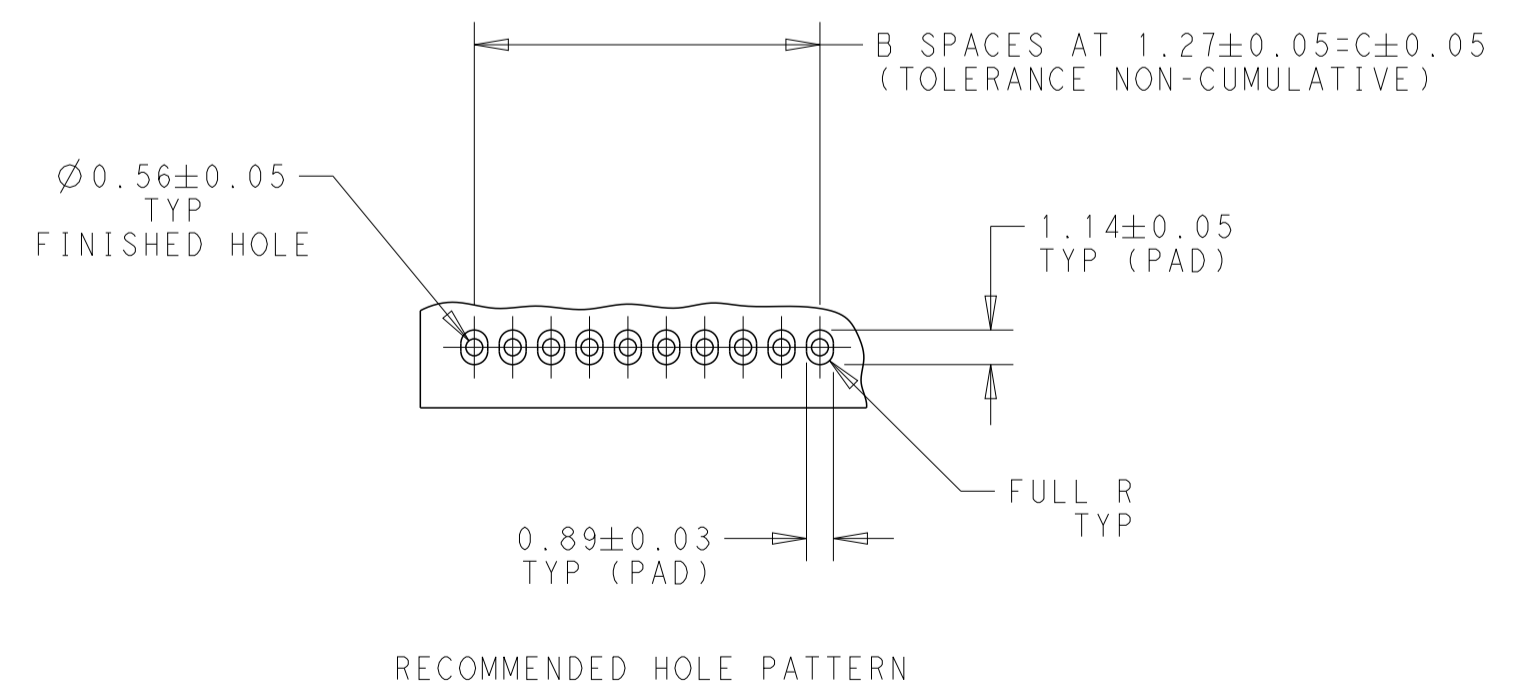
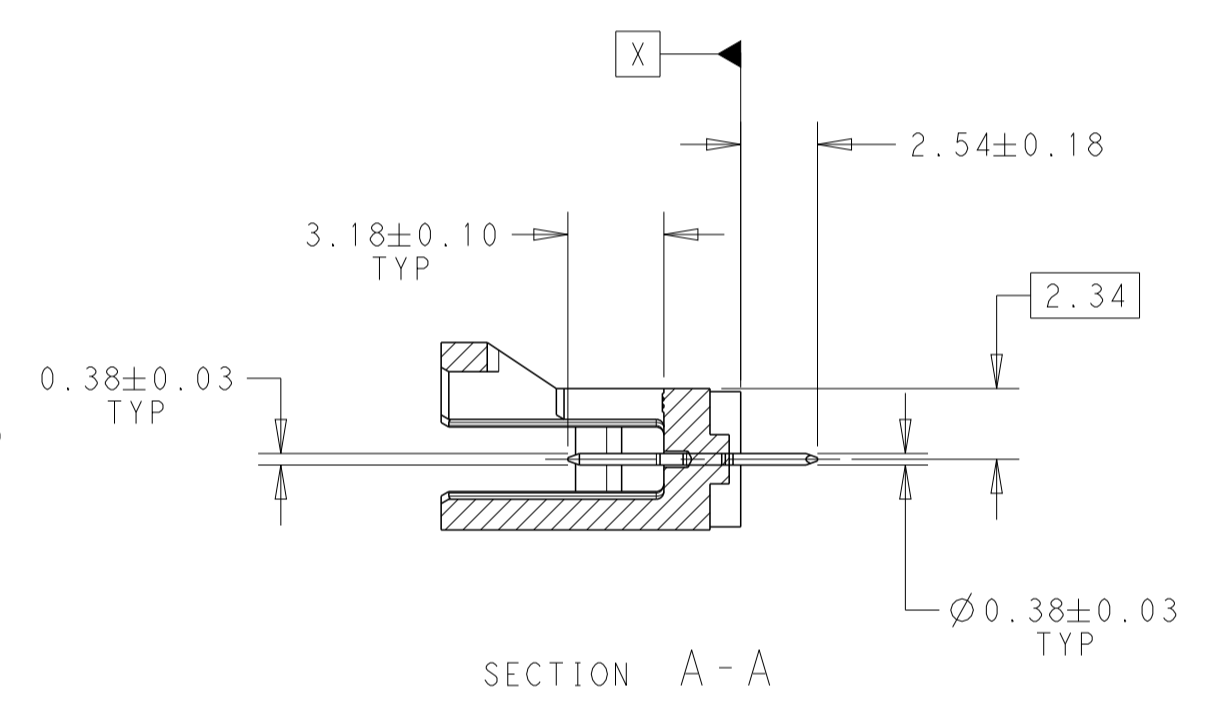
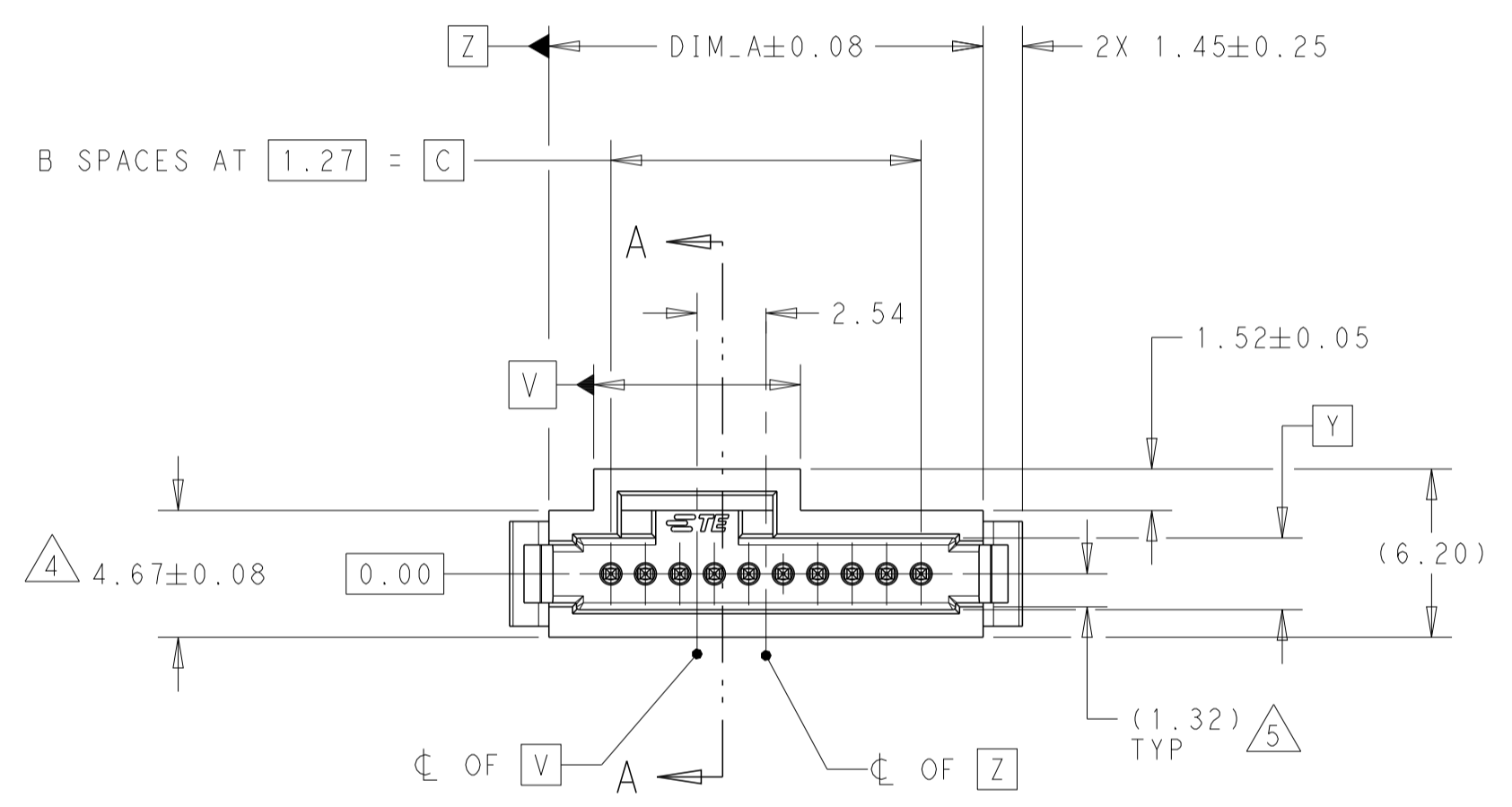
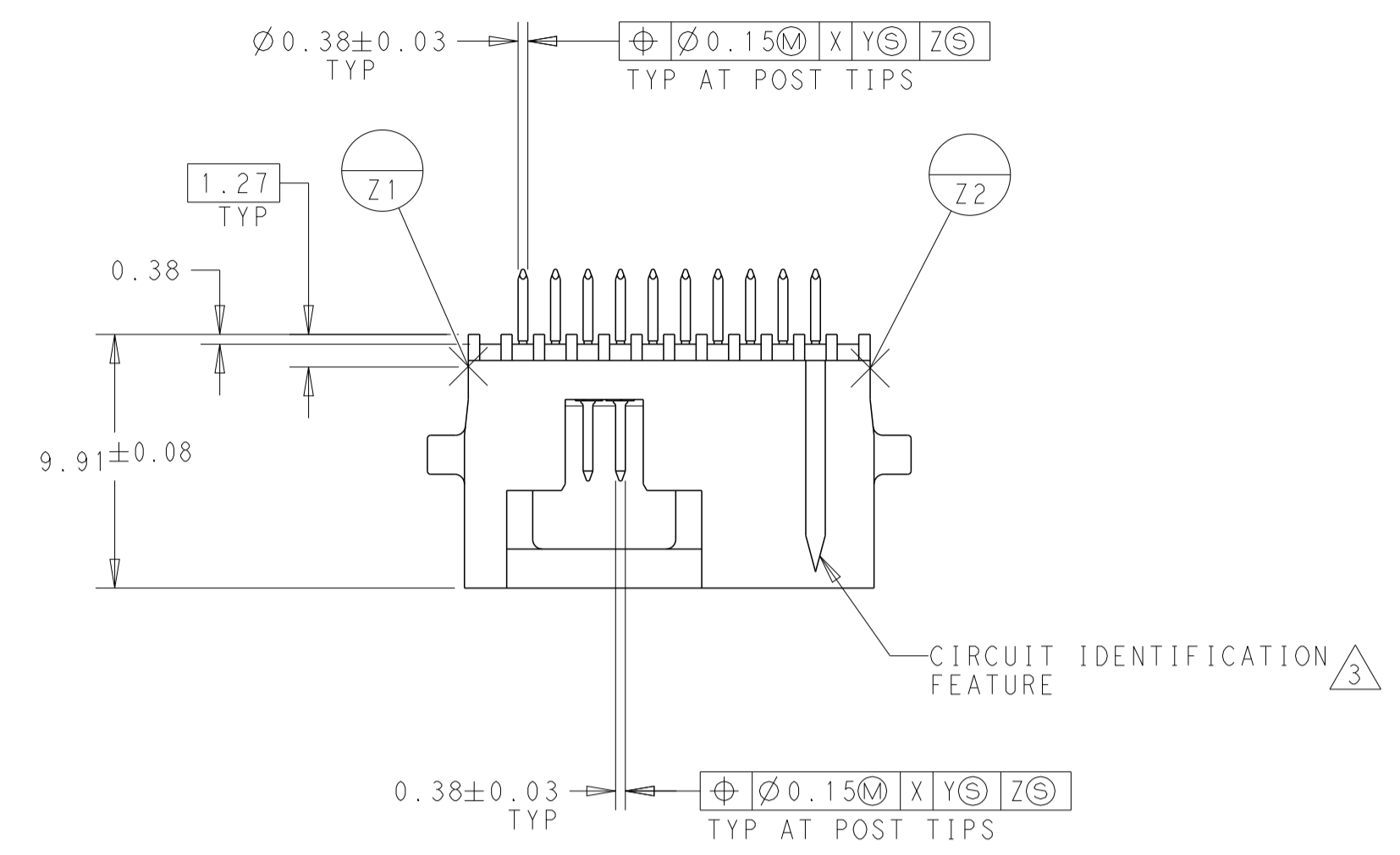
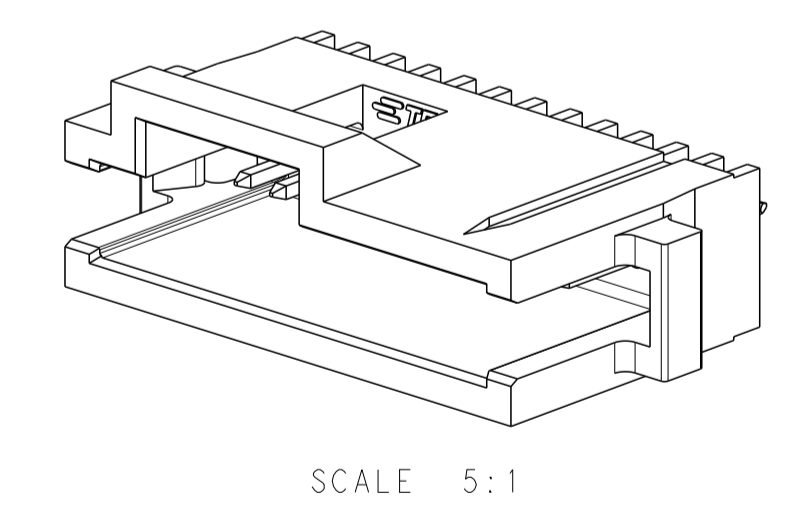


REVISIONS				
P	LTN	DESCRIPTION	DATE	APVD
C		REDRAWN/REVISED PER ECO-17-001745	20NOV2017	KS JO



- △ CONTACT AREAS PLATED WITH 0.76µm GOLD, SOLDER TAILS PLATED WITH 3.81µm TIN-LEAD, ALL OVER 1.27µm NICKEL
- 2. NOTE DELETED.
- △ CIRCUIT IDENTIFICATION FEATURE OMITTED ON 4, 5, 6, & 7 POSITION HEADER ASSEMBLIES
- △ DIMENSIONS APPLIES AT BASE OF SHROUD
- △ THE NOTED DIMENSIONS APPLY AT THE INTERSECTION OF THE POST & HOUSING.
- 6. NOTE DELETED.
- 7. ASSEMBLY MATES WITH FFC CONNECTORS 487973.
- △ CONTACT AREAS PLATED WITH 0.76µm GOLD, SOLDER TAILS PLATED WITH 3.81µm TIN, ALL OVER 1.27µm NICKEL
- △ MATERIAL - HOUSING: LCP, COLOR: BLACK CONTACT: COPPER ALLOY



11.43	9	16.00	10	5-146069-1
11.43	9	16.00	10	146069-1
DIM_C	B SPACES	DIM_A	NO OF POSN	PART NUMBER

THIS DRAWING IS A CONTROLLED DOCUMENT.		DWN R. SHRISHAIL CHK J. OLSON APVD J. OLSON	20NOV2017 20NOV2017	TE Connectivity	
DIMENSIONS:	TOLERANCES UNLESS OTHERWISE SPECIFIED:	PRODUCT SPEC		NAME	
mm	0 PLC ± 1 PLC ±0.3 2 PLC ±0.13 3 PLC ± 4 PLC ± ANGLES ±0.5°	APPLICATION SPEC		HEADER ASSEMBLY, VERTICAL, SINGLE ROW OFFSET SIDE LATCH & END LATCHES, AMPMODU SYSTEM 50	
MATERIAL	FINISH	SIZE	CAGE CODE	DRAWING NO	RESTRICTED TO
9	SEE TABLE	A100779	C=146069	114-25031	-
CUSTOMER DRAWING			SCALE	SHEET	REV
			4:1	1 OF 1	C