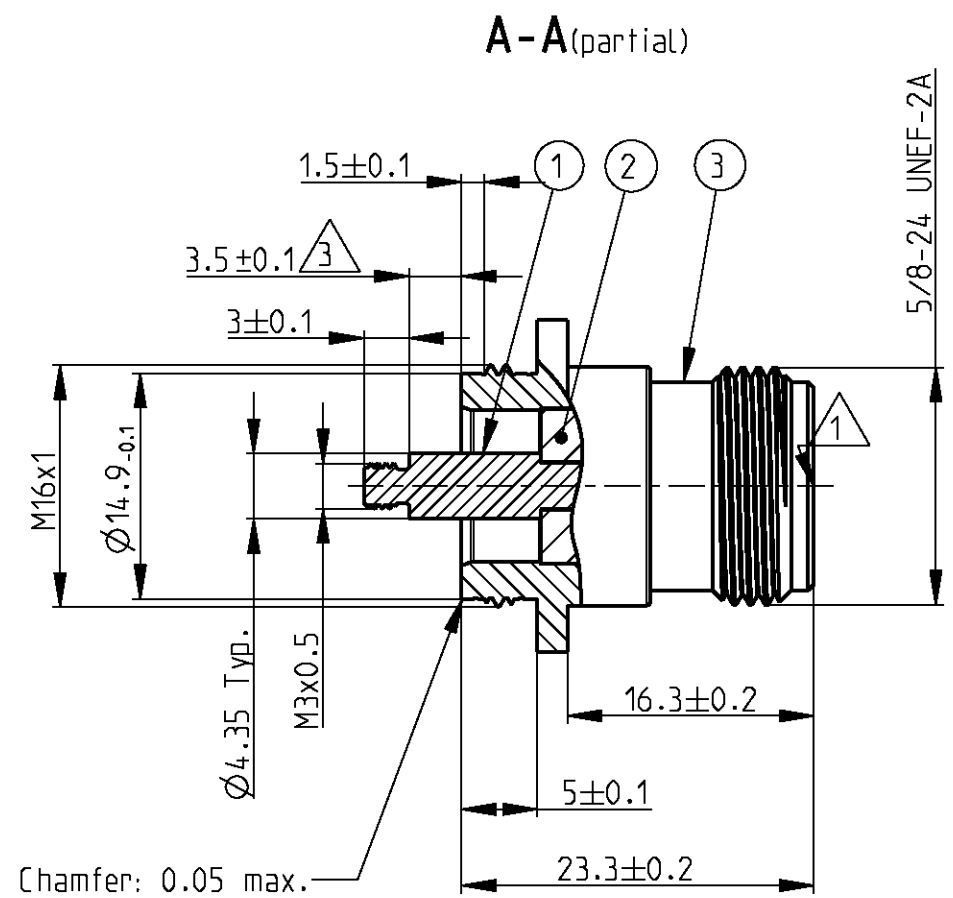
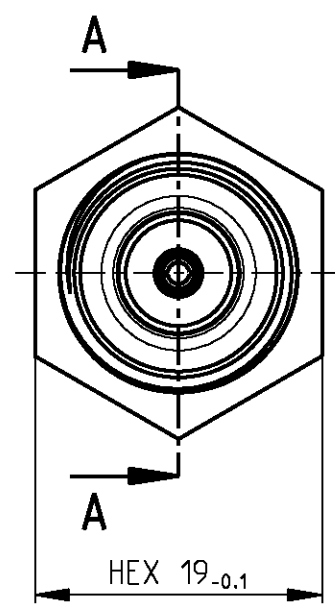


THIS DRAWING IS UNPUBLISHED. RELEASED FOR PUBLICATION 2000
 © COPYRIGHT 2000 BY TYCO ELECTRONICS CORPORATION. ALL RIGHTS RESERVED.

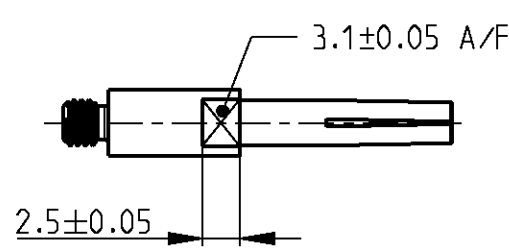
LOC	DIST	REVISIONS					
		P	LTR	DESCRIPTION	DATE	DWN	APVD
GW	-		A	First issue	28JUL2006	AM	DB
			A1	REV PER ECO-10-000030	04JAN10	KK	AEG

View with centre conductor mounted

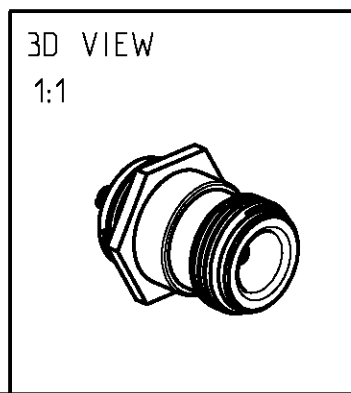


- 1) Interface according to IEC 169-16.
- 2) Item 1 is supplied loose.
- 3) In case of assembled centre conductor.
- 4) Centre conductor not captivated against rotation.
- 5) Centre conductor without TUF-LOK®.
- 6) Centre conductor with TUF-LOK® around M3 thread.
- 7) Centre conductor with TUF-LOK® spot on M3 thread.
- 8) TUF-LOK® applied by Kerb Konus GmbH, Germany.
- 9) OBSOLETE PARTS: OBSOLETE CIS STREAMLINING PER D.RENAUD/D.SINISI

Centre conductor view



	1460118-1	5	3	1	BODY	BRASS	min. 2 µm CuZnSn
9	1460118-2	6	2	1	DIELECTRIC	PTFE	NONE
	1460118-3	7	1	1	CENTRE CONDUCTOR	BERYLLIUM COPPER	min. 5 µm Ag over 1-2 µm Cu
	PART NR	ITEM NR	PIECES	DESCRIPTION	MATERIAL	PLATING	



THIS DRAWING IS A CONTROLLED DOCUMENT FOR TYCO ELECTRONICS CORPORATION. IT IS SUBJECT TO CHANGE AND THE CONTROLLING ENGINEERING ORGANIZATION SHOULD BE CONTACTED FOR THE LATEST REVISION.

DIMENSIONS:	TOLERANCES UNLESS OTHERWISE SPECIFIED:
mm	0 PLC ± DIN ISO
	1 PLC ± 2768 mK
	2 PLC ±
	3 PLC ±
	4 PLC ±
	ANGLES ±
MATERIAL see table	FINISH see table

DWN	F. Hellin	02APR2003	Tyco Electronics Oostkamp - Belgium
CHK	F. Hellin	08APR2003	
APVD	R. Leeman	08APR2003	
PRODUCT SPEC	NAME		
108-90046	Type N Screw-In Jack		
APPLICATION SPEC	-		
WEIGHT	±27g	SIZE	A3
		CAGE CODE	00779
		DRAWING NO	1460118
		RESTRICTED TO	-
		SCALE	2:1
		SHEET	1 OF 1
		REV	A1