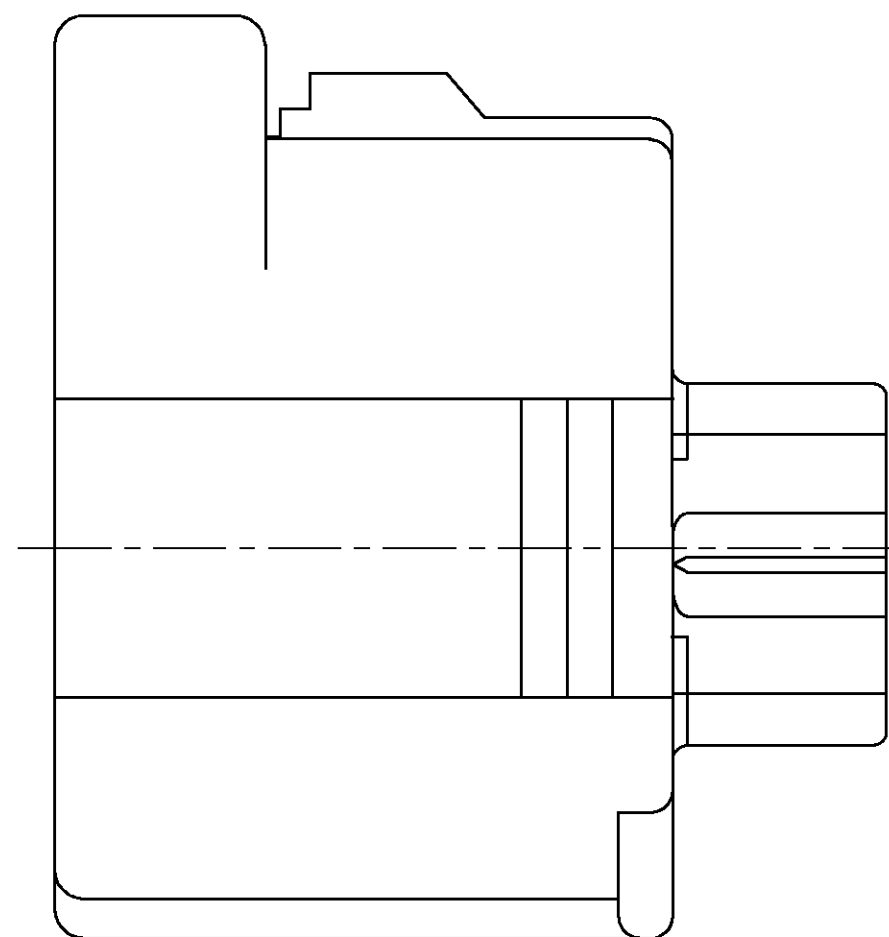
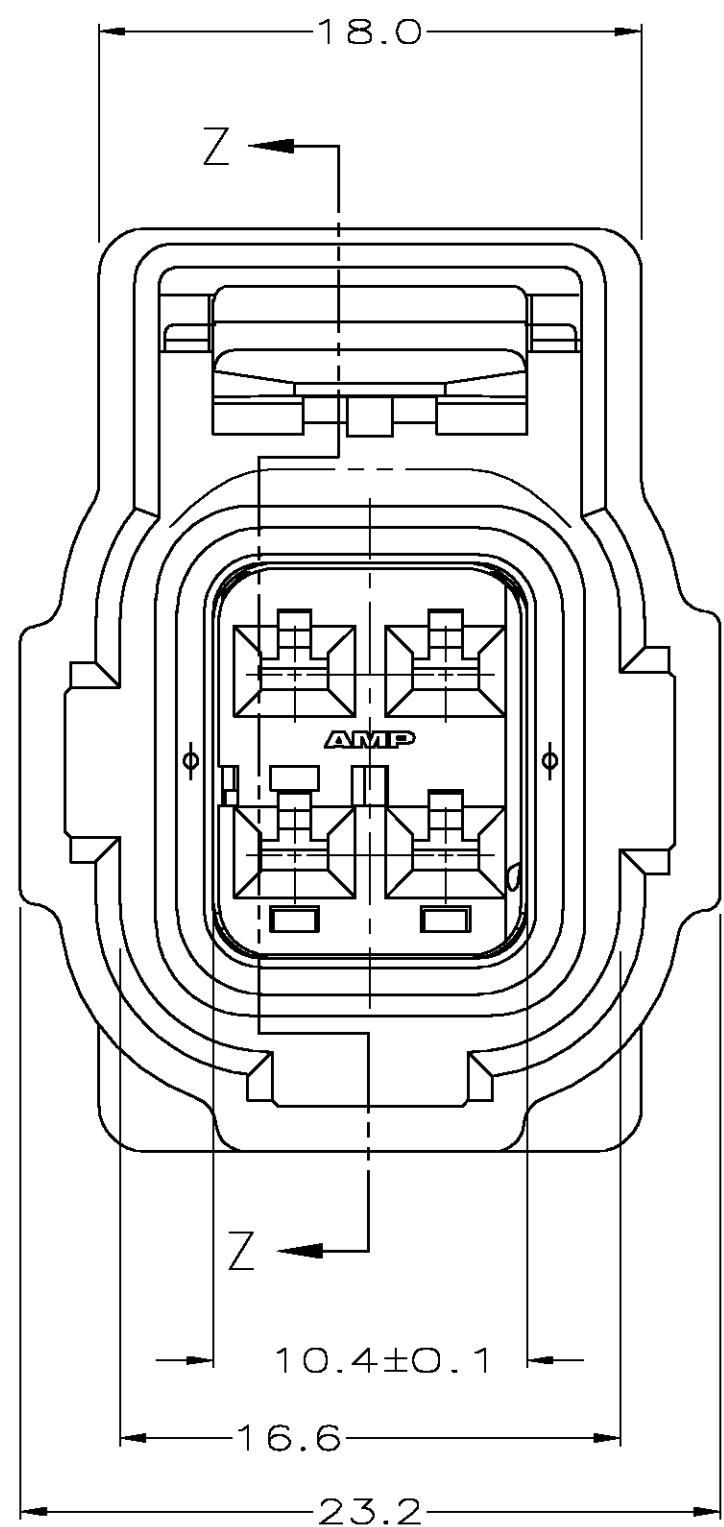
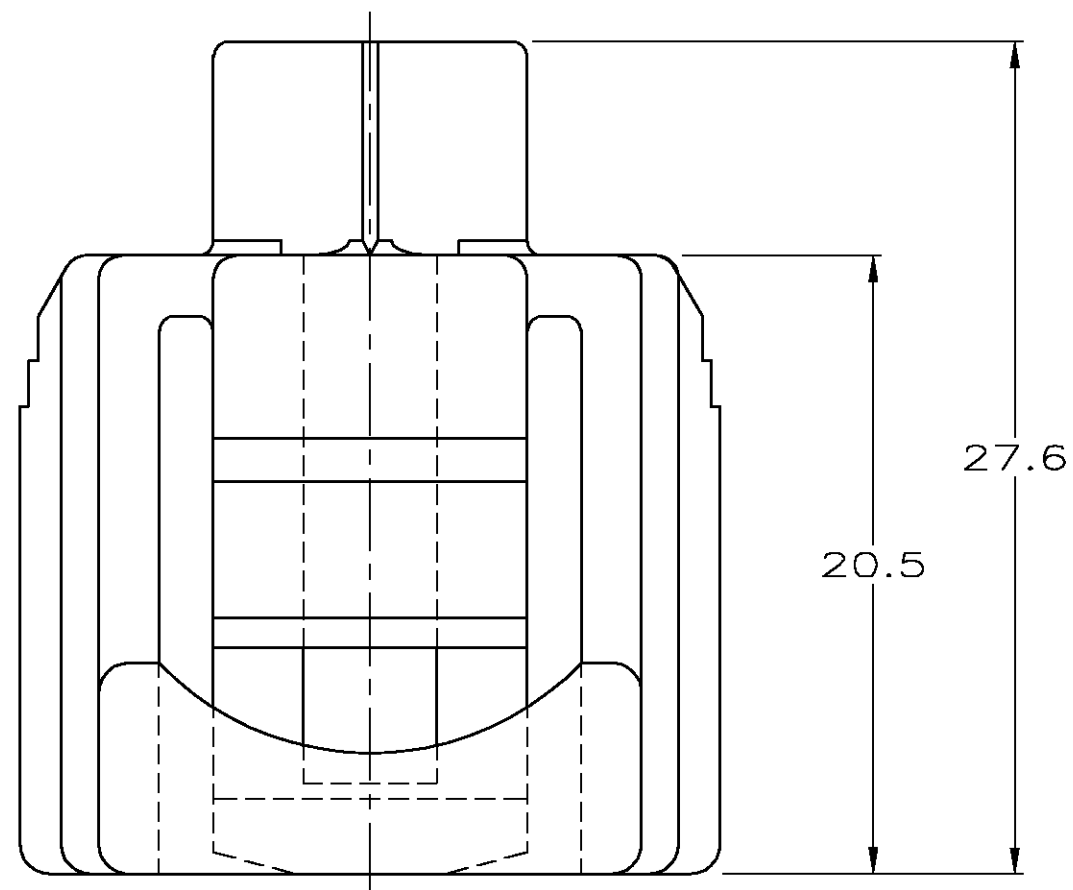


THIS DRAWING IS UNPUBLISHED. RELEASED FOR PUBLICATION
 © COPYRIGHT BY TYCO ELECTRONICS CORPORATION. ALL RIGHTS RESERVED.

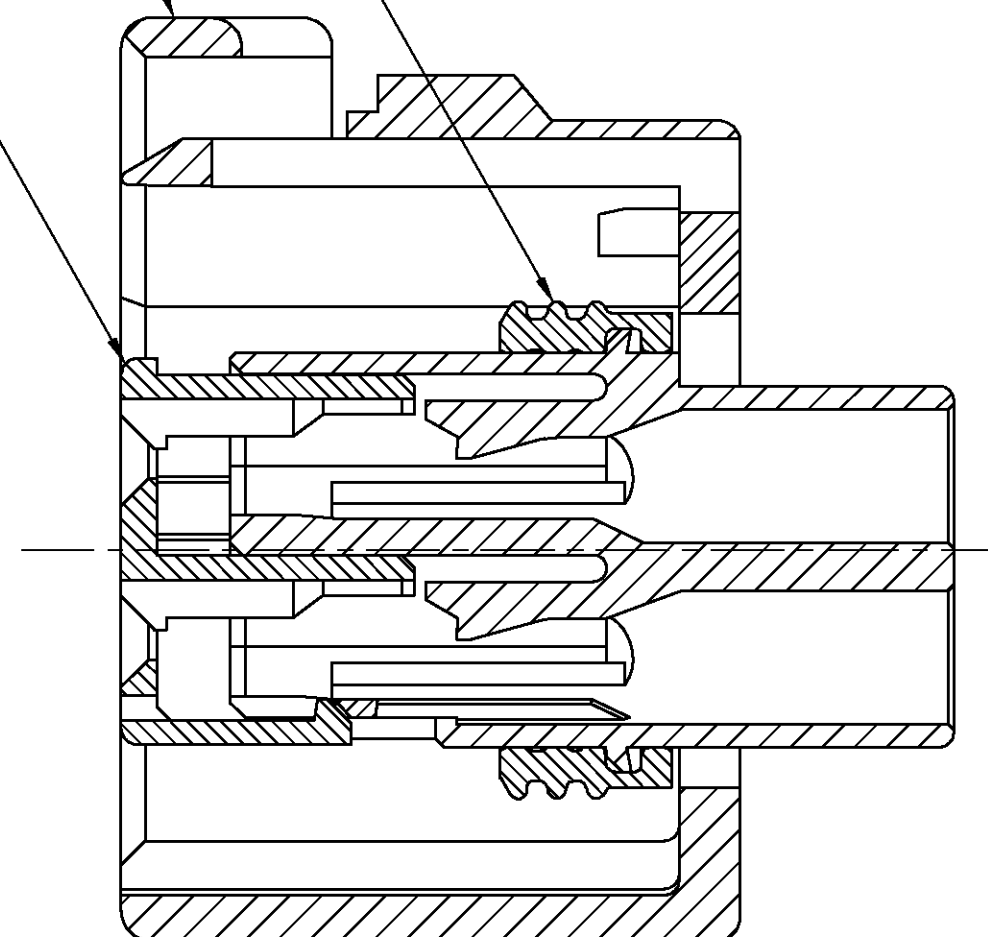
LOC		DIST		REVISIONS			
P	LTR	DESCRIPTION		DATE	DWN	APVD	
GE	00	A		RELEASED PER D06-010	09JUN05	DLD DMR	



DBL LOCK PLATE
 MATL: PBT,
 15% GLASS FILLED

PLUG HOUSING
 MATL: 4/6 NYLON, 30% GLASS FILLED
 COLOR, BLACK

SEAL RING
 MATL: SILICONE RUBBER
 COLOR, BROWN



SECTION Z-Z
 SCALE 4:1

1456554-1
 PART NUMBER

THIS DRAWING IS A CONTROLLED DOCUMENT.		DWN DL DRUMMOND 06FEB2006	 Tyco Electronics Corporation Harrisburg, Pa 17105-3608
DIMENSIONS: mm		CHK DM REVAK 06FEB2006	
TOLERANCES UNLESS OTHERWISE SPECIFIED:		APVD DM REVAK 06FEB2006	
0 PLC ± - 1 PLC ± - 2 PLC ± - 3 PLC ± - 4 PLC ± - ANGLES ± - FINISH -		PRODUCT SPEC - APPLICATION SPEC - WEIGHT -	
MATERIAL -		CUSTOMER DRAWING	NAME PLUG ASSEMBLY, 4 POSITION - 2X2, ALL CAVITIES OPEN SIZE A2 CAGE CODE 00779 DRAWING NO C=1456554 RESTRICTED TO - SCALE 4:1 SHEET 1 OF 1 REV A