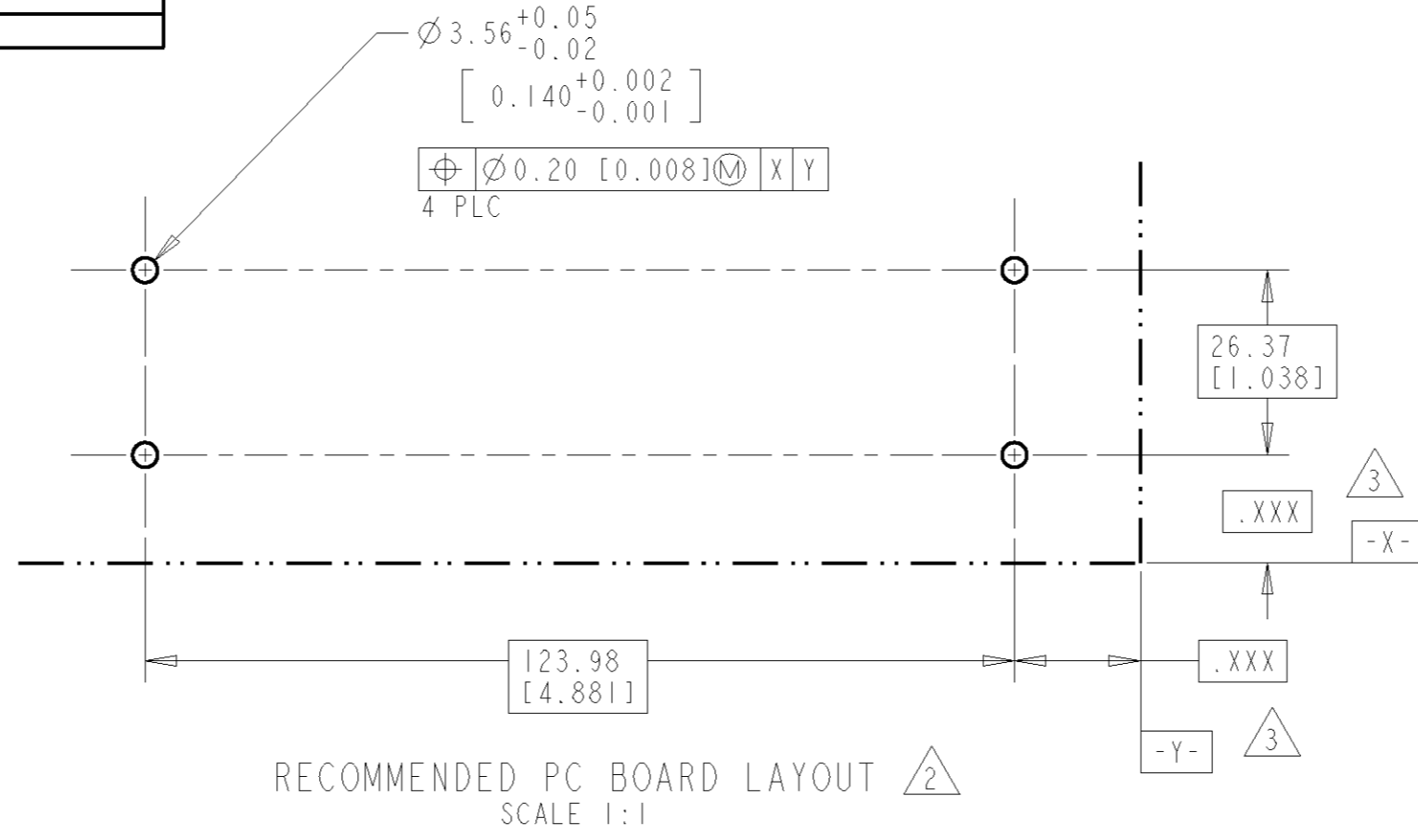
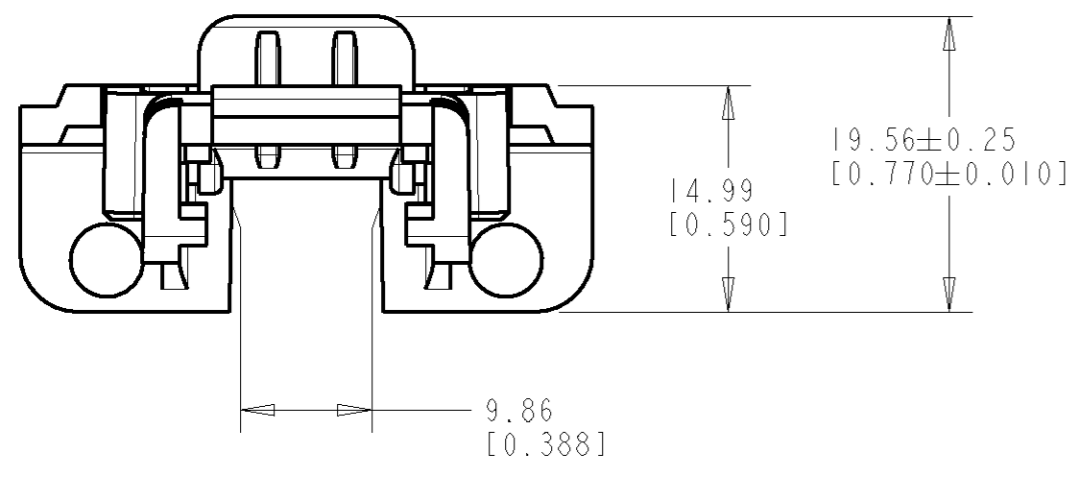
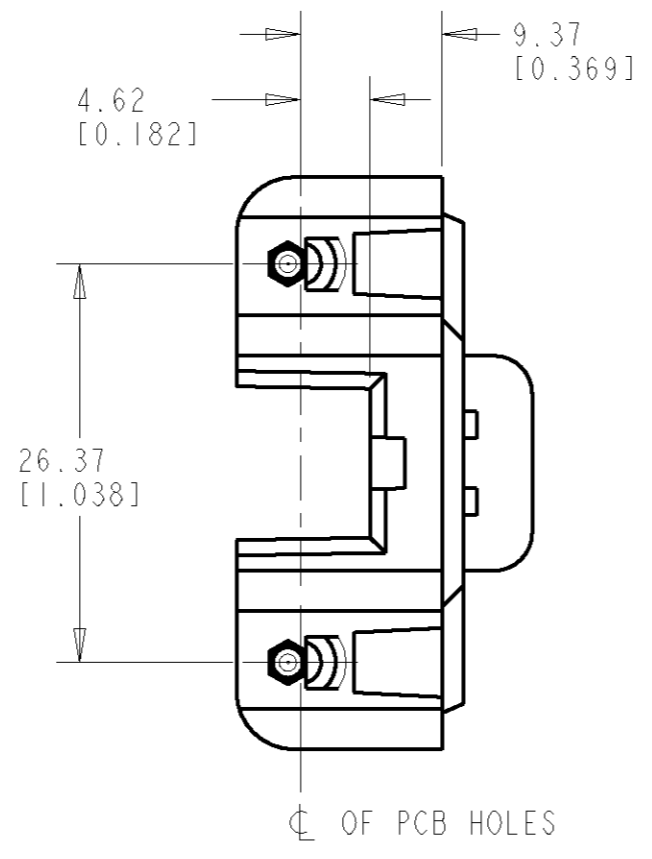
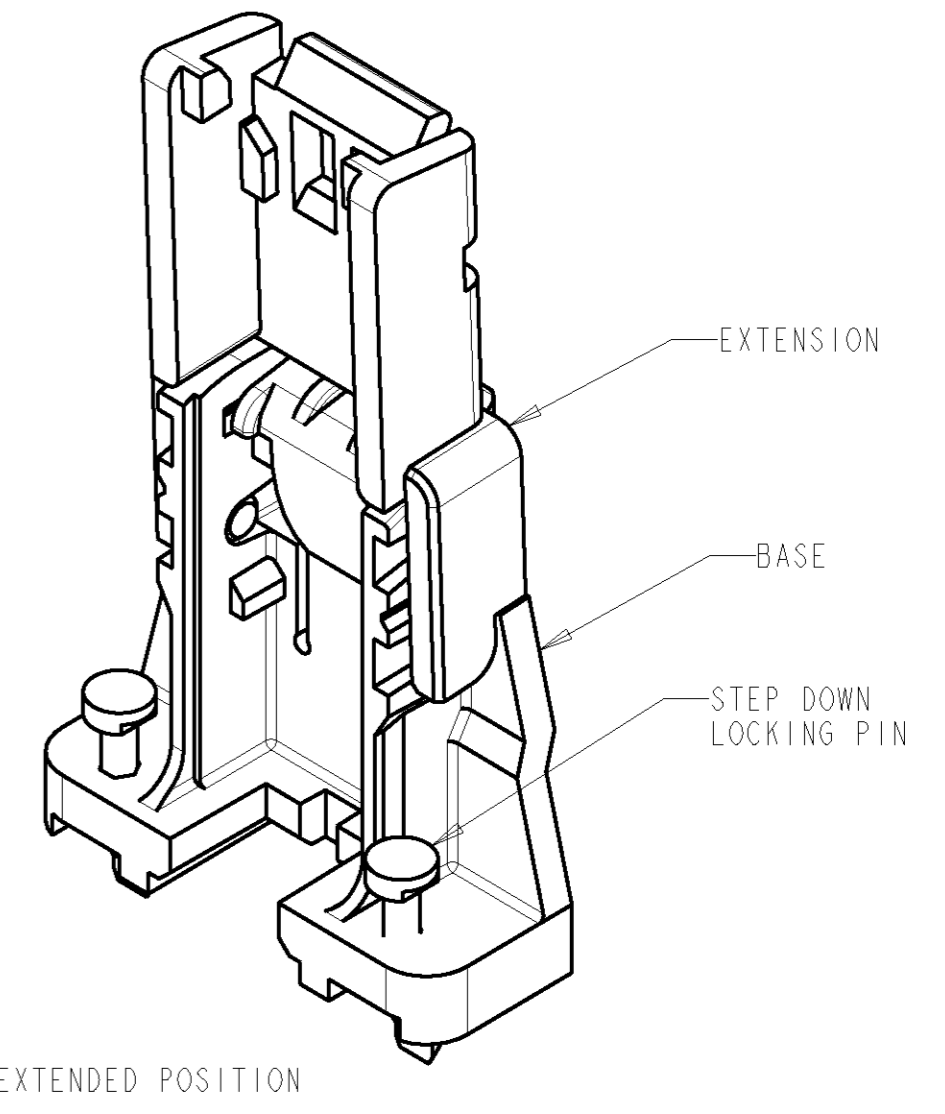
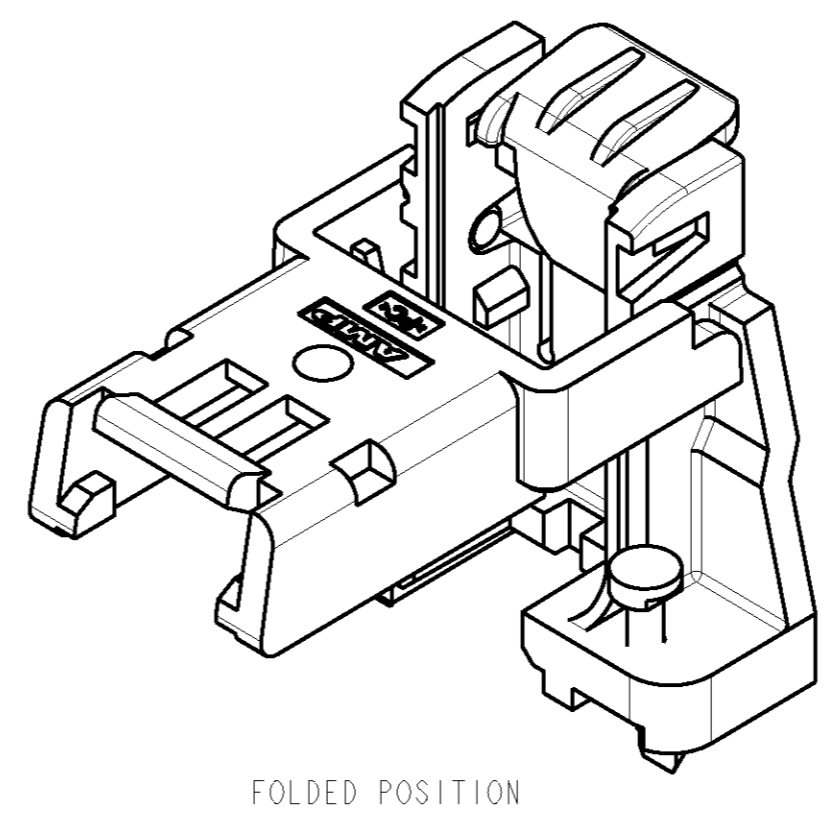
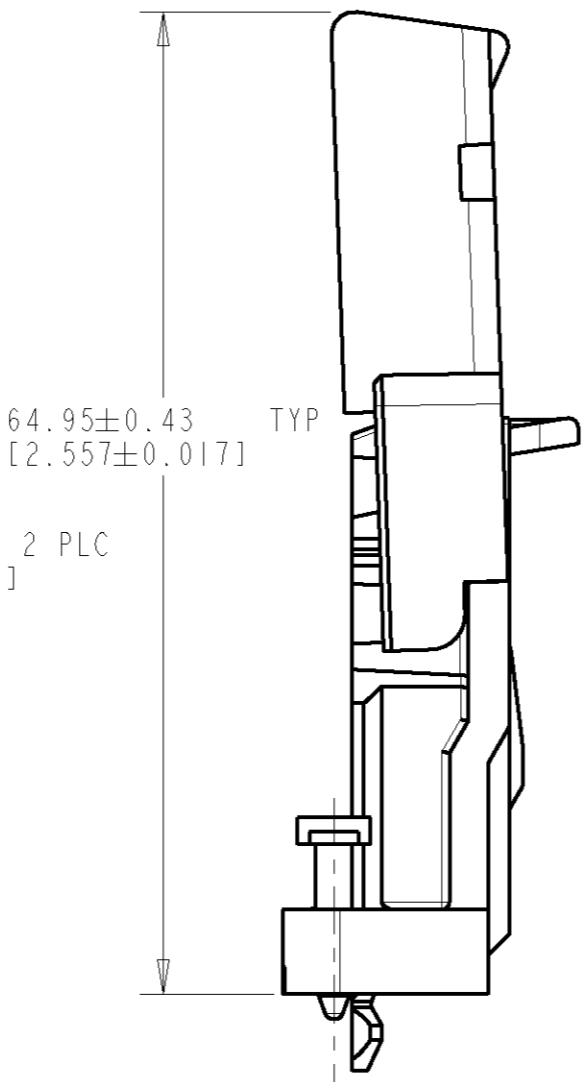
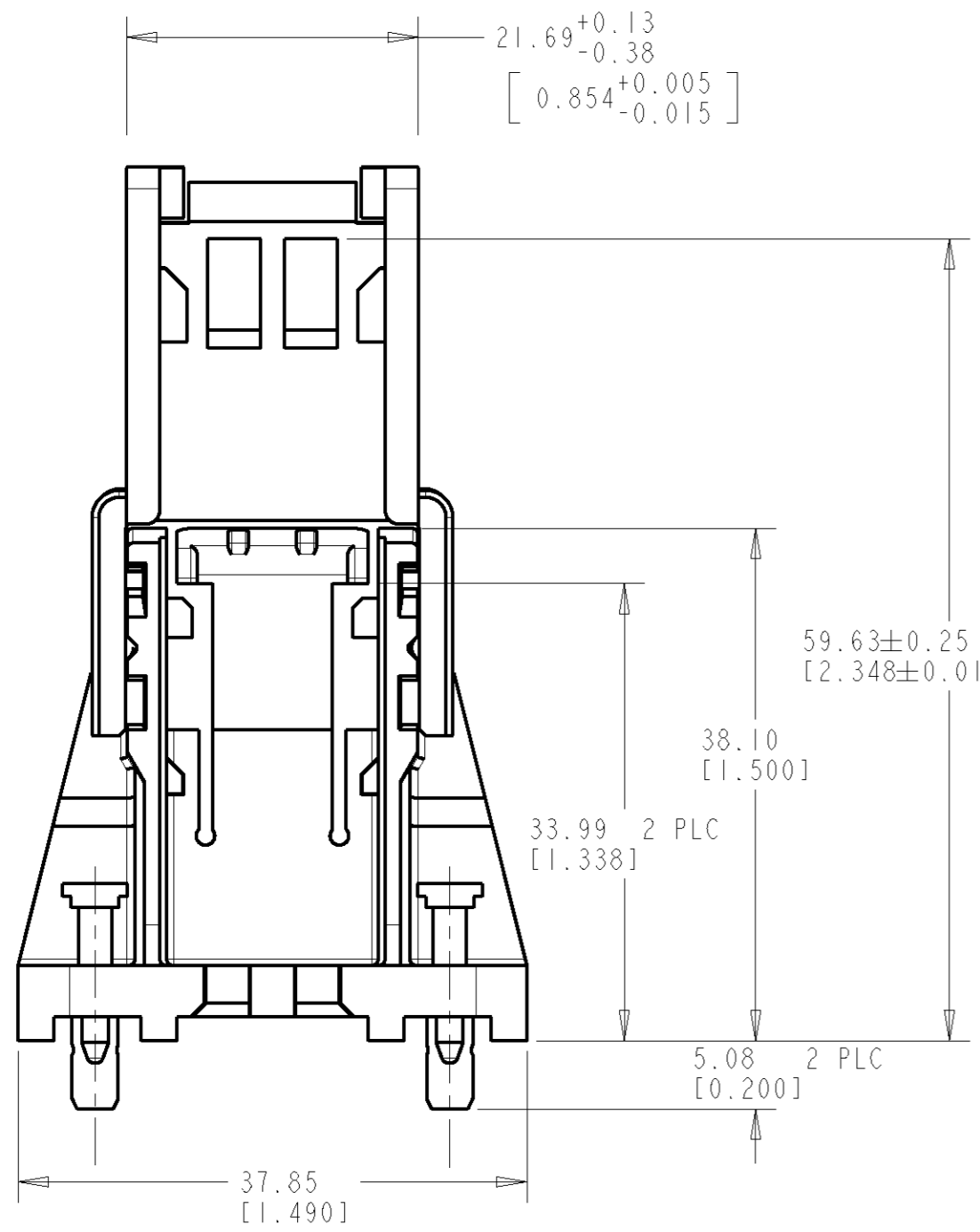


THIS DRAWING IS UNPUBLISHED. RELEASED FOR PUBLICATION .19
 © COPYRIGHT 19 BY AMP INCORPORATED. ALL RIGHTS RESERVED.

LOC	DIST	REVISIONS					
		P	LTR	DESCRIPTION	DATE	DWN	APVD
AD	14		O	RELEASED	23SEP98	RB	EL
			A	REVISED PER OG51-0241-98	29OCT98	RB	EL



- 1 ALL COMPONENTS- UL 94-VO RATED POLYCARBONATE, BLACK.
- 2 RECOMMENDED PC BOARD THICKNESS OF 1.57±0.15[.062±.006]
- 3 DATUM AND BASIC DIMENSIONS ESTABLISHED BY CUSTOMER.
- 4 BULK PACKAGED IN PARTITIONED BOXES IN THE EXTENDED POSITION
- 5 EACH PROCESSOR INSTALLATION REQ'S TWO RETENTION MODULES.



2 MODULES WITH STEP DOWN PINS	145383-2
1 MODULE WITH STEP DOWN PINS	145383-1
DESCRIPTION	5 PART NUMBER

THIS DRAWING IS A CONTROLLED DOCUMENT FOR AMP INCORPORATED. IT IS SUBJECT TO CHANGE AND THE CONTROLLING ENGINEERING ORGANIZATION SHOULD BE CONTACTED FOR THE LATEST REVISION.		DWN R BROWN 23SEP98	AMP Incorporated Harrisburg, PA 17105-3608	
DIMENSIONS: mm [INCHES]	TOLERANCES UNLESS OTHERWISE SPECIFIED: 0 PLC ± 1 PLC ± 2 PLC ±0.20[.008] 3 PLC ± 4 PLC ± ANGLES ±° FINISH -	CHK E LOTTER 23SEP98	NAME UNIVERSAL RETENTION MODULE ASSEMBLY KIT, STEPPED PIN FASTENER	
		APVD V RUMINSKI 23SEP98	PRODUCT SPEC 108-1826	APPLICATION SPEC
MATERIAL		WEIGHT	SIZE A2	CAGE CODE 00779
		CUSTOMER DRAWING	DRAWING NO 145383	RESTRICTED TO
SCALE 2:1			SHEET 1 OF 1	REV A

145383