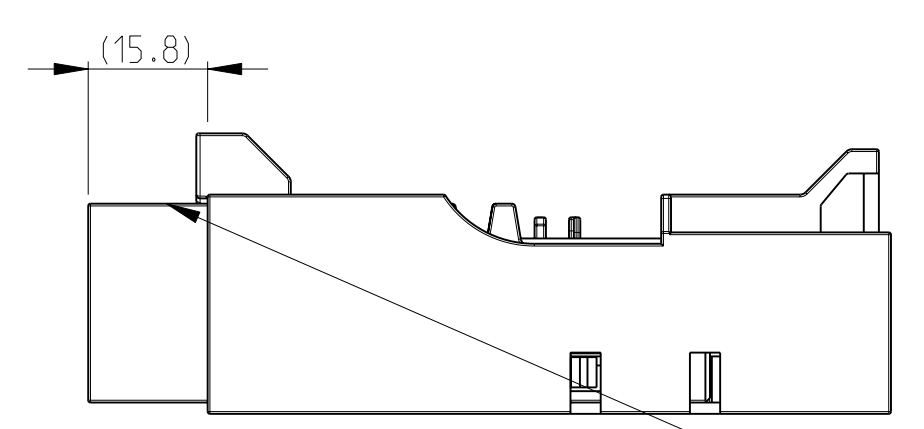
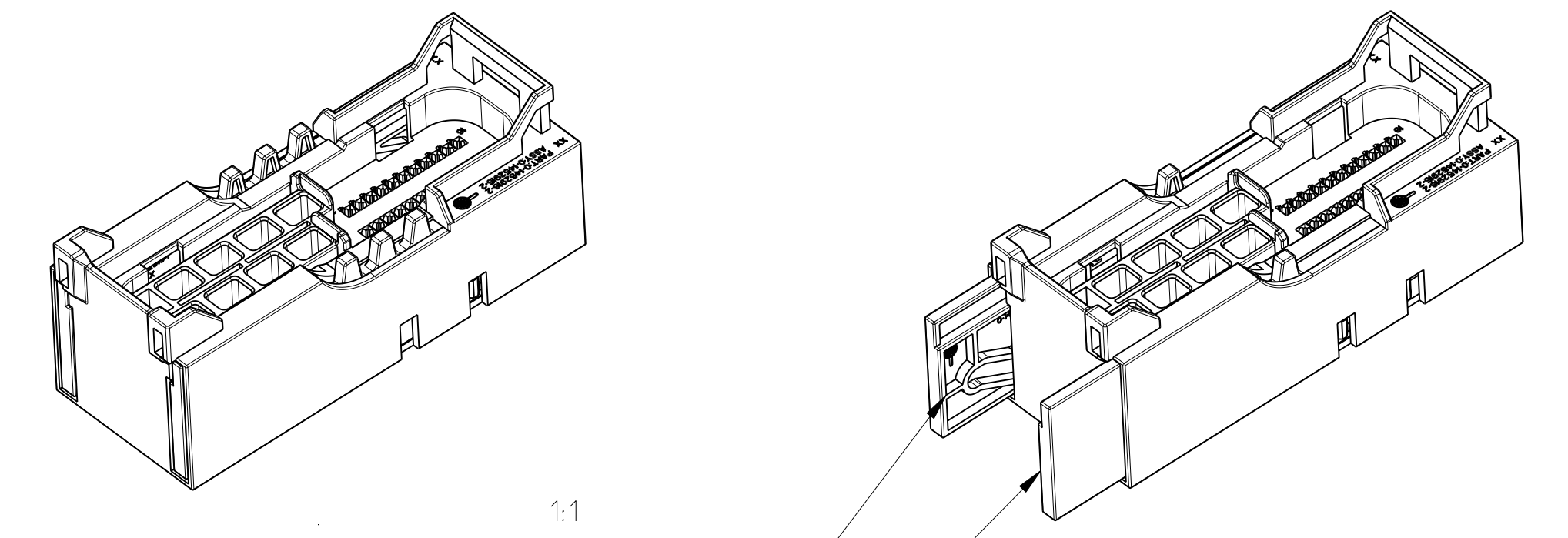
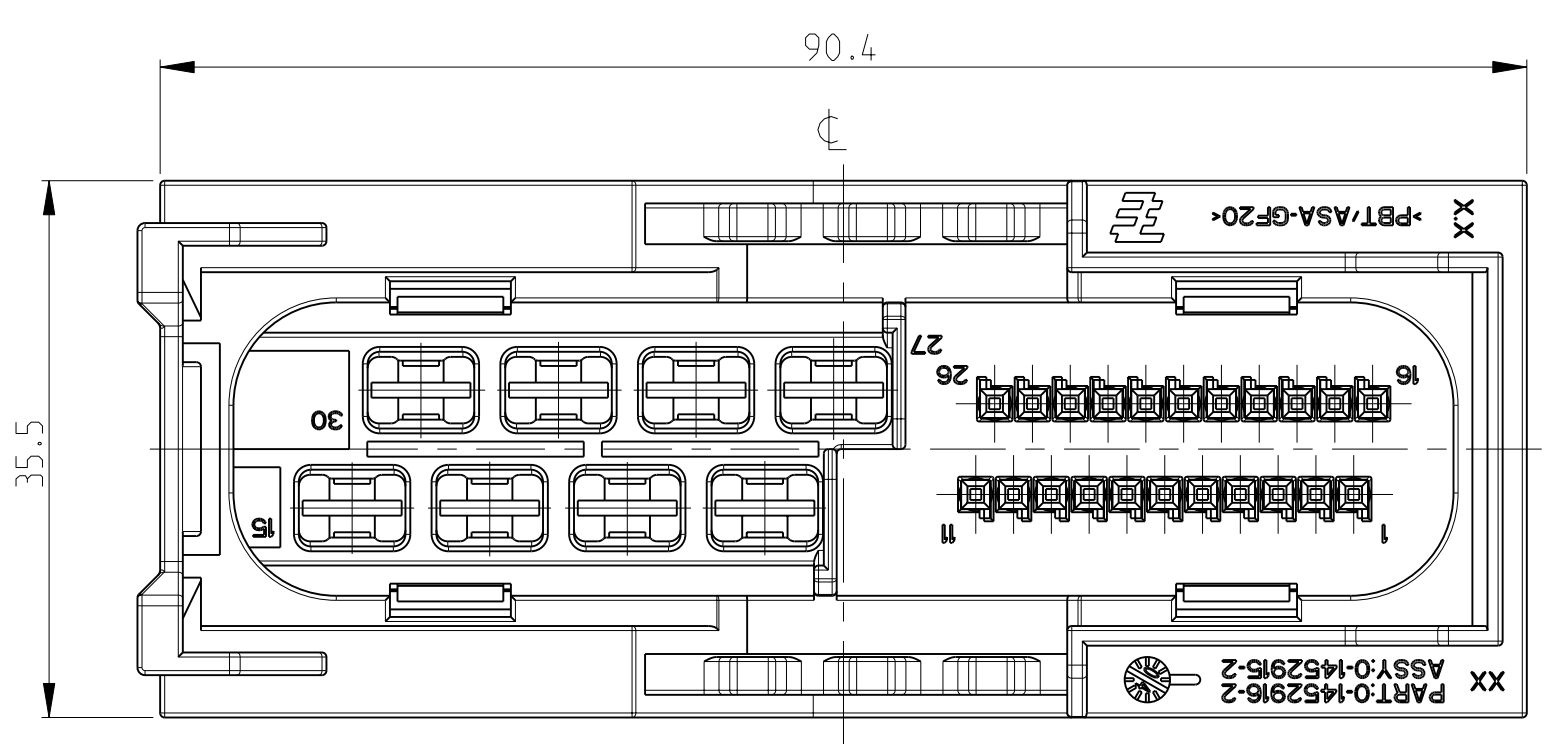
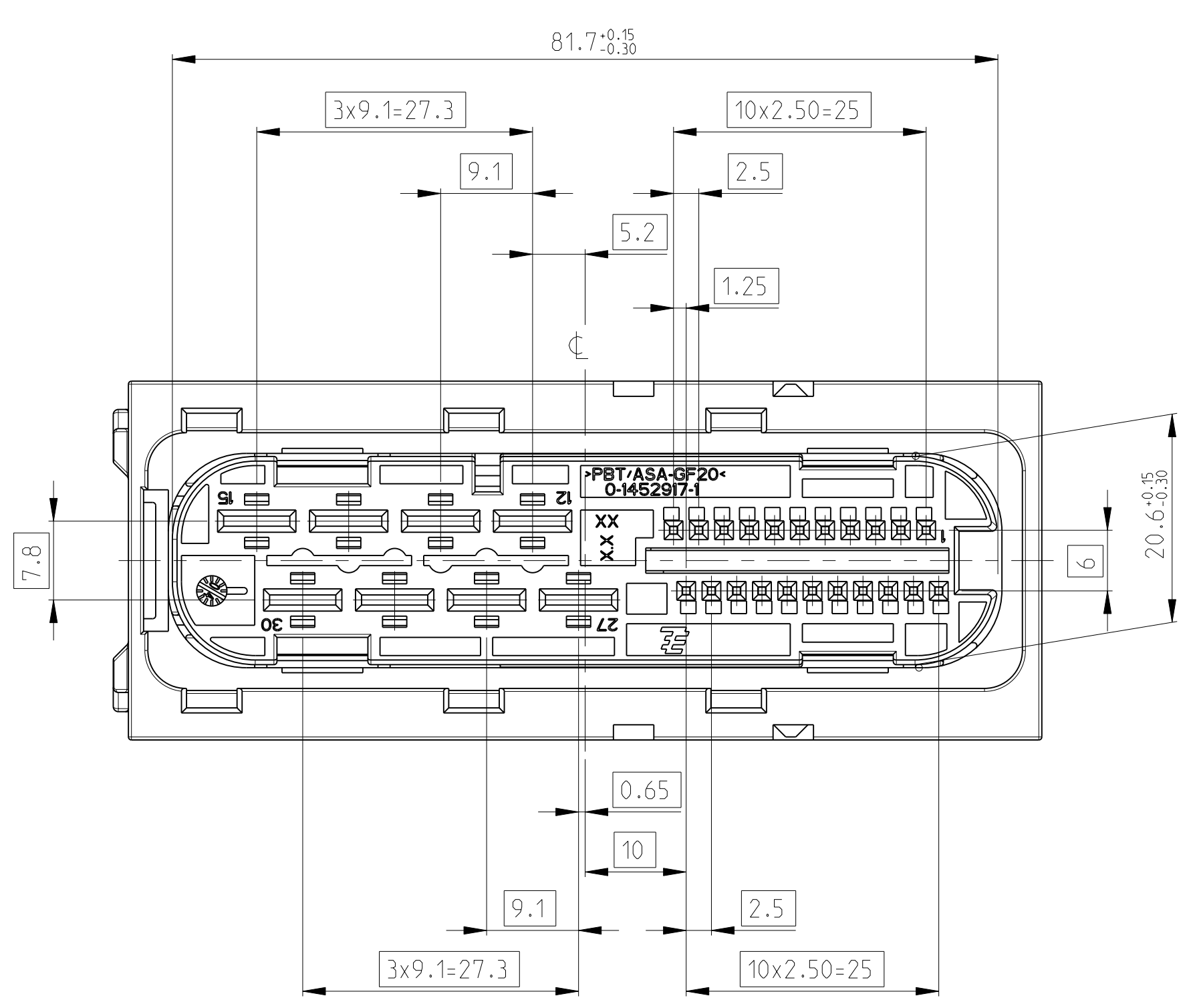
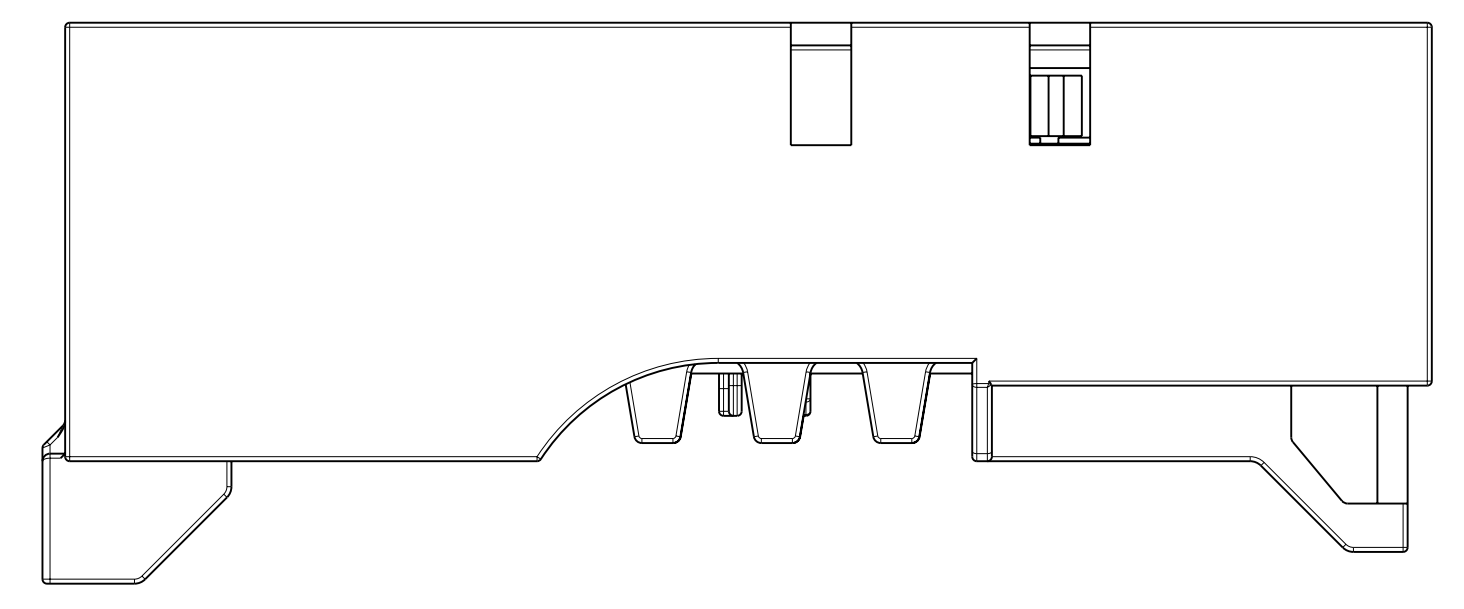
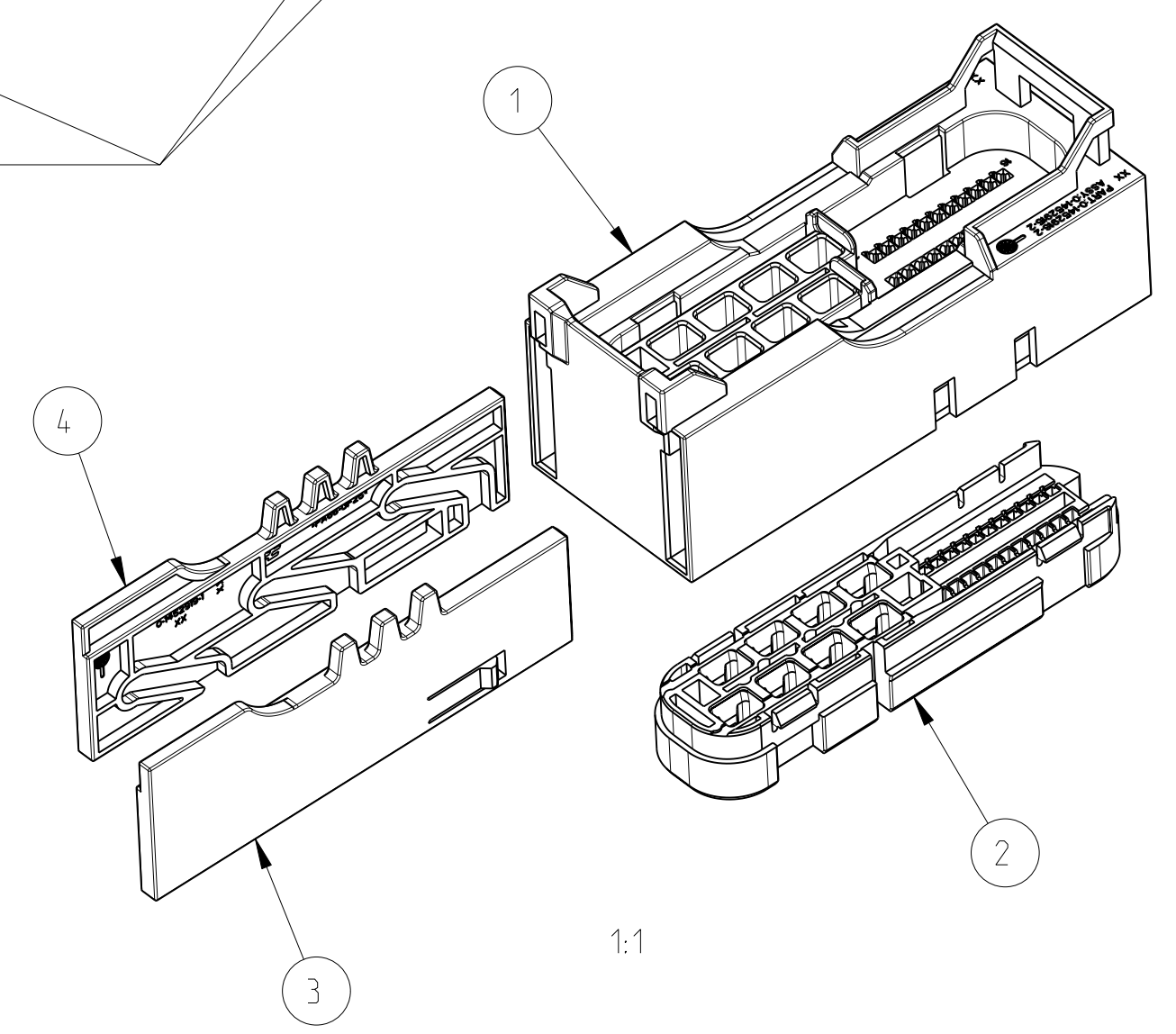
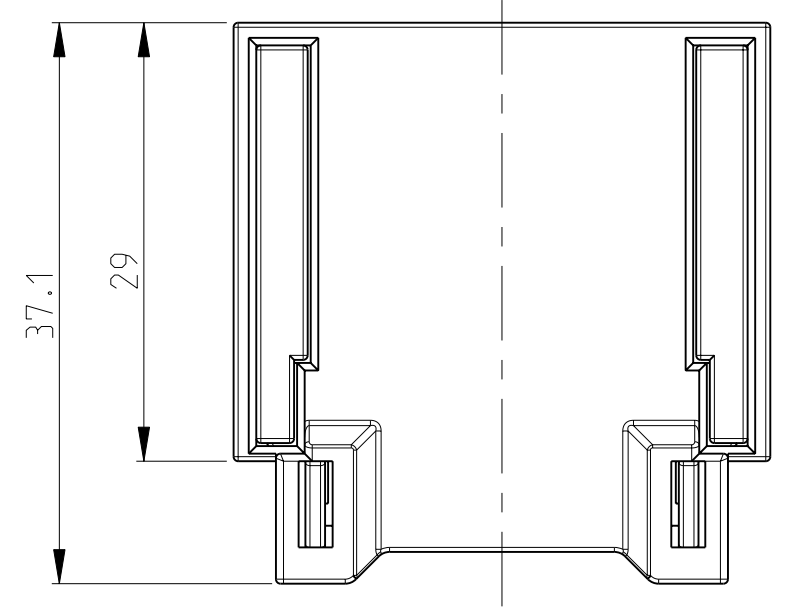


LOC	DIST	REV	DATE	BY	APP
A1	-	E1	11MAR2010	GP	GM



SLIDE IN PRELOCK POSITION
 Schieber in Vorraststellung



AMP	TE-NO	TE-Nr.	CROSS SECTION IN mm2	SURFACE AREA
1241409-1	1241408-1	-	>4.0-6.0	TIN PLATED verzinkt
1241407-3	1241406-3	-	>2.5-4.0	SILVER PLATED versilbert
1241407-1	1241406-1	-	>2.5-4.0	TIN PLATED verzinkt
1241405-1	1241404-1	-	>1.0-2.5	TIN PLATED verzinkt
1241403-1	1241402-1	-	0.50-1.0	TIN PLATED verzinkt
1241401-1	1241400-1	-	0.20-0.50	TIN PLATED verzinkt
963729-5	963715-5	-	0.75	GOLD POST PLATED vergolde
963729-1	963715-1	-	0.75	PRE-TIN vorverzinkt
963726-5	928999-5	-	0.50 / 0.35 / 0.22	GOLD POST PLATED vergolde
963726-1	928999-1	-	0.50 / 0.35 / 0.22	PRE-TIN vorverzinkt

- NOTES:
 Bemerkungen:
- DELIVERY CONDITION: SLIDE IN ENDOCK POSITION
 Auslieferungszustand: Schieber in Endraststellung
 - ASSY USED WITH HEADER:
 Assy verwendet mit folgenden Stiftgehäuse:
 TE-INTERFACE-NO: 114-18674

MATED WITH	1-1452920-1	0-1452920-1	1534358-1
1x	30POS. SLIDE RIGHT	PA66-GF25	BLACK
1x	30POS. SLIDE LEFT	PA66-GF25	BLACK
1x	30POS. CONTACT HOUSING	PBT/ASA-GF20	BLACK
1x	30POS. FEMALE HOUSING	PBT/ASA-GF20	BLACK
0-1452915-2	DESCRIPTION	MATERIAL	COLOR
E	REVISION OF EACH ASSY NO (WHEN BLANK, USE DWG REVISION)		

DIMENSIONS: mm 	TOLERANCES UNLESS OTHERWISE SPECIFIED: 9 PLC ±0.5 1 PLC ±0.5 2 PLC ±0.5 3 PLC ±0.5 4 PLC ±0.5 ANGLES ± FINISH ±	DWN G.PUCKEL 15 JUL 2004 CHK K.ROTH 15 JUL 2004 E. KLUMPER 15 JUL 2004 NAME PRODUCT SPEC APPLICATION SPEC 114-18675 WEIGHT CUSTOMER DRAW ING	Tyco Electronics Tyco Electronics AMP GmbH D - 64625 Bensheim 30POS. MIXED FEMALE CONNECTOR (22 x MQS AND 8 x MCP6.3) ASSY SIZE CAGE CODE DRAWING NO A1 00779 C=1452915 RESTRICTED TO SCALE 5:1 SHEET 1 OF 1 REV E1
-----------------------	--------------------------------------------------------------------------------------------------------------------------------------	----------------------------------------------------------------------------------------------------------------------------------------------------------------------	--------------------------------------------------------------------------------------------------------------------------------------------------------------------------------------------------------------------------------------------------

-2 AS SHOWN
 wie gezeichnet