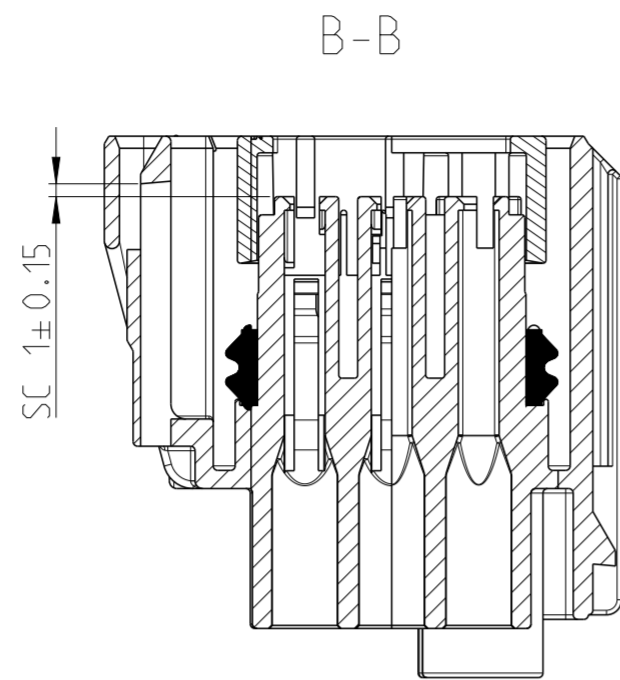
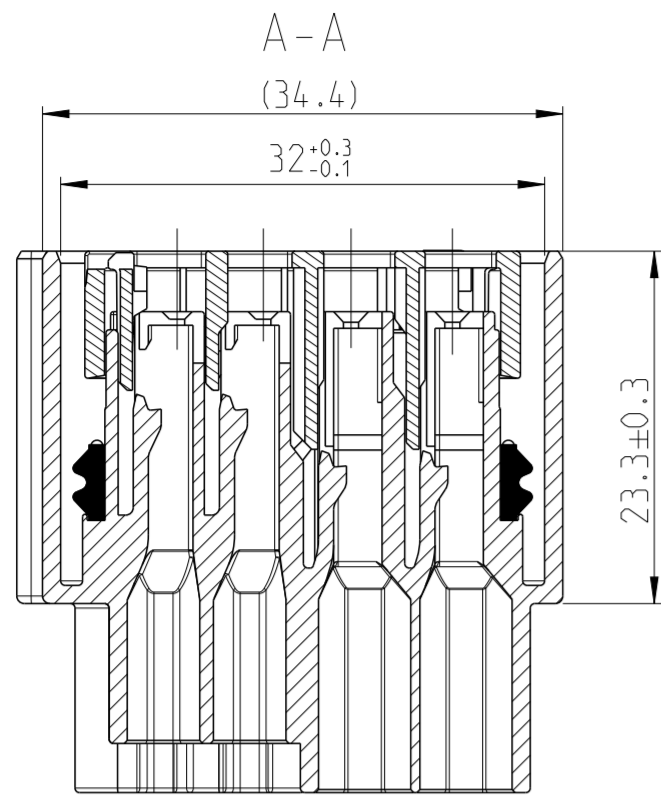


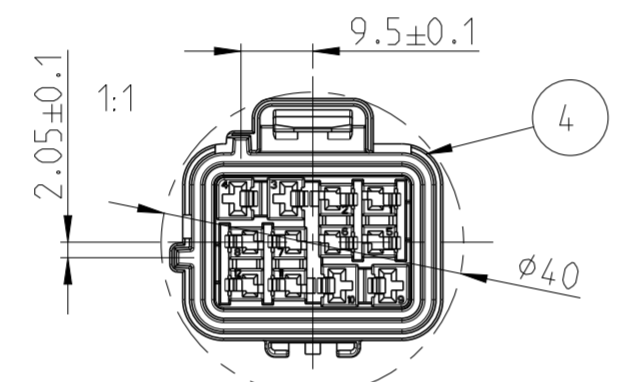
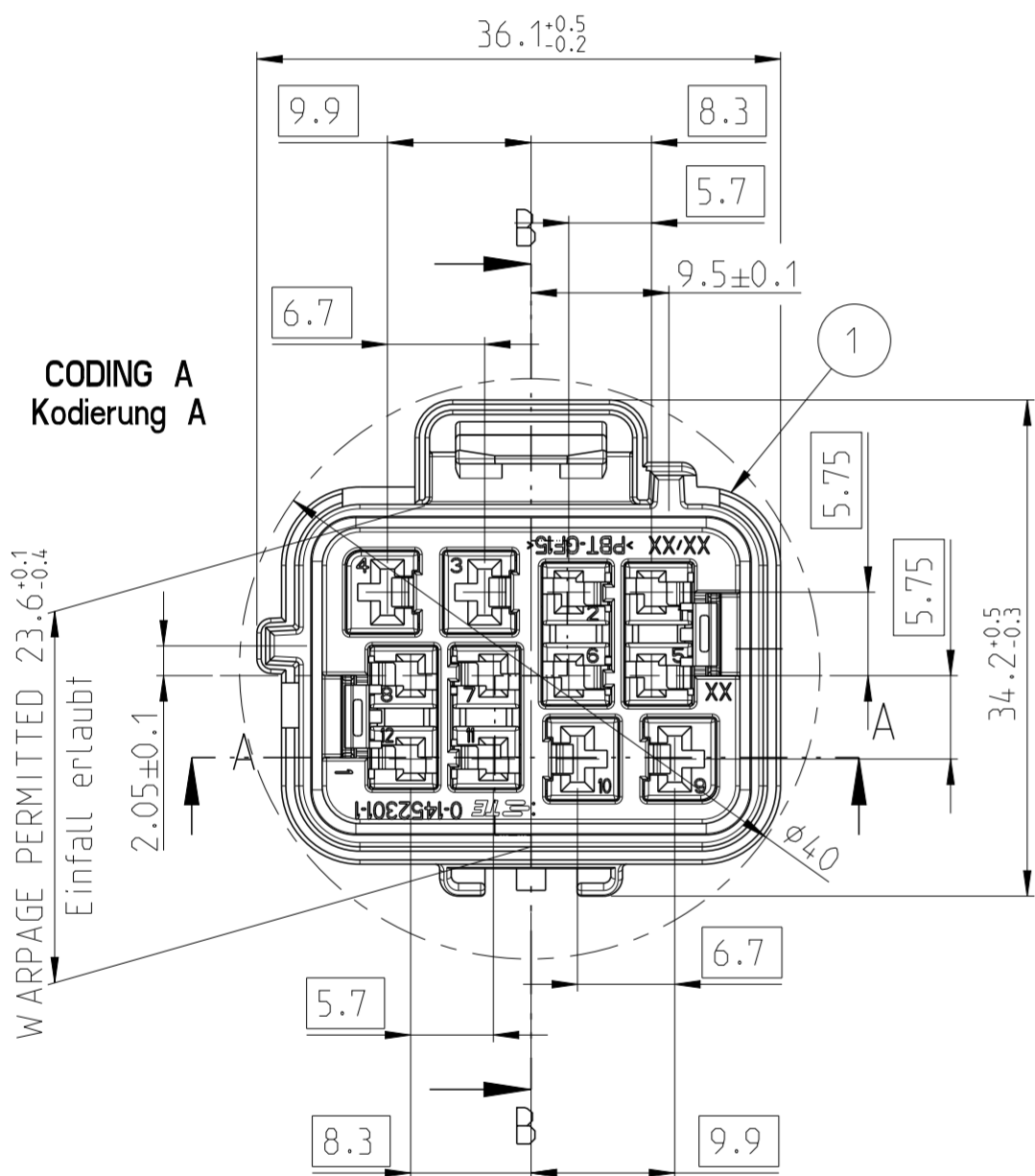
LOC	DIST	REVISIONS					
		P	LTR	DESCRIPTION	DATE	DWN	APVD
A1	-	G1		ECR-07-012716	30MAY2007	GP	GM
		G2		ECR-20-012259	31AUG2020	VKS	KR



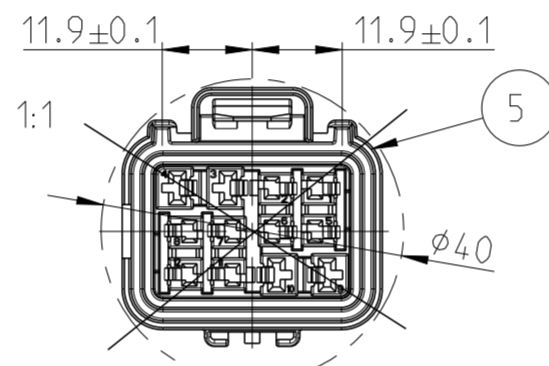
				X	X	X	X	X				2-1452299-1	B
X	X	X	X	X	X	X	X	X	X	X	X	0-1452299-3	C
X	X	X	X	X	X	X	X	X	X	X	X	0-1452299-2	B
X	X	X	X	X	X	X	X	X	X	X	X	0-1452299-1	A
1	2	3	4	5	6	7	8	9	10	11	12	ASSY NO	CODING

WITH "X" MARKED INDICATE OPEN LOCATIONS FOR TERMINALS
 Markierte Felder mit "X" kennzeichnen offene Kammern fuer Kontakte
 BLANKED CAVITIES INDICATE CLOSED LOCATIONS
 Leere Felder kennzeichnen geschlossene Kammern

1.5MM FEMALE TERMINAL SEALED
 SUITABLE TERMINALS: FORD CAT2 (SUPPLIER YAZAKI)
 2.8MM FEMALE TERMINAL SEALED
 SUITABLE TERMINALS: FORD CAT3 (SUPPLIER YAZAKI OR TYCO)

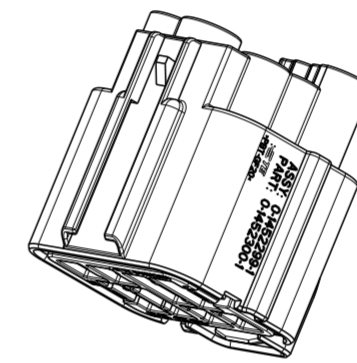
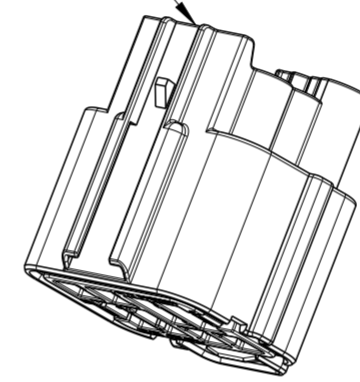


CODING B
 Kodierung B

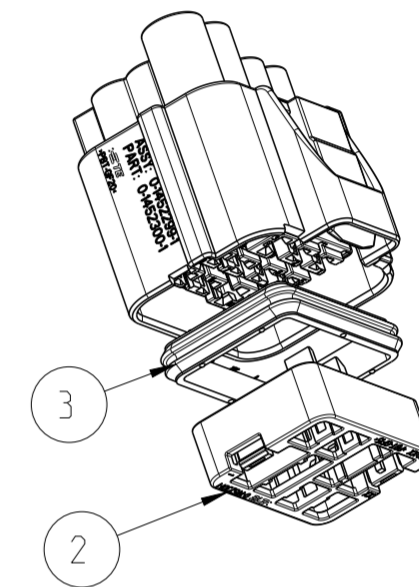


CODING C
 Kodierung C

OPTINAL FEATURES:
 Optionale Merkmale:



1:1



NOTES:
 Bemerkungen:
 1 DELIVERY CONDITION: SPACER IN PRE LOCK POSITION
 Anlieferungszustand: Spacer in Vorraststellung
 SC SIGNIFICANT CHARACTERISTIC
 Significantes Merkmal

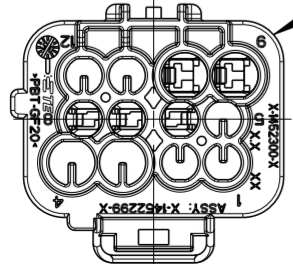
G2 APPLICABLE COMPONENTS

ITEM	DESCRIPTION	PLATING/MATERIAL	TE PART NO.	YAZAKI PART NO.
1	1.5mm FEMALE TERMINAL SYSTEM (0.35-0.5mm ²)	TIN	-	7116-4102-02
	1.5mm FEMALE TERMINAL SYSTEM (0.75-1.0mm ²)	TIN	-	7116-4103-02
2	WIRE SEAL (1.5mm) (0.35-0.5mm ²) (RED)	SILICONE	-	7158-3030-50
3	WIRE SEAL (1.5mm) (0.75-1.0mm ²) (BLUE)	SILICONE	-	7158-3031-90
4	BLIND PLUG (1.5mm) (GREEN)	SILICONE	-	7158-3032-60
5	2.8mm FEMALE TERMINAL SYSTEM (0.35mm ²)	TIN	0-1326032-1	-
	2.8mm FEMALE TERMINAL SYSTEM (0.5mm ²)	TIN	0-1326032-2	-
	2.8mm FEMALE TERMINAL SYSTEM (0.75-1.0mm ²)	TIN	0-1326032-3	-
	2.8mm FEMALE TERMINAL SYSTEM (AW G16)	TIN	0-1326032-4	-
	2.8mm FEMALE TERMINAL SYSTEM (1.5-2.5mm ²)	TIN	0-1326032-5	-
6	WIRE SEAL (2.8mm) (0.35-0.5mm ²) (GREEN)	SILICONE	-	7158-3111-60
7	WIRE SEAL (2.8mm) (0.75-1.0mm ²) (YELLOW)	SILICONE	-	7158-3112-70
8	WIRE SEAL (2.8mm) (1.5-2.5mm ²) (WHITE)	SILICONE	-	7158-3113-40
9	BLIND PLUG (2.8mm) (BLUE)	SILICONE	-	7158-3114-90

1x				PBT-GF20	FEMALE HSG. CODING B	green	6
	1x			PBT-GF20	FEMALE HSG. CODING C	nature	5
		1x		PBT-GF20	FEMALE HSG. CODING B	green	4
1x	1x	1x	1x	SILICON	PERIPHERAL SEAL	orange	3
1x	1x	1x	1x	PBT-GF15	SPACER	red	2
			1x	PBT-GF20	FEMALE HSG. CODING A	black	1
				MATERIAL	DESCRIPTION	COLOUR	ITEM NO
G		G	G	REVISION OF EACH ASSY NO (WHEN BLANK, USE DWG REVISION)			
19.2		19.2	19.2	WEIGHT OF EACH ASSY NO [g]			
2-1452299-1	0-1452299-3	0-1452299-2	0-1452299-1	TYCO ASSY PN			
B	C	B	A	CODING			
2-1452303-1	0-1452303-3	0-1452303-2	0-1452303-1	MATING COMPONENT TYCO ASSY PN			
PARTS LIST							

2-1452299-1
CODING B
 Kodierung B

1:1



-1 AS SHOWN
 wie gezeichnet

THIS DRAWING IS A CONTROLLED DOCUMENT FOR TYCO ELECTRONICS CORPORATION
 IT IS SUBJECT TO CHANGE AND THE CONTROLLING ENGINEERING ORGANIZATION
 SHOULD BE CONTACTED FOR THE LATEST REVISION.

DWN: S. Denter 15 JUL 2002
 CHK: G. PUCKEL 04 OCT 2002
 APVD: G. MUMPER 04 OCT 2002

DIMENSIONS: mm
 TOLERANCES UNLESS OTHERWISE SPECIFIED:
 0 PLC ±-
 1 PLC ±-
 2 PLC ±-
 3 PLC ±-
 4 PLC ±-
 ANGLES ±5
 MATERIAL FINISH

tyco Electronics AMP GmbH
 D - 64625 Bensheim

NAME: 12 POS. INLINER TO REAR BUMPER CON. ASSY FEMALE HOUSING

SIZE: A2 CAGE CODE: 00779 DRAWING NO: G-1452299 RESTRICTED TO: G2

CUSTOMER DRAWING SCALE: 2:1 SHEET 1 OF 1 REV: G2