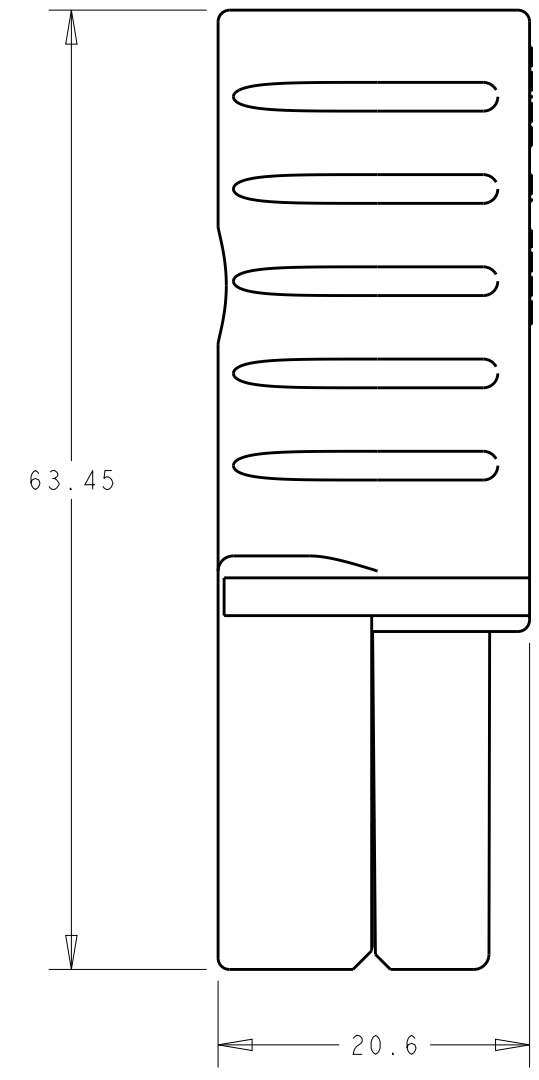
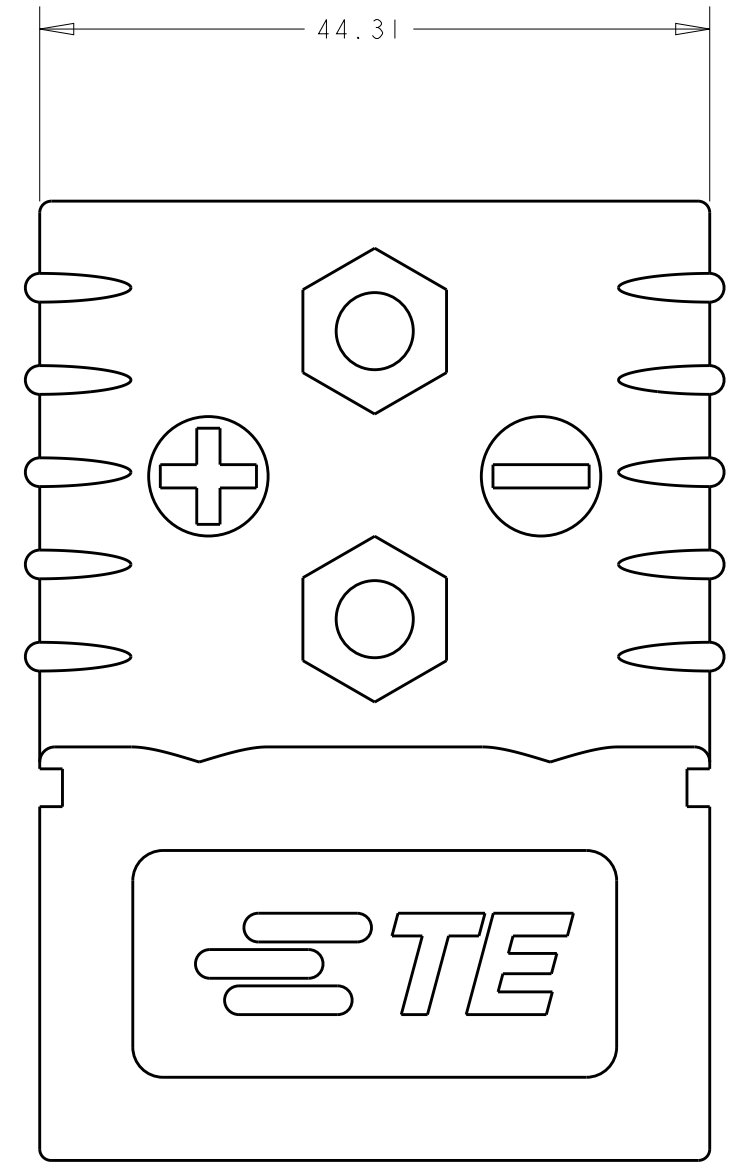
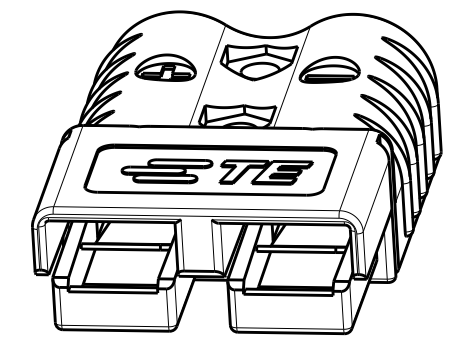


THIS DRAWING IS UNPUBLISHED. RELEASED FOR PUBLICATION 20
 © COPYRIGHT 20 BY - ALL RIGHTS RESERVED.

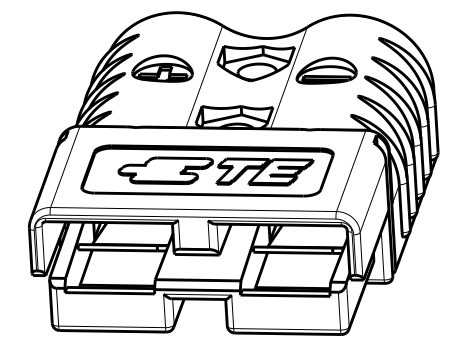
REVISIONS				
P	LTR	DESCRIPTION	DATE	APVD
	C2	REVISED PER ECO-13-017812	13NOV2013	AY SZ



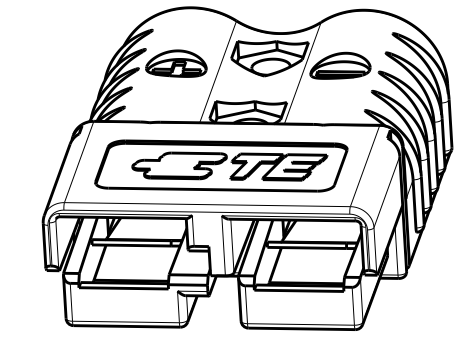
1. THIS PRODUCT HAS PASSED QUALIFICATION AND AGENCY APPROVALS TESTING AND IS COMPONENT RECOGNIZED PER UL 1977 AND CSA 22.2. TE PRODUCT



1445994-1
SCALE 1:1

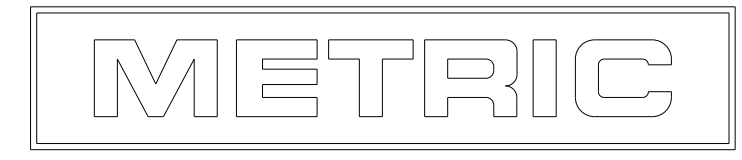


1445994-2
SCALE 1:1



1445994-3
SCALE 1:1

RED	1445994-3
BLUE	1445994-2
GRAY	1445994-1
COLOR	PART NUMBER



THIS DRAWING IS A CONTROLLED DOCUMENT.		DWN BH	28NOV01	TE Connectivity NAME SUB-ASSEMBLY AMP POWER SERIES 120	
DIMENSIONS:		CHK KAK	28NOV01		
TOLERANCES UNLESS OTHERWISE SPECIFIED:		APVD KAK	28NOV01		
mm		PRODUCT SPEC	-		
0 PLC ±0.13 1 PLC ±0.13 2 PLC ±0.13 3 PLC ±0.13 4 PLC ± ANGLES ± FINISH		APPLICATION SPEC	-	SIZE	A2
MATERIAL		WEIGHT	-	CAGE CODE	-
-		CUSTOMER DRAWING	-	DRAWING NO	C-1445994
-		SCALE	2:1	RESTRICTED TO	-
-		SHEET	1	OF	1
-		REV	C2		