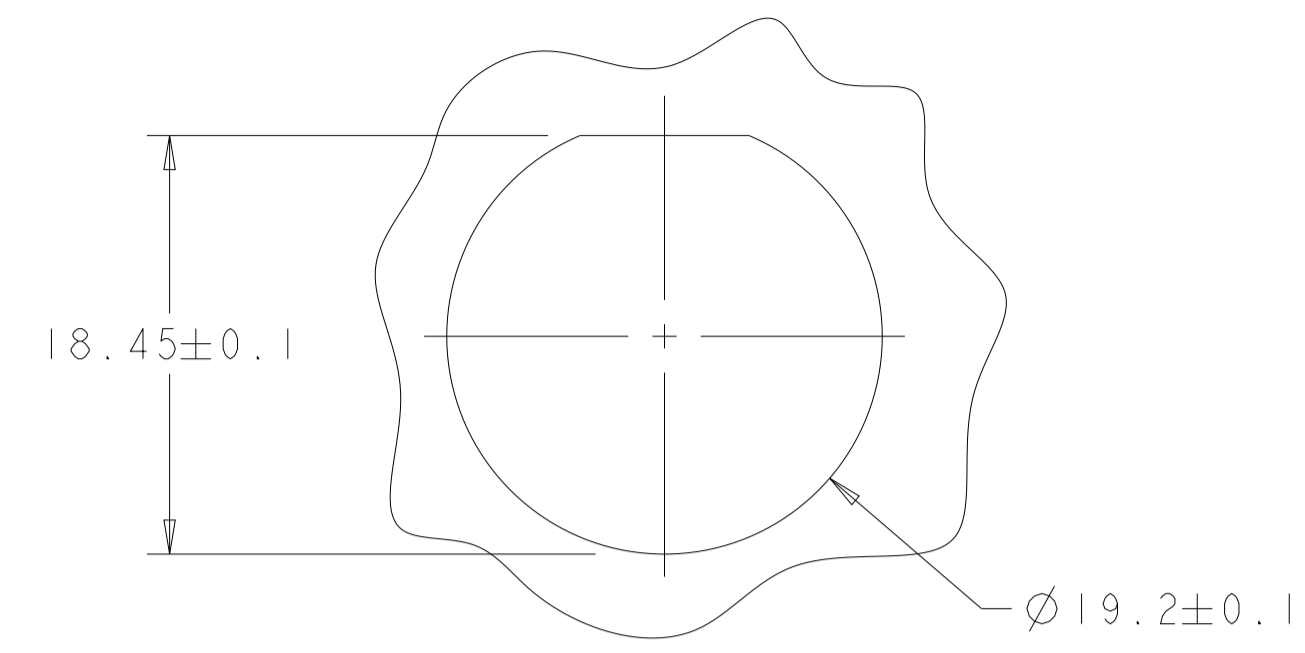
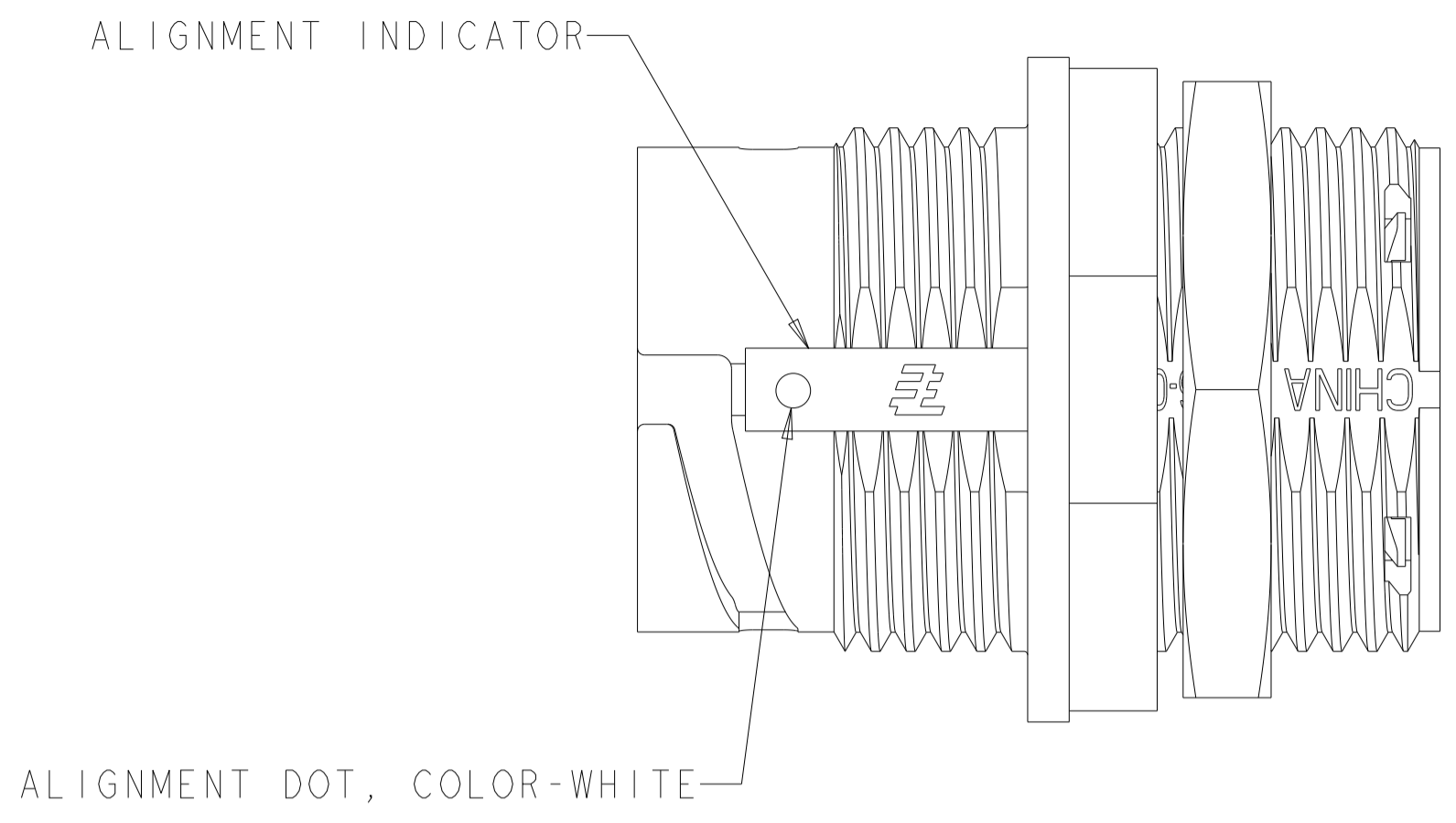


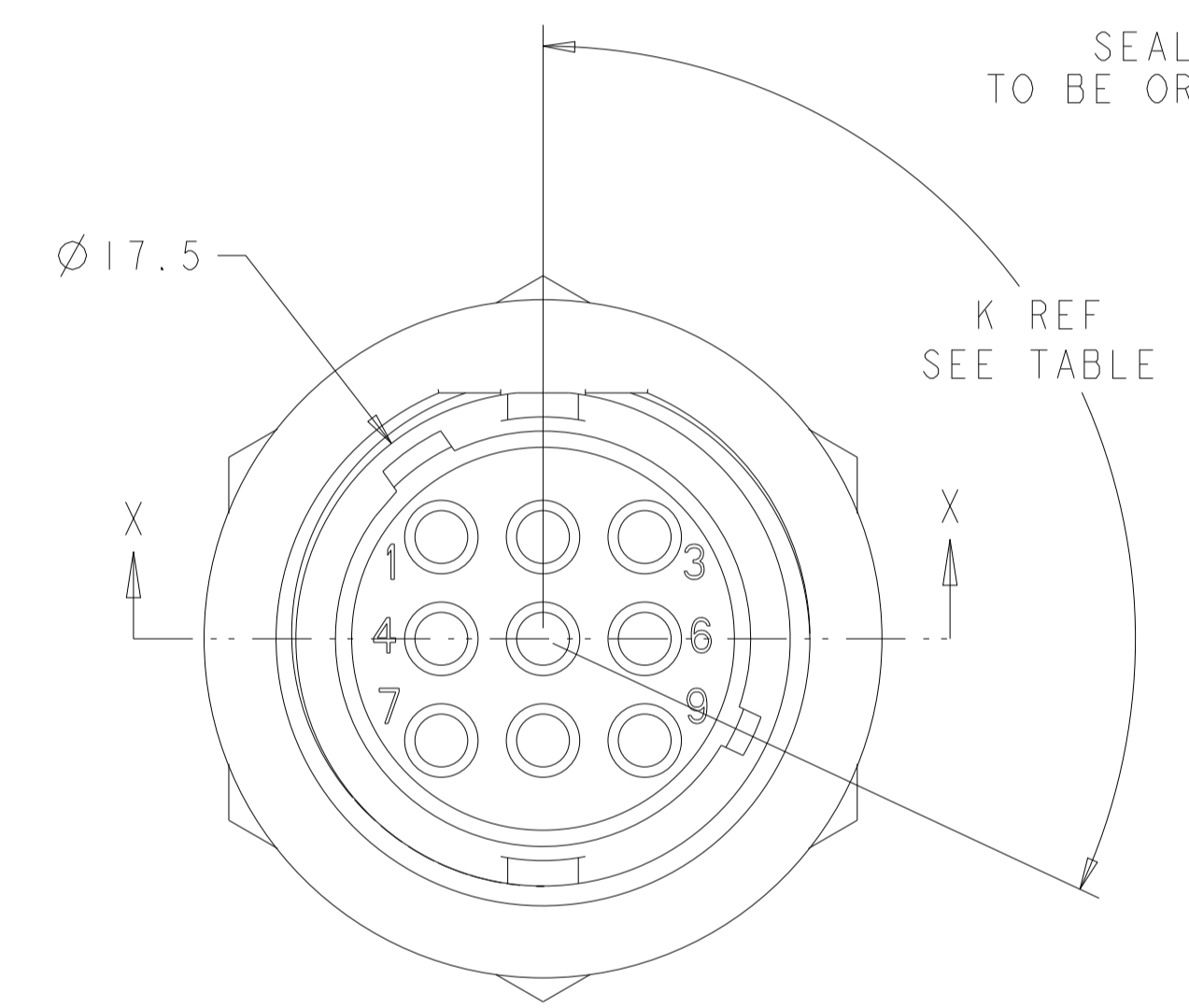
REVISIONS					
P	LTN	DESCRIPTION	DATE	OWN	APVD
E		REVISED PER ECN-22-136865	01FEB2022	RK	MZ



SUGGESTED PANEL CUTOUT Δ
 SCALE 3:1

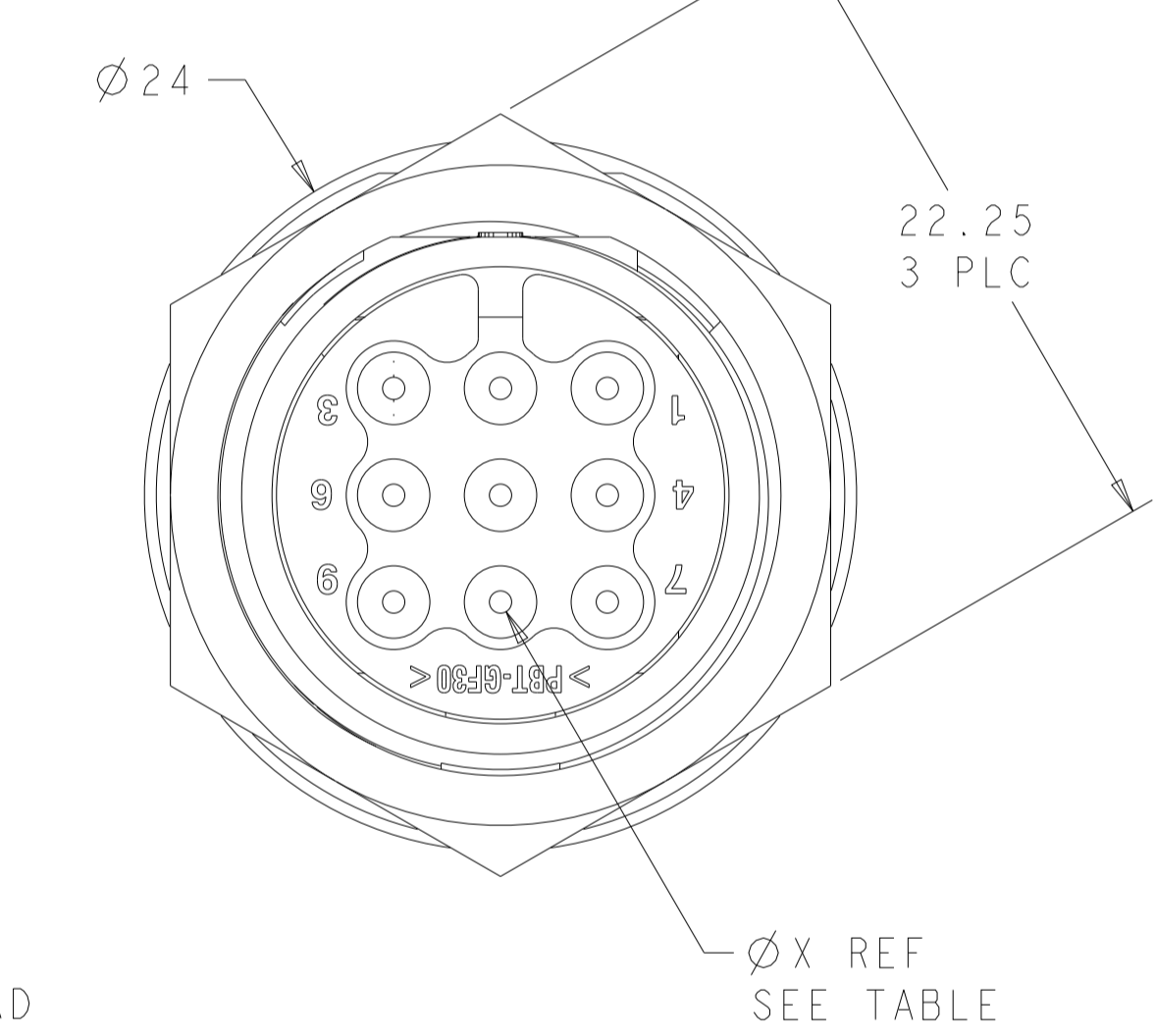
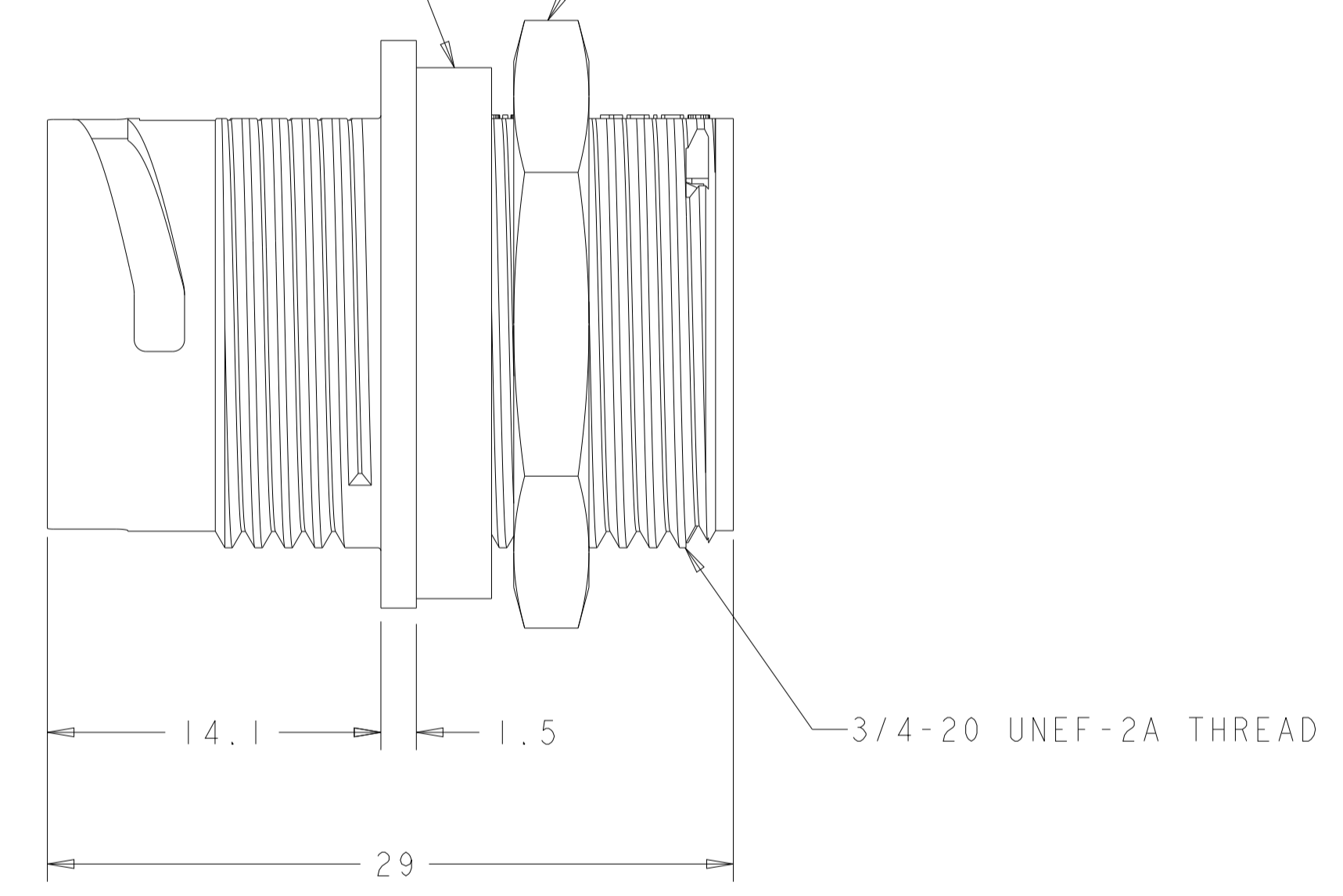


1. CONNECTOR CAN BE FRONT OR REAR PANEL MOUNTED.
 Δ MAX PANEL THICKNESS - 3.18

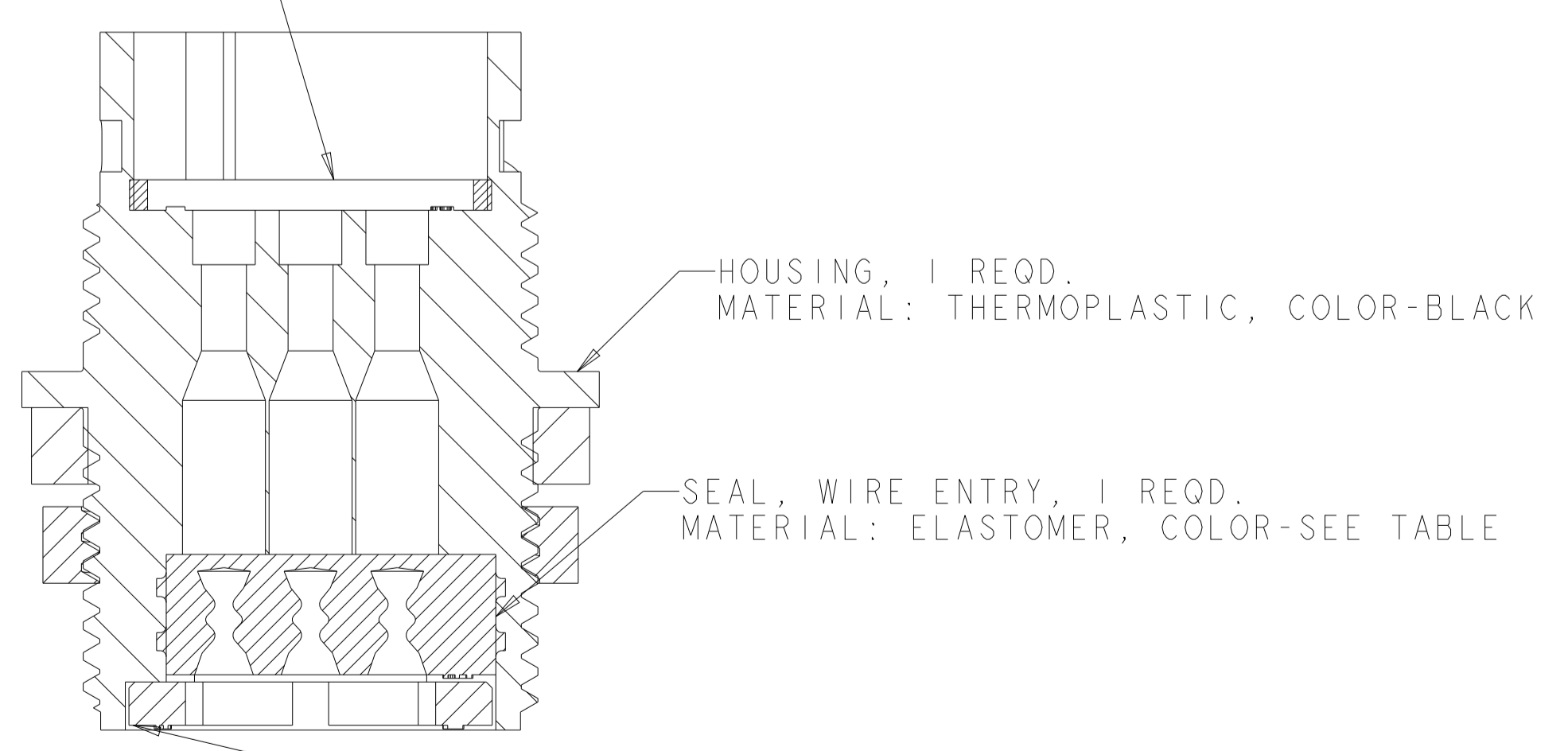


SEAL, PANEL; SHOWN FOR REFERENCE ONLY, TO BE ORDERED SEPARATELY, PART #1445420-02

JAM NUT, SHOWN FOR REFERENCE ONLY, TO BE ORDERED SEPARATELY, PART # 1445904-1



SEAL, PERIPHERAL, 1 REQD.
 MATERIAL: ELASTOMER, COLOR-BLACK



SECTION X-X
 RETAINER, SEAL, 1 REQD.
 MATERIAL: THERMOPLASTIC, COLOR-BLACK

OBSOLETE	Ø 1.5	135°	B	NATURAL	BROWN	1445816-7
OBSOLETE	Ø 0.75	135°	B	YELLOW	RED	1445816-4
OBSOLETE	Ø 1.5	115°	A	NATURAL	BLACK	1445816-3
OBSOLETE	Ø 1.5	135°	B	NATURAL	RED	1445816-2
	Ø 0.75	115°	A	YELLOW	BLACK	1445816-1
	Ø X REF	K REF	KEYING CODE	WIRE ENTRY SEAL COLOR	HOUSING COLOR	PART NUMBER

THIS DRAWING IS A CONTROLLED DOCUMENT.

OWN: SHANE WUEST 12OCT2001
 CHK: G DOUTY 12OCT2001
 APVD: H. WAKEEM 13JUN2003

NAME: ASSEMBLY, RECEPTACLE, SIZE 11, 9 POSITION, PANEL MOUNT, SEALED, MINI CPC

SIZE: A1 CAGE CODE: 100779 DRAWING NO: 1445816

SCALE: 3:1 SHEET 1 OF 1 REV E

TE Connectivity