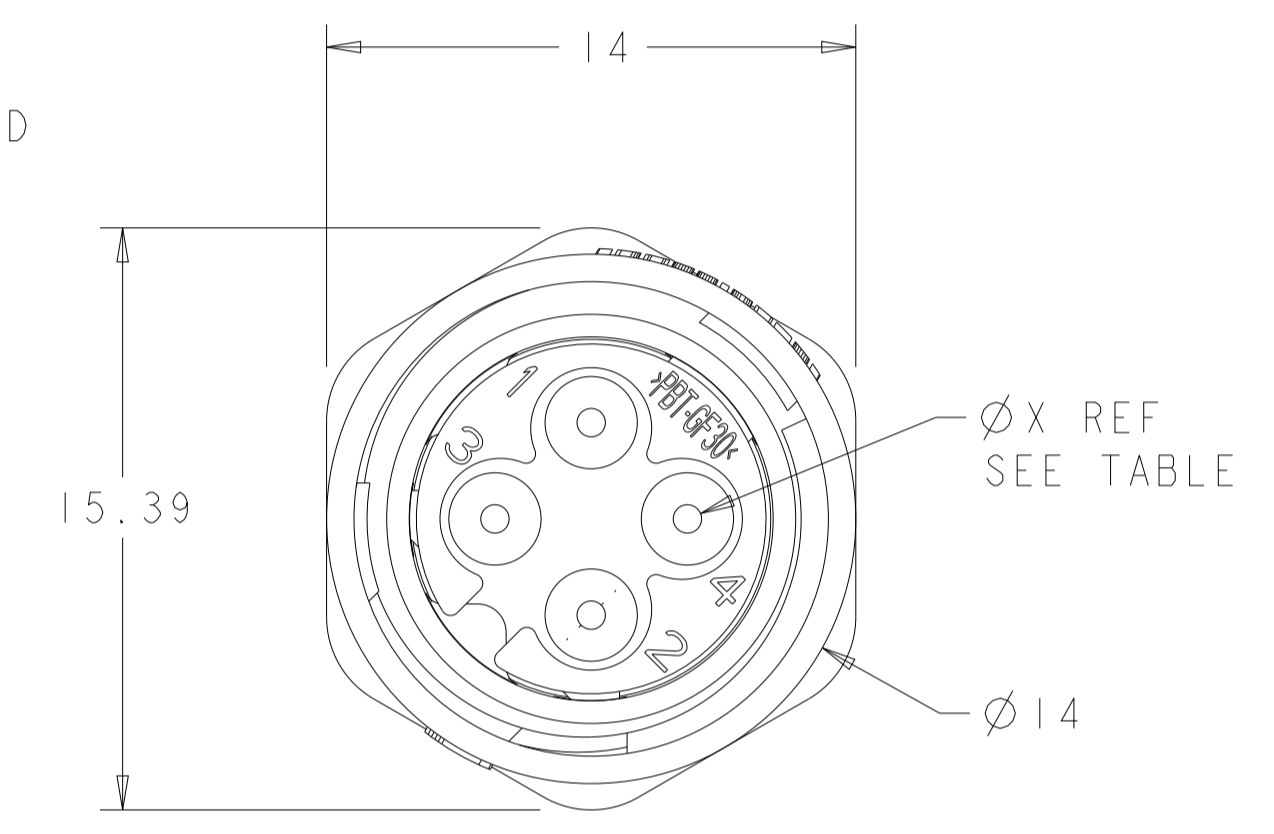
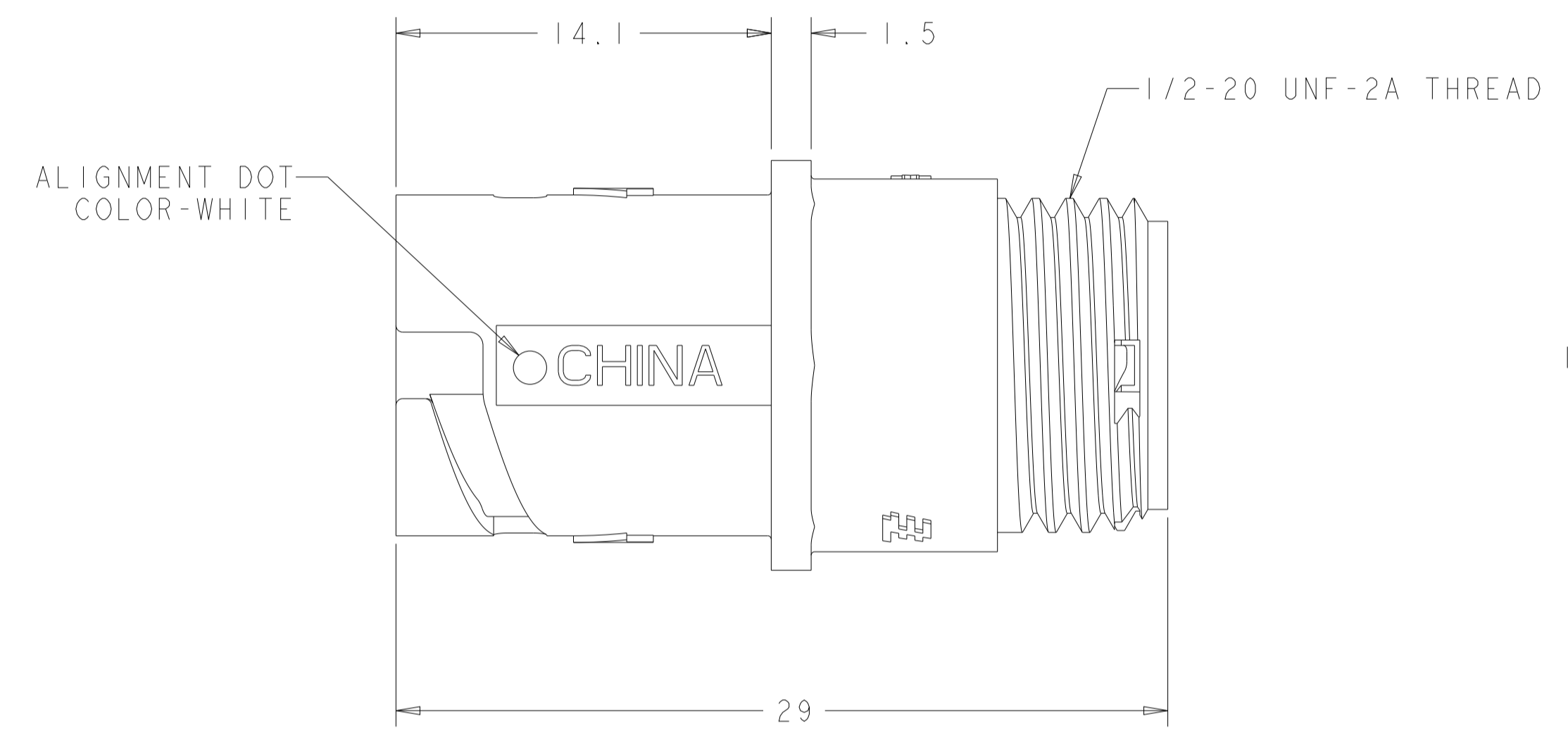
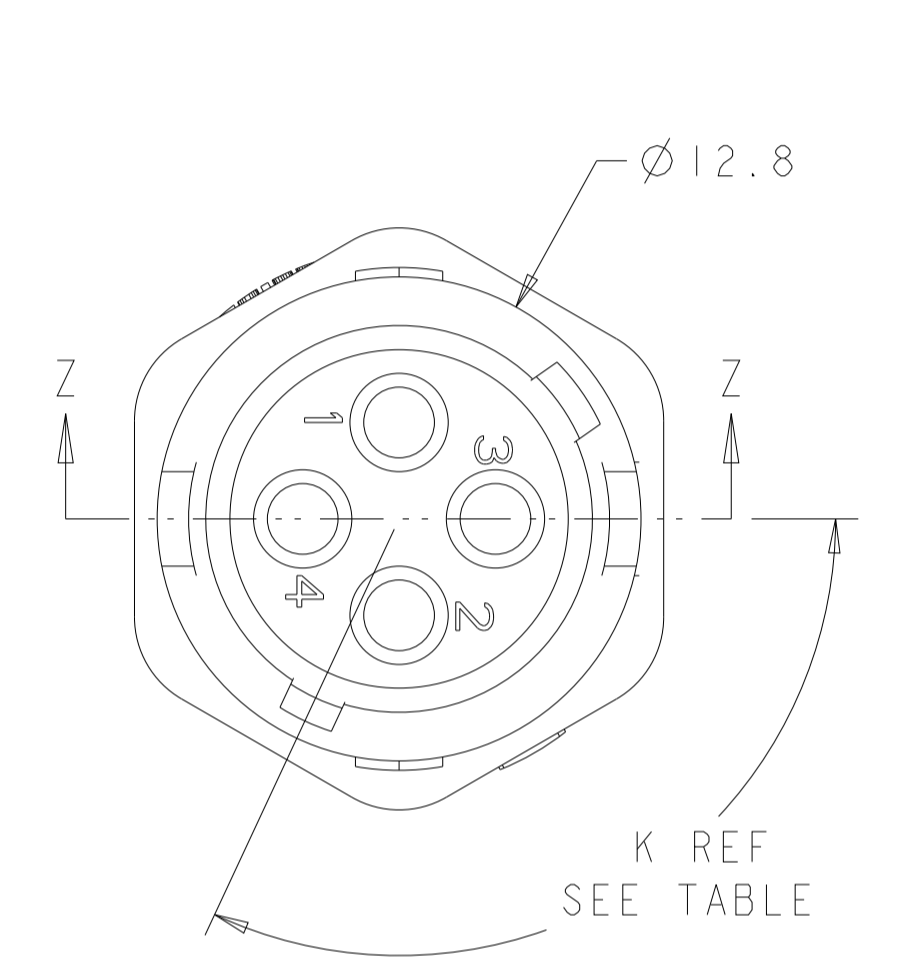
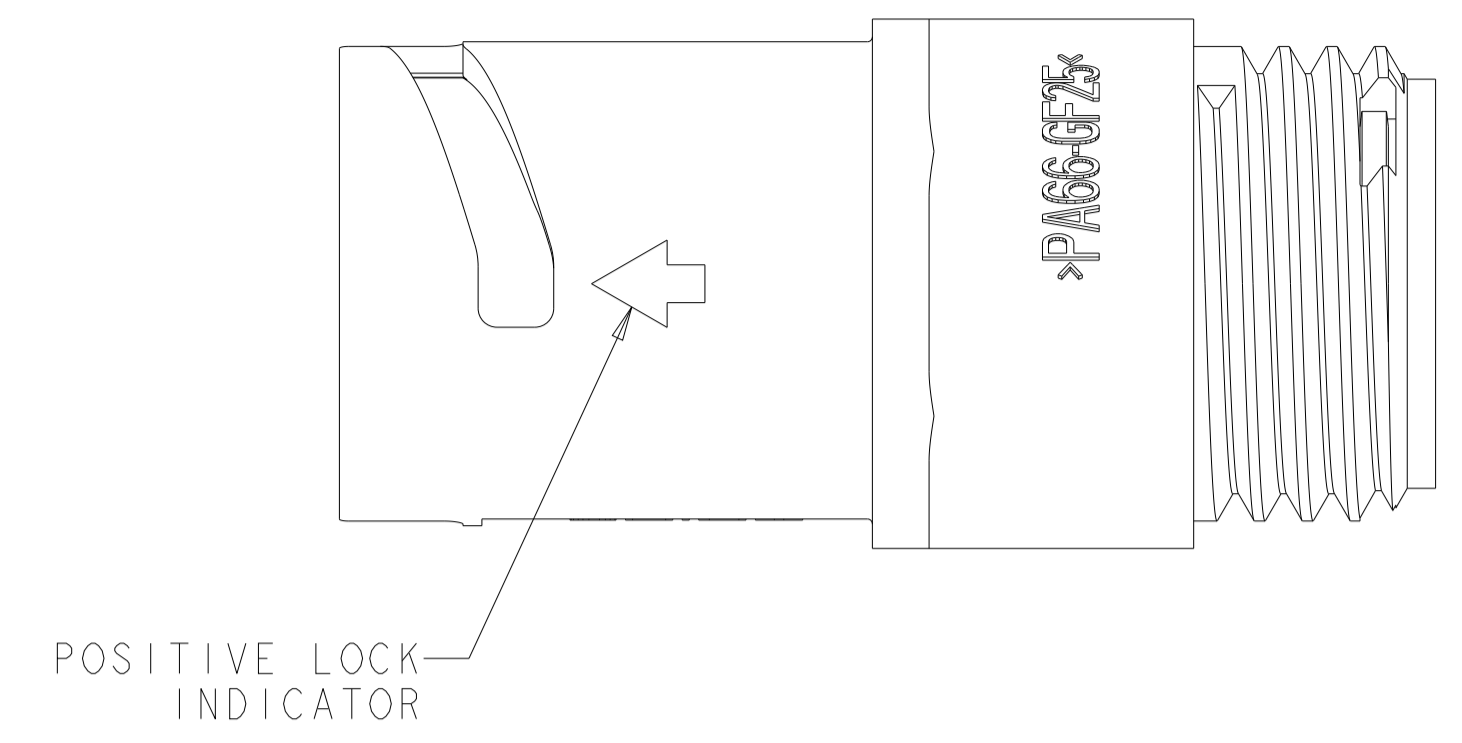
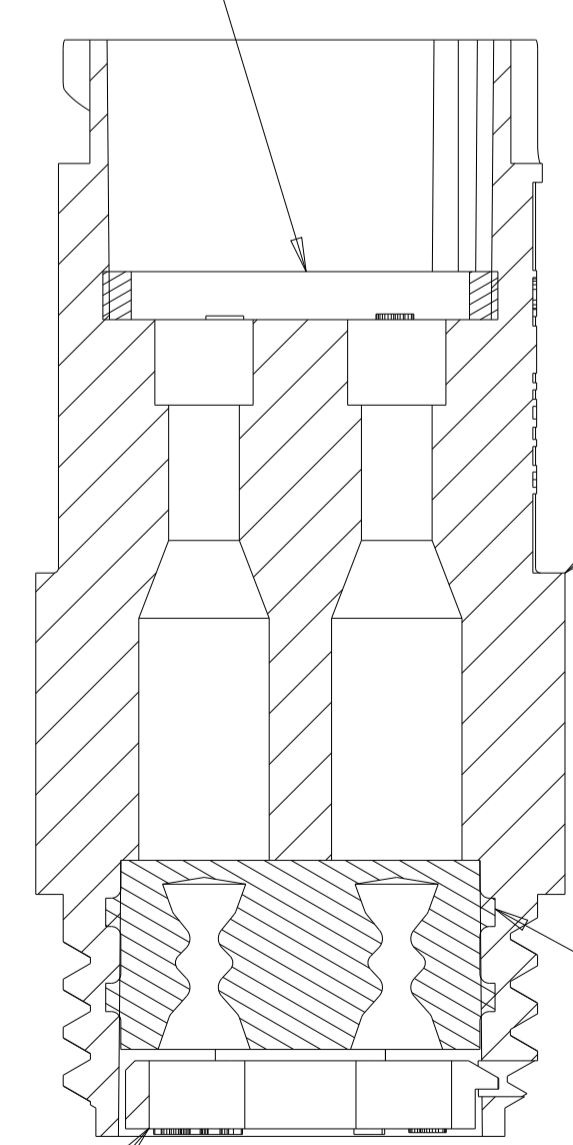


REVISIONS				
P	LTN	DESCRIPTION	DATE	OWN APVD
	D	REVISED PER ECN-22-136865	01FEB2022	RK MZ



SEAL, PERIPHERAL, 1 REQD
 MATERIAL: ELASTOMER, COLOR-BLACK



HOUSING, 1 REQD
 MATERIAL: THERMOPLASTIC, COLOR-BLACK

SEAL, WIRE ENTRY, 1 REQD
 MATERIAL: ELASTOMER, COLOR-SEE TABLE

RETAINER, SEAL, 1 REQD
 MATERIAL: THERMOPLASTIC, COLOR-BLACK

OBsolete	YELLOW	Ø 0.75	130°	1445389-04
	NATURAL	Ø 1.5	115°	1445389-03
OBsolete	NATURAL	Ø 1.5	130°	1445389-02
	YELLOW	Ø 0.75	115°	1445389-01
	SEAL WIRE ENTRY COLOR	Ø X REF	K REF	PART NUMBER

THIS DRAWING IS A CONTROLLED DOCUMENT.

DIMENSIONS:	TOLERANCES UNLESS OTHERWISE SPECIFIED:	OWN: G. DOUTY 01MAR2001	CHK: H. WAKEEM 12JUN2003	APVD: H. WAKEEM 12JUN2003	NAME: ASSEMBLY, RECEPTACLE, SIZE 8, 4 POSITION, FREE HANGING, SEALED, MINI CPC
mm	0 PLC ± 1 PLC ± 2 PLC ± 3 PLC ±0.13 4 PLC ± ANGLES ± FINISH ±				SIZE: A1 CAGE CODE: 1445389 DRAWING NO: 1445389-01 RESTRICTED TO: -
MATERIAL: SEE CALLOUT	SEE CALLOUT	WEIGHT: -	CUSTOMER DRAWING	SCALE: 5:1	SHEET 1 OF 1 REV D

TE TE Connectivity