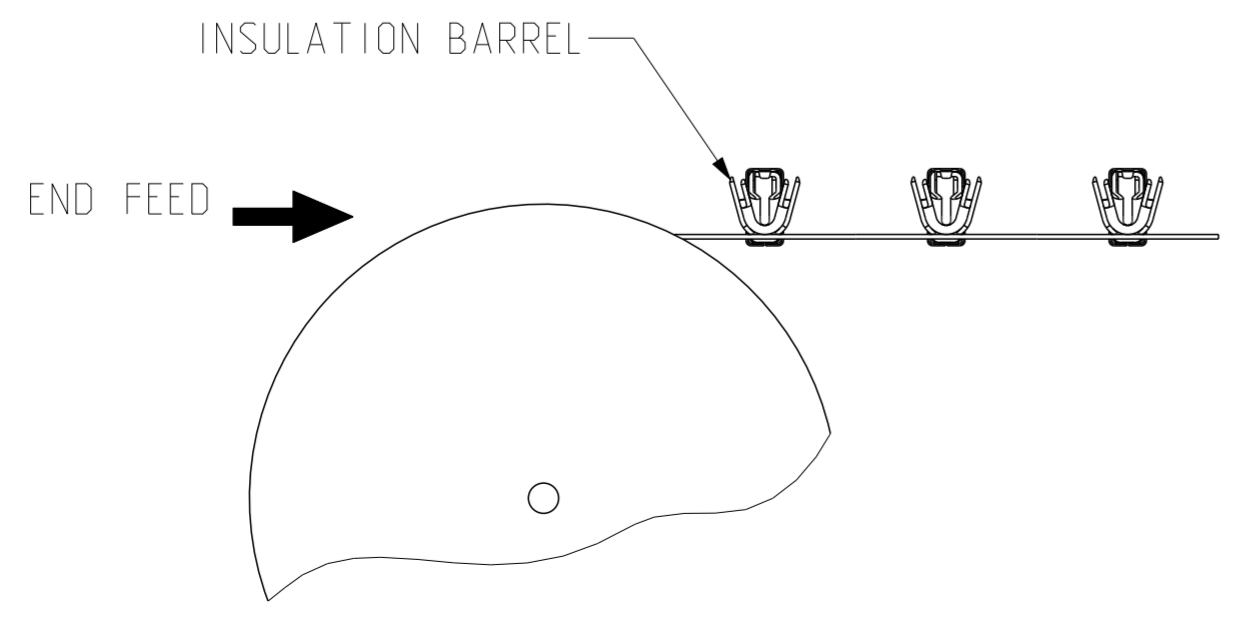
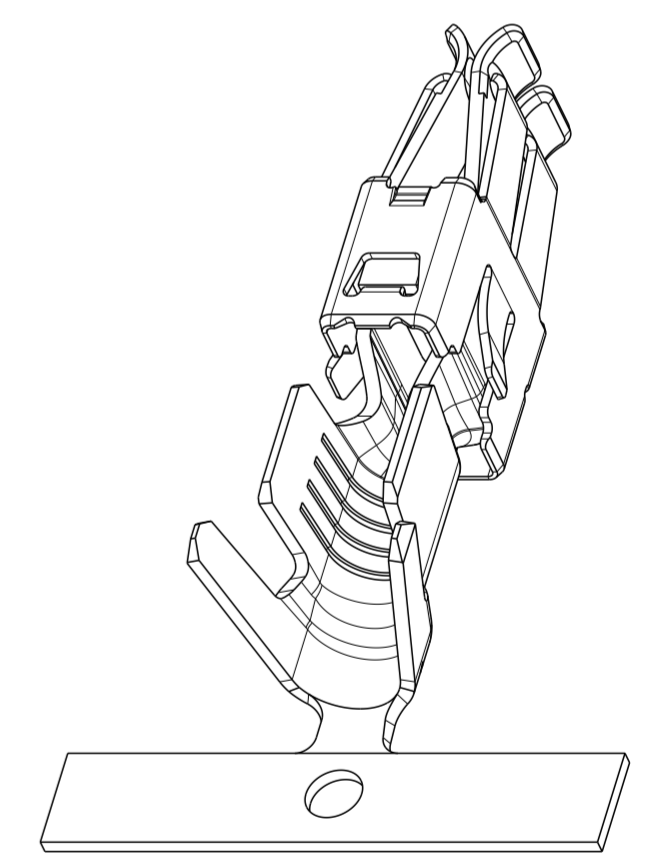
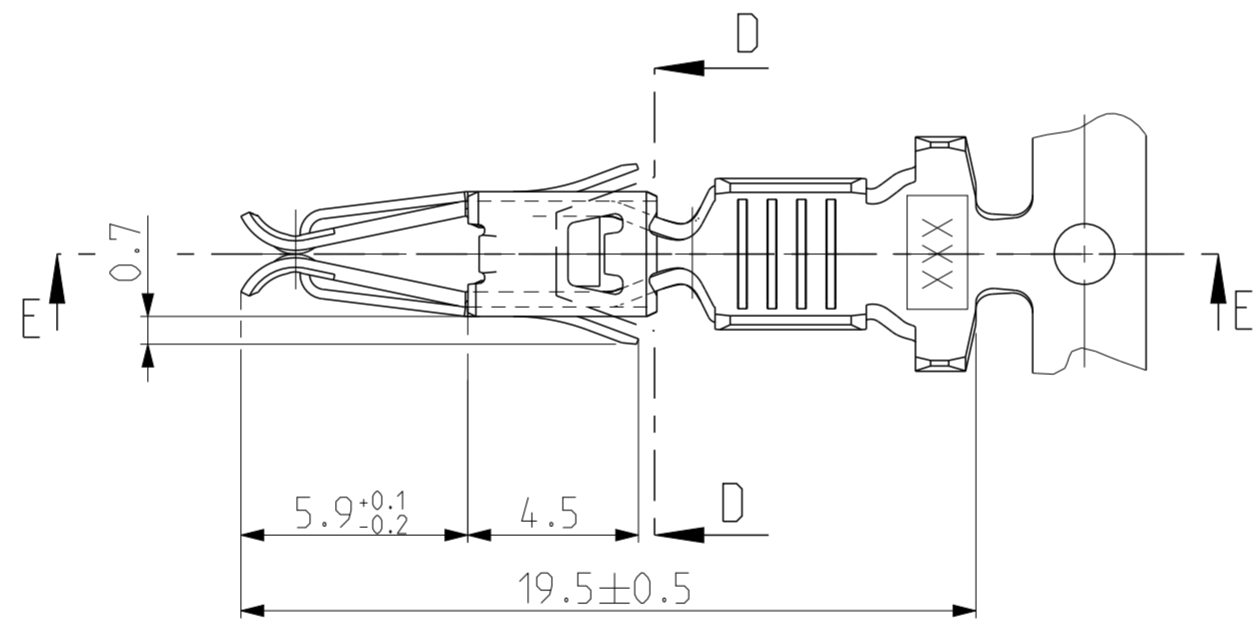
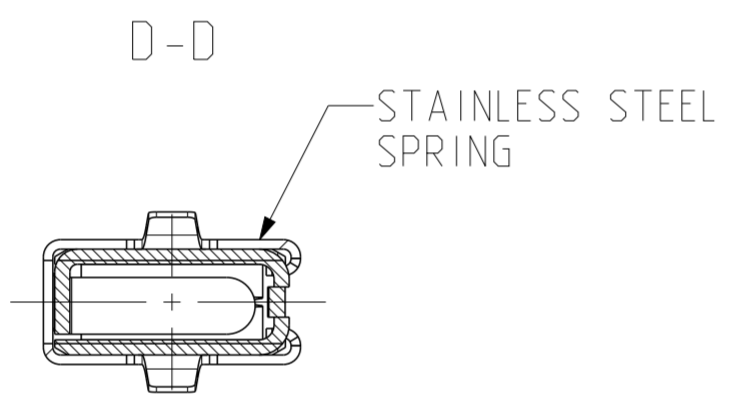
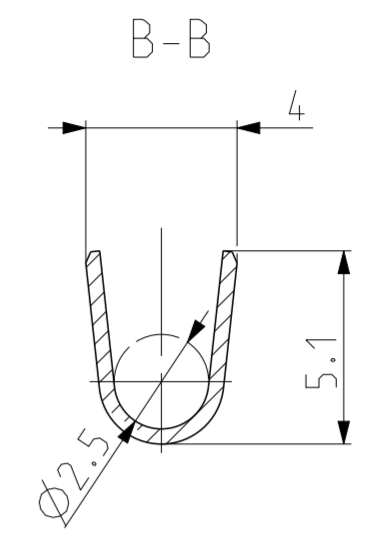
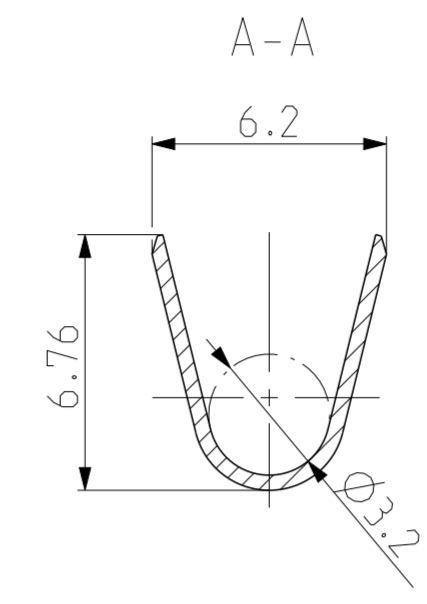
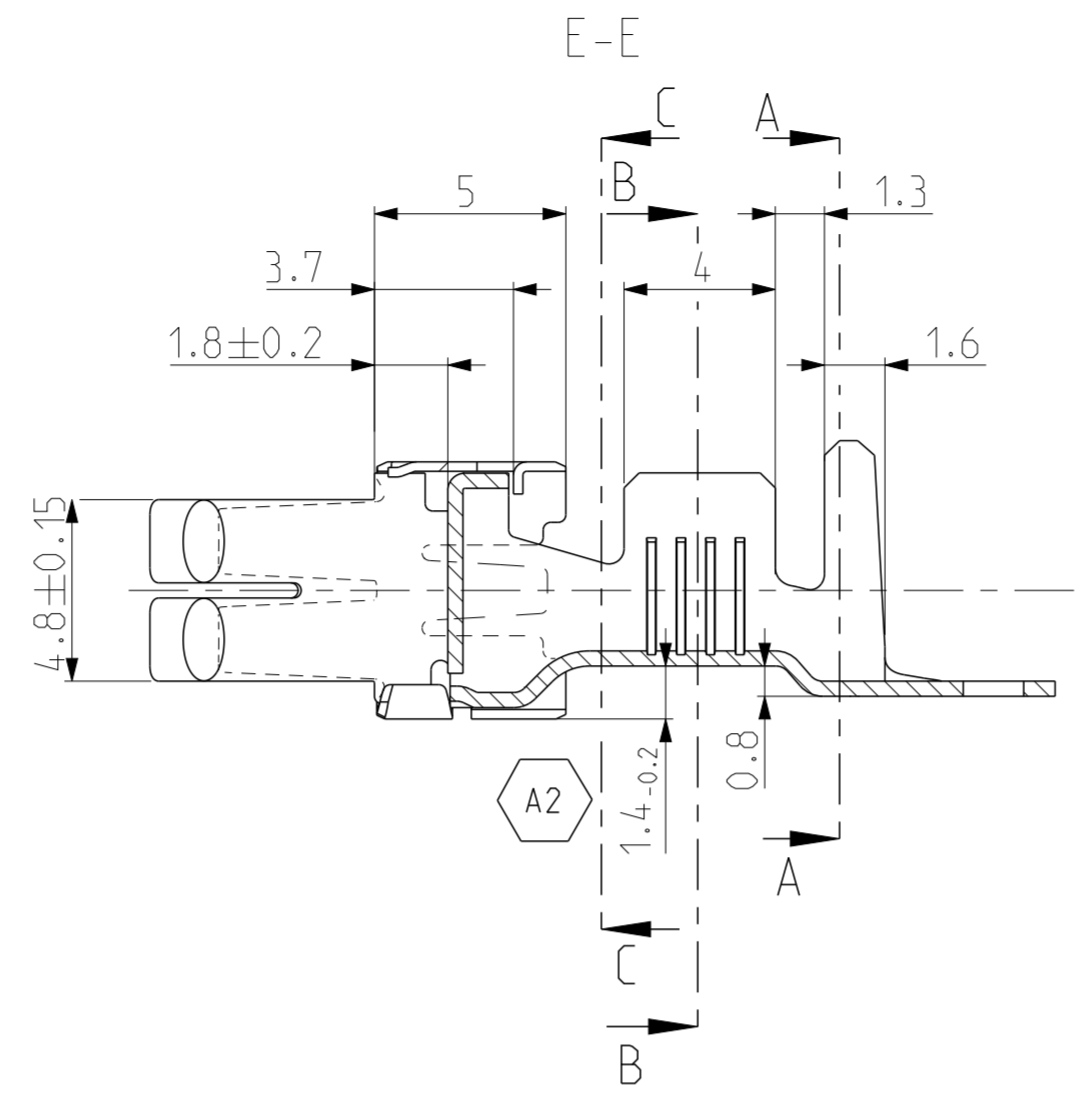
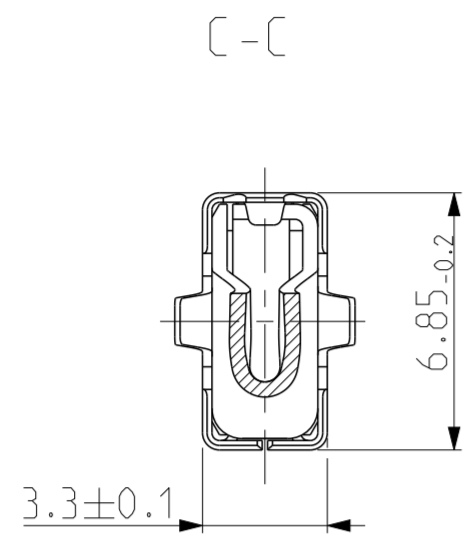


THIS DRAWING IS UNPUBLISHED. RELEASED FOR PUBLICATION  
 © COPYRIGHT copyright\_date BY - ALL RIGHTS RESERVED.

REVISIONS					
P	LTR	DESCRIPTION	DATE	DWN	APVD
	A	NEW DRAWING	13AUG2014	MN	JCB
	A1	REDRAWN IN CRED DRAWING	11APR2018	JPN	JCB
	A2	SEE PCN-22-150934	02AUG2022	KMD	SCK



TIN PLATED	CuSn4	144433-1	B
FINISH	MATERIAL	PART NO.	REV.

THIS DRAWING IS A CONTROLLED DOCUMENT.		DWN MADHUSUDHAN N	13AUG2014	TE Connectivity CONTACT STANDARD POWER TIMER	
DIMENSIONS: mm		CHK J. CARRETERO	13AUG2014		
TOLERANCES UNLESS OTHERWISE SPECIFIED:		APVD R. SOLE	13AUG2014		
0-PLC ± 1-PLC ± 2-PLC ±0.2 3-PLC ± 4-PLC ±0.0004 ANGLES ±2° FINISH		PRODUCT SPEC 108-15122	NAME		
MATERIAL SEE TABLE	FINISH SEE TABLE	APPLICATION SPEC 114-15057	WEIGHT 0.9g	SIZE A2	CAGE CODE 00779
		CUSTOMER DRAWING	SCALE 5:1	DRAWING NO. C-144433	RESTRICTED TO
		SHEET 1 OF 1		REV A2	