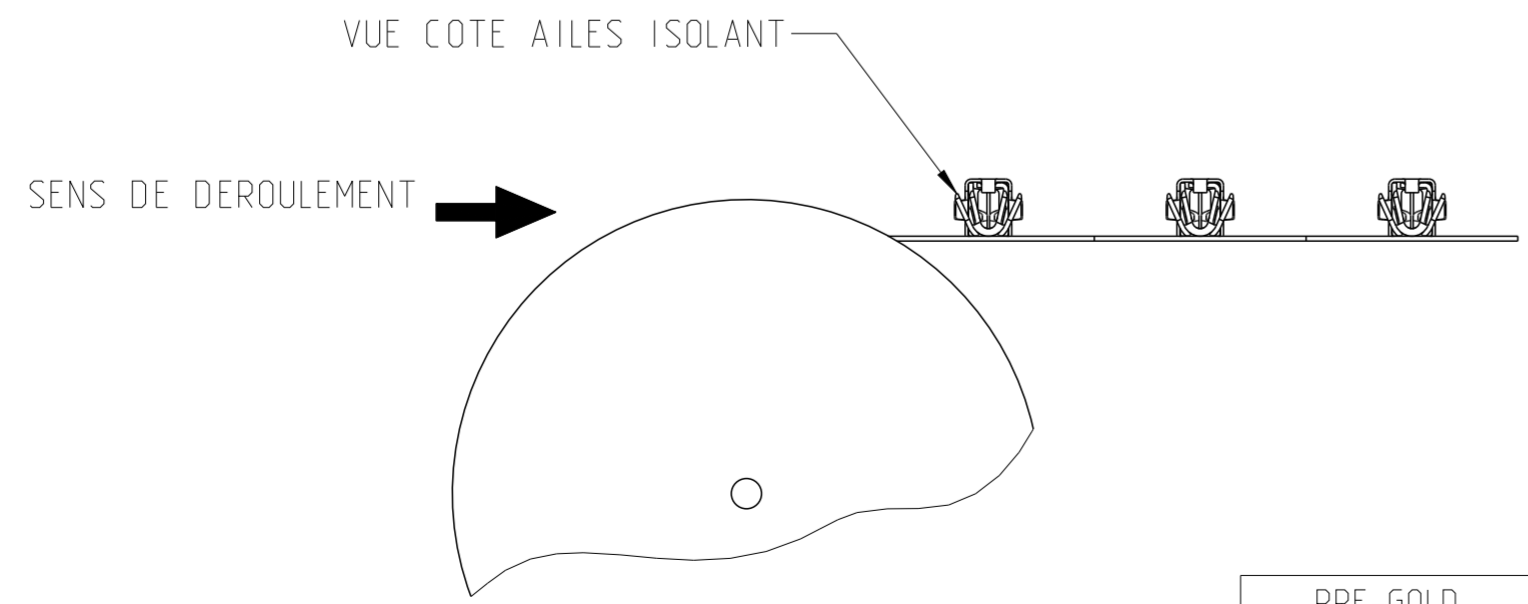
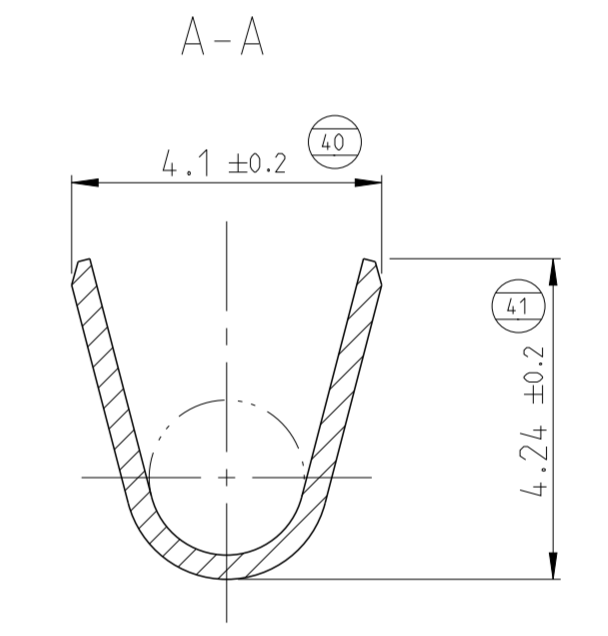
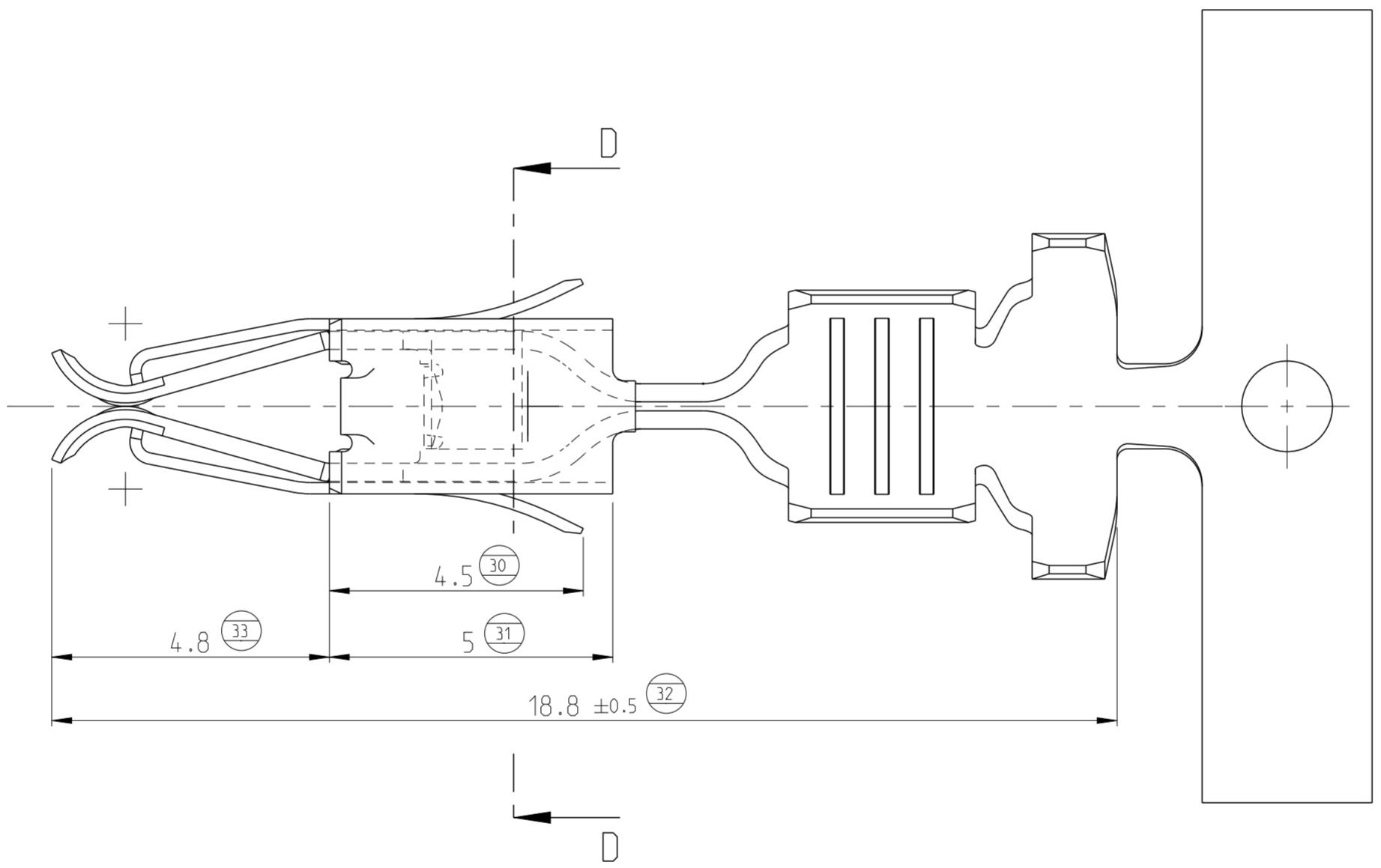
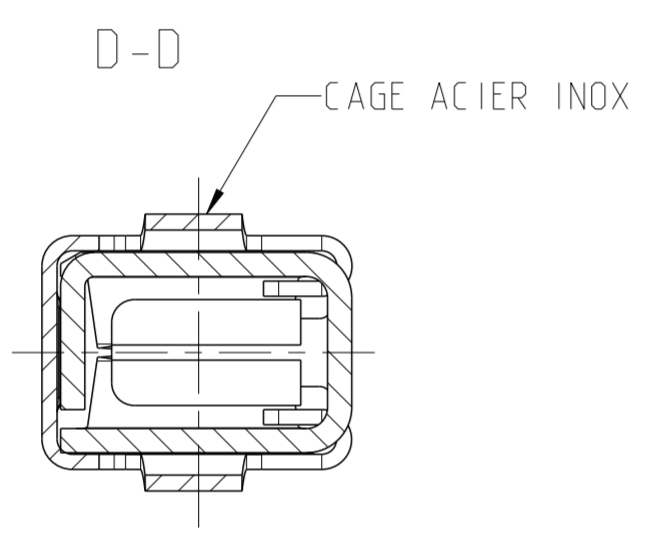
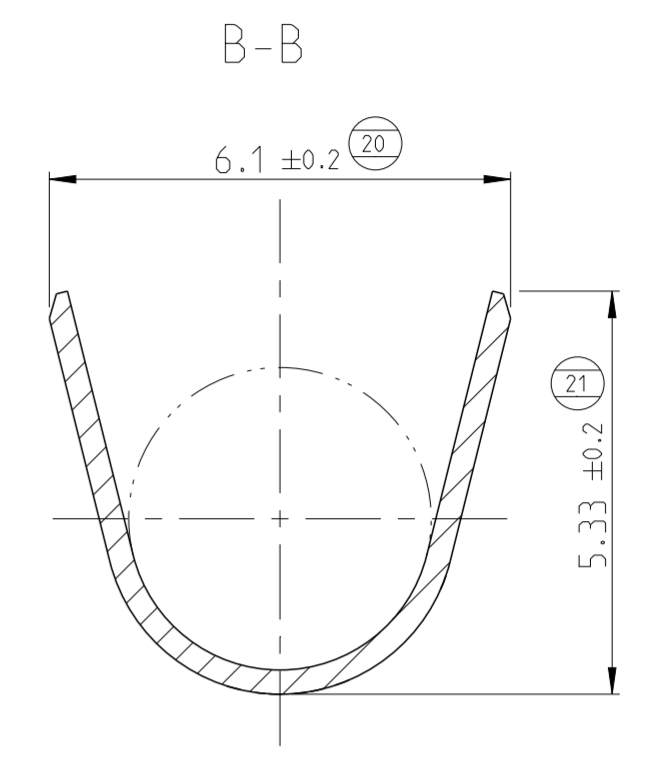
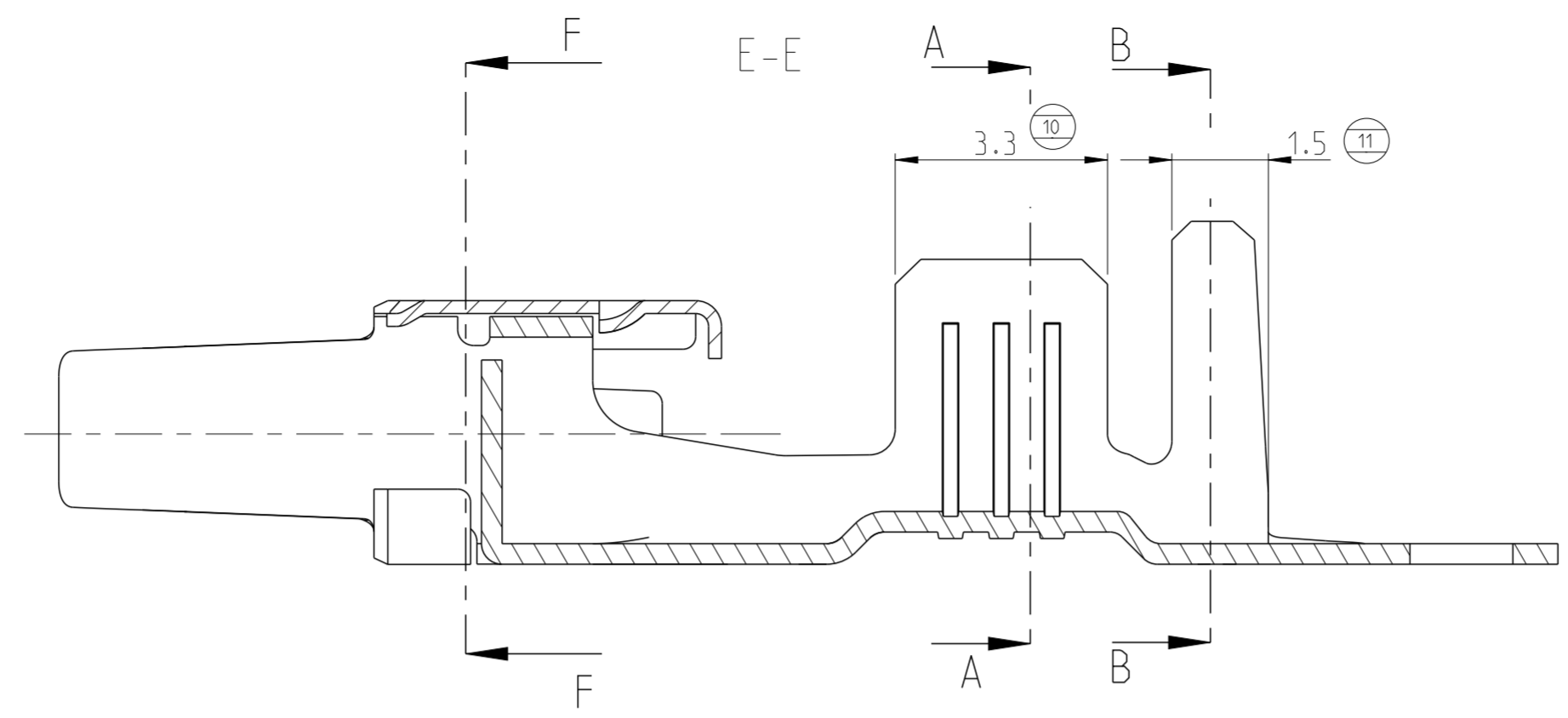
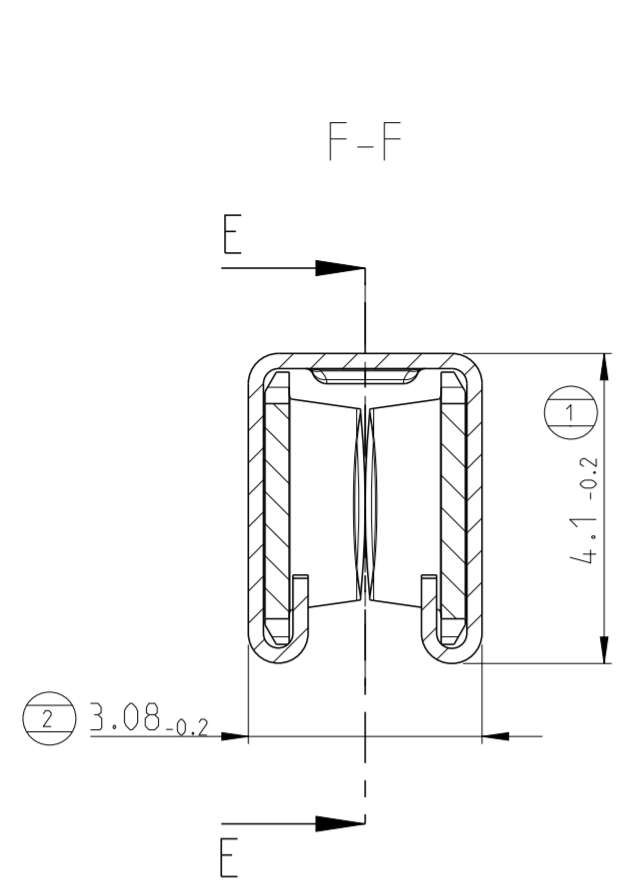


THIS DRAWING IS UNPUBLISHED. RELEASED FOR PUBLICATION 20
 © COPYRIGHT 20 BY - ALL RIGHTS RESERVED.

REVISIONS				
P	LTR	DESCRIPTION	DATE	APVD
A1		REVISED PER ECO-11-005294	13APR2011	RK
A2		REDRAWN IN CREO	30OCT2015	SCK



REFERENCE 144432-1

THIS DRAWING IS A CONTROLLED DOCUMENT.		DWN JJ.DESPRETZ	27AUG1992	STE TE Connectivity	
DIMENSIONS: mm		CHK	-		
TOLERANCES UNLESS OTHERWISE SPECIFIED:		APVD	-	NAME CONTACT JUNIOR POWER TIMER	
0 PLC	±	PRODUCT SPEC		SIZE	
1 PLC	±	108-15121		CAGE CODE	
2 PLC	±	APPLICATION SPEC		DRAWING NO	
3 PLC	±	114-15021		RESTRICTED TO	
4 PLC	±	WEIGHT		A2	
ANGLES	±5°	CUSTOMER DRAWING		SCALE 10:1 SHEET 1 OF 1 REV A2	
FINISH	-	MATERIAL		DRAWING NO	
	-	CuSn4 EP 0.32		C-144432	

PRE-GOLD	CuSn4	144432-3
PRE-TIN	CuSn4	144432-1
FINISH	MATERIAL	PART NUMBER