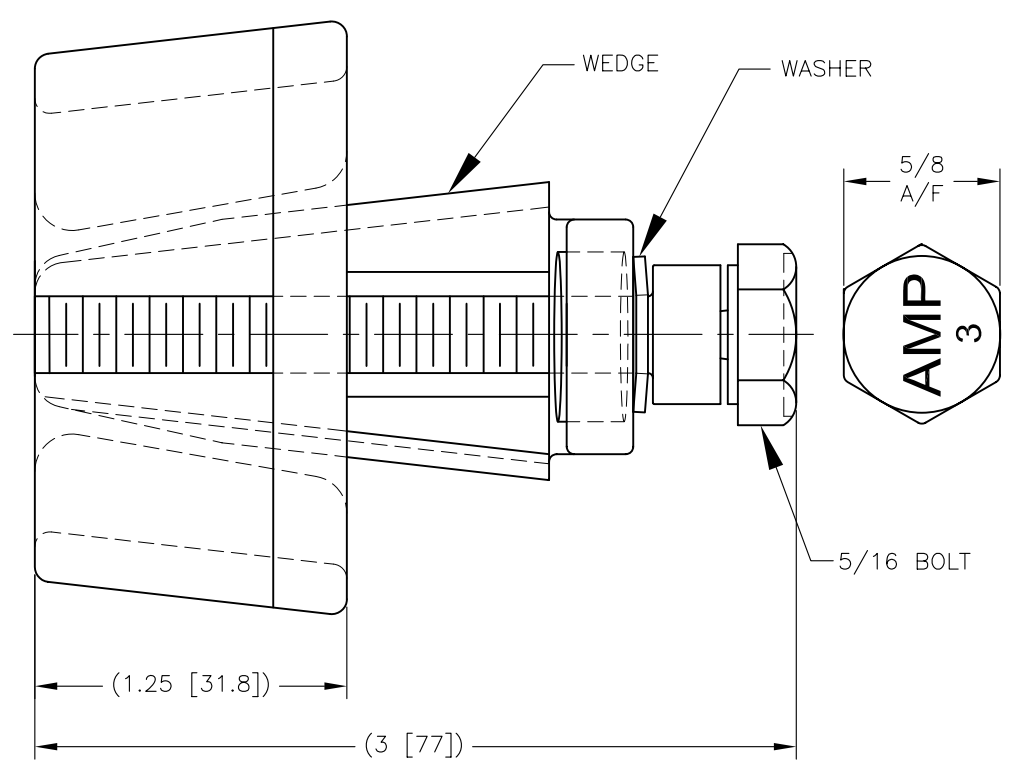
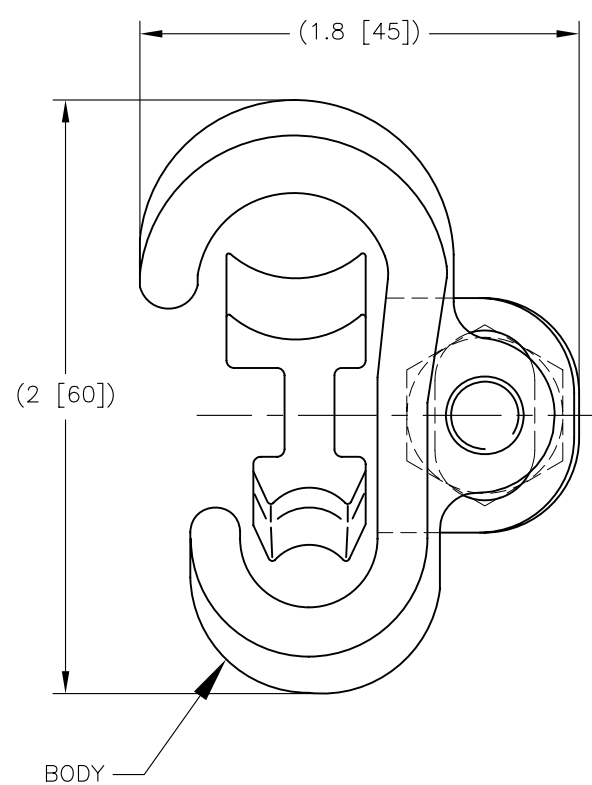


LOC	DIST	REVISIONS			
P	LTR	DESCRIPTION	DATE	DWN	APVD
GA	1	A	INITIAL REL. PER LC20-0054-10	01APR2010	DM BJ



1443267-1
 PART NO.

- 1 MATERIAL:
 BODY & WEDGE - COPPER ALLOY, 80% MIN COPPER CONTENT.
2. ANTI-OXIDATION INHIBITOR APPLIED TO GROOVES OF BODY AND WEDGE.
3. DIMENSIONS ARE FOR REFERENCE ONLY

THIS DRAWING IS A CONTROLLED DOCUMENT.		DWN D. MURUGIAH	01APR2010	Tyco Electronics Tyco Electronics Corporation Markham, ON L3R-1E1													
DIMENSIONS: INCHES [mm]		CHK B. JOHNSON	APVD B. JOHNSON	NAME TAP ASSEMBLY, 5/8 ROD, 2/0 STR COPPER, SHEAR-LOK													
TOLERANCES UNLESS OTHERWISE SPECIFIED:		PRODUCT SPEC -		APPLICATION SPEC -													
<table border="1"> <tr><td>0 PLC</td><td>±</td></tr> <tr><td>1 PLC</td><td>±</td></tr> <tr><td>2 PLC</td><td>±</td></tr> <tr><td>3 PLC</td><td>±</td></tr> <tr><td>4 PLC</td><td>±</td></tr> <tr><td>ANGLES</td><td>±</td></tr> </table>		0 PLC	±	1 PLC	±	2 PLC	±	3 PLC	±	4 PLC	±	ANGLES	±	WEIGHT -		SIZE A3	CAGE CODE 00779
0 PLC	±																
1 PLC	±																
2 PLC	±																
3 PLC	±																
4 PLC	±																
ANGLES	±																
MATERIAL 1		FINISH NONE		DRAWING NO 1443267													
CUSTOMER DRAWING				RESTRICTED TO -	SCALE NTS												
				SHEET 1	OF 1												
				REV A													