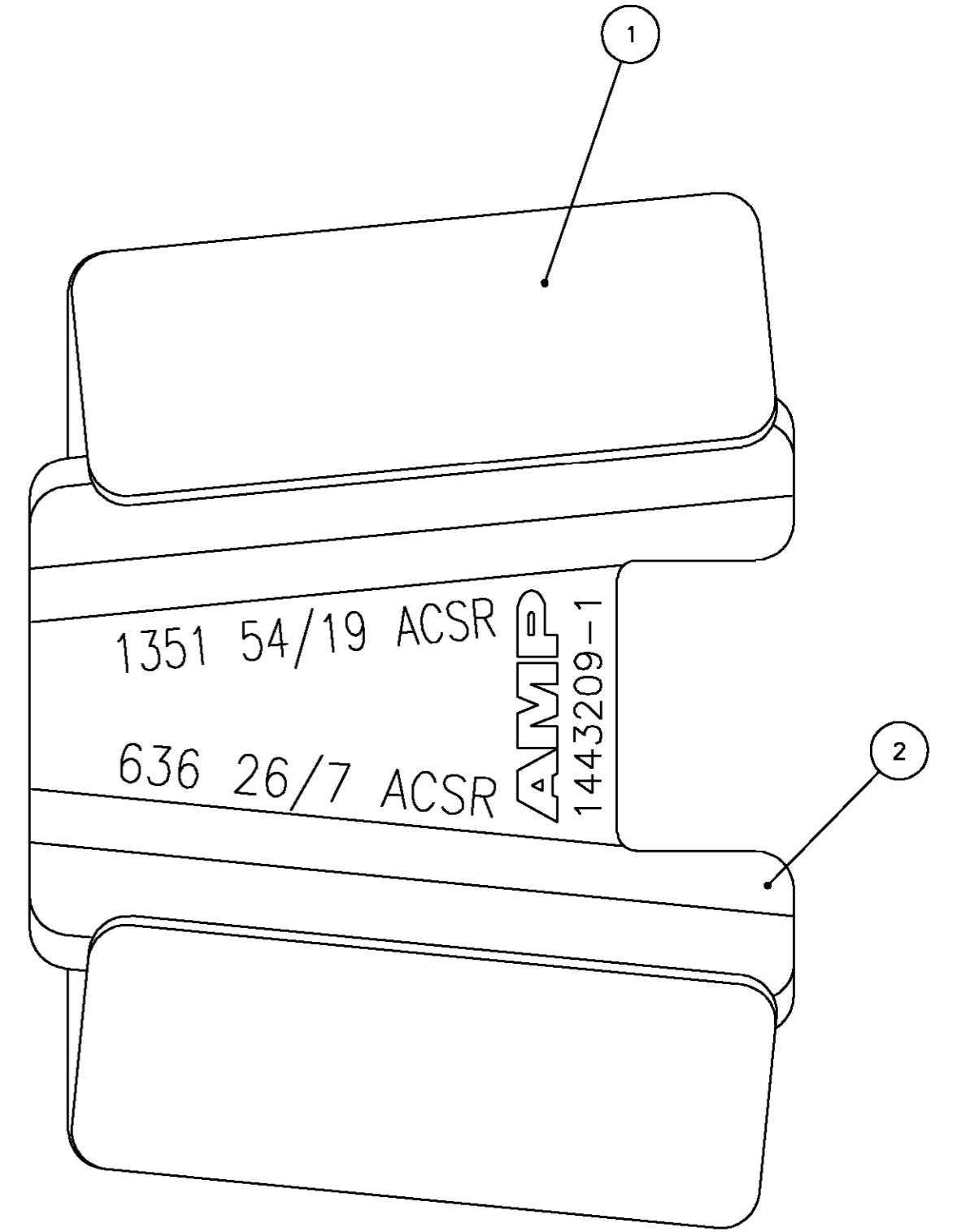
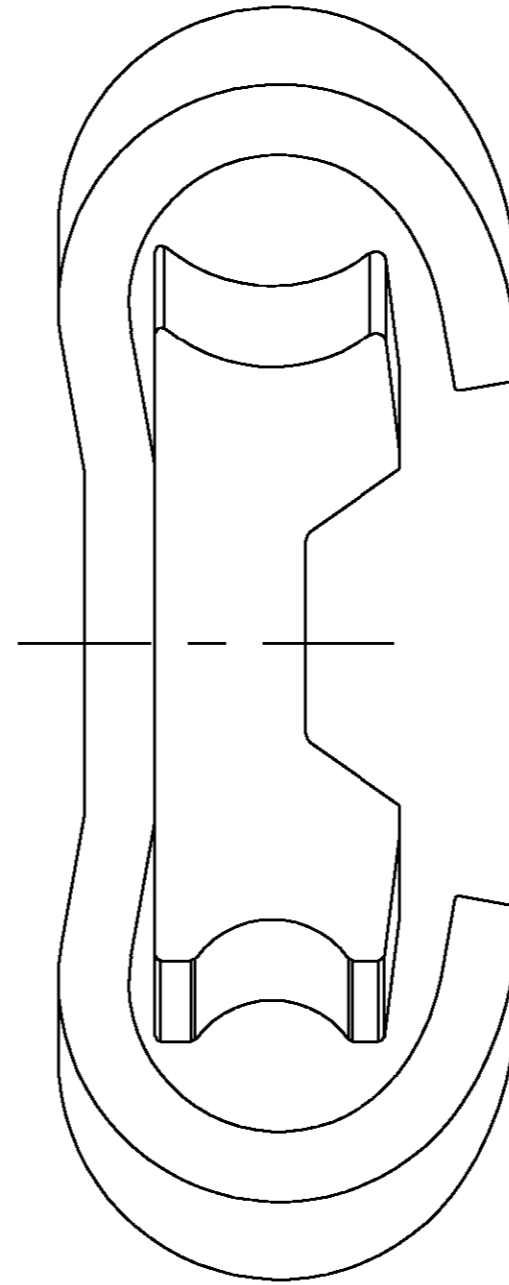
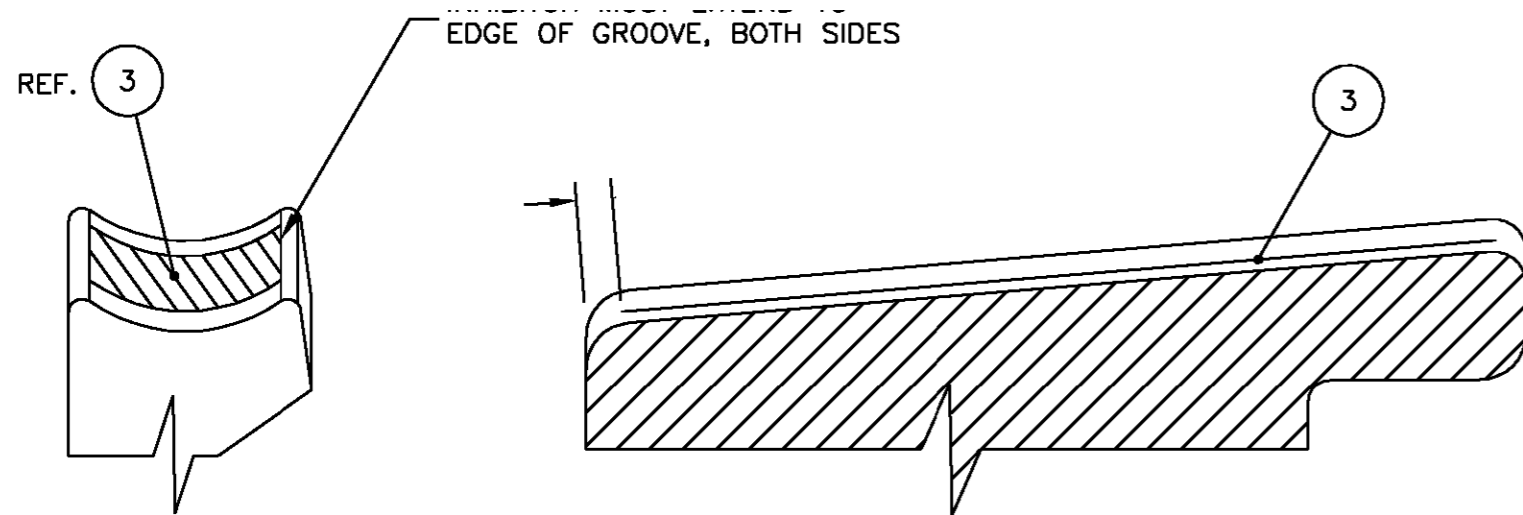
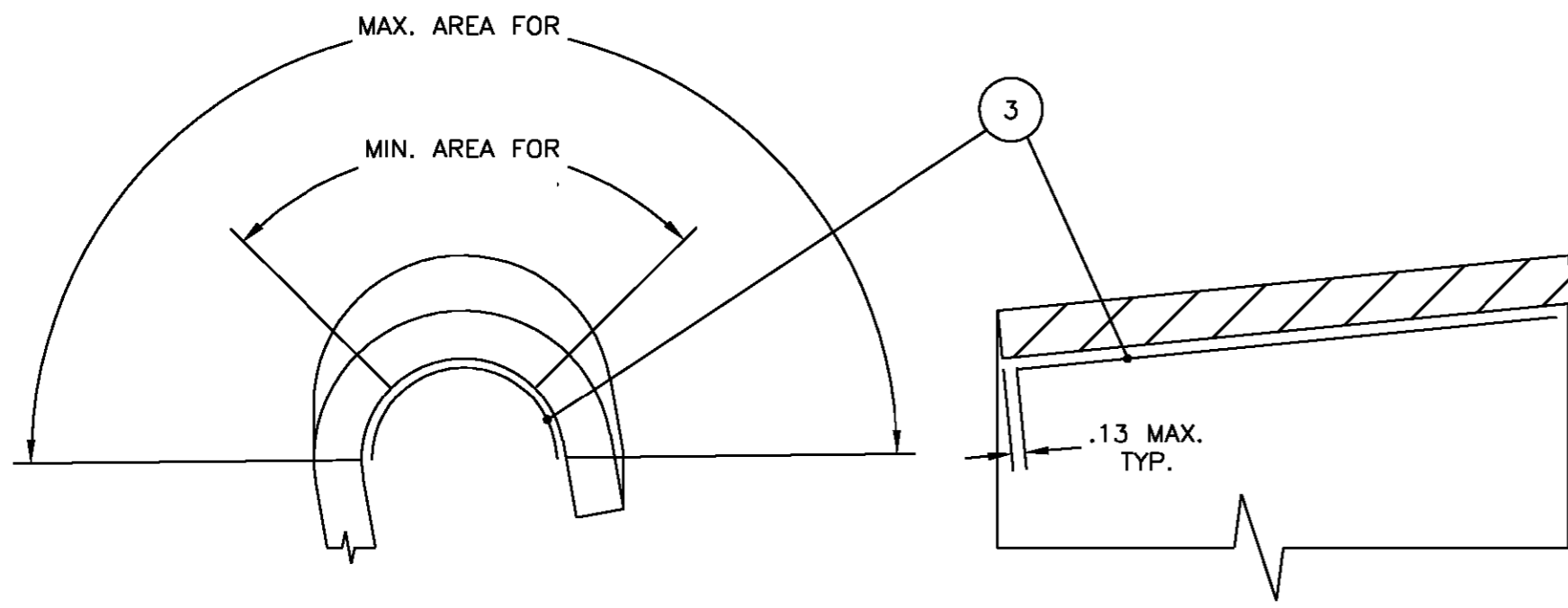


USED ON

DWG NO 1443209

THIS DRAWING IS A CONTROLLED DOCUMENT.



THIS INFORMATION IS CONFIDENTIAL AND PROPRIETARY TO TYCO ELECTRONICS CORPORATION AND ITS WORLDWIDE SUBSIDIARIES AND AFFILIATES. IT MAY NOT BE DISCLOSED TO ANYONE, OTHER THAN TYCO ELECTRONICS PERSONNEL, WITHOUT WRITTEN AUTHORIZATION FROM TYCO ELECTRONICS CORPORATION, HARRISBURG, PENNSYLVANIA USA.

LOC GA
DIST 5

A	REVISED PER LC20-0050-01	24 OCT 01	CD		
P	LTR	REVISION RECORD	DATE	DWN	APVD

DIMENSIONS:		TOLERANCES UNLESS OTHERWISE SPECIFIED:	
INCHES		0 PLC ±	
		1 PLC ±	
		2 PLC ± .03	
		3 PLC ± .005	
		4 PLC ± .0005	
ANGLES ± 0° 30'			
SURFACE TEXTURE			

A/R	A	80665-1	INHIBITOR	3
1	A2	1443206-1	WEDGE	2
1	A2	276914	'C' BODY	1
-1	DWG SIZE	PART NO	DESCRIPTION	ITEM NO
-	REVISION OF EACH ASSY NO (WHEN BLANK, USE DWG REVISION)			

QTY REQD PER ASSY		PARTS LIST		
DWN	29 MAR 01	MATERIAL	HEAT TREAT	
CHK	03 APR 01			
D LADIN	03 APR 01			
APVD	03 APR 01			
B JOHNSON	TE Connectivity			
NAME	CONNECTOR, 1351 KCMIL TO 636 KCMIL YELLOW CODED, AMPACT			
SCALE	SIZE	DRAWING NO	SHEET	REV
NTS	A2	1443209	1 OF 1	A

AMP 3307-7 REV 31MAR2000

8

7

6

5

4

3

2

1