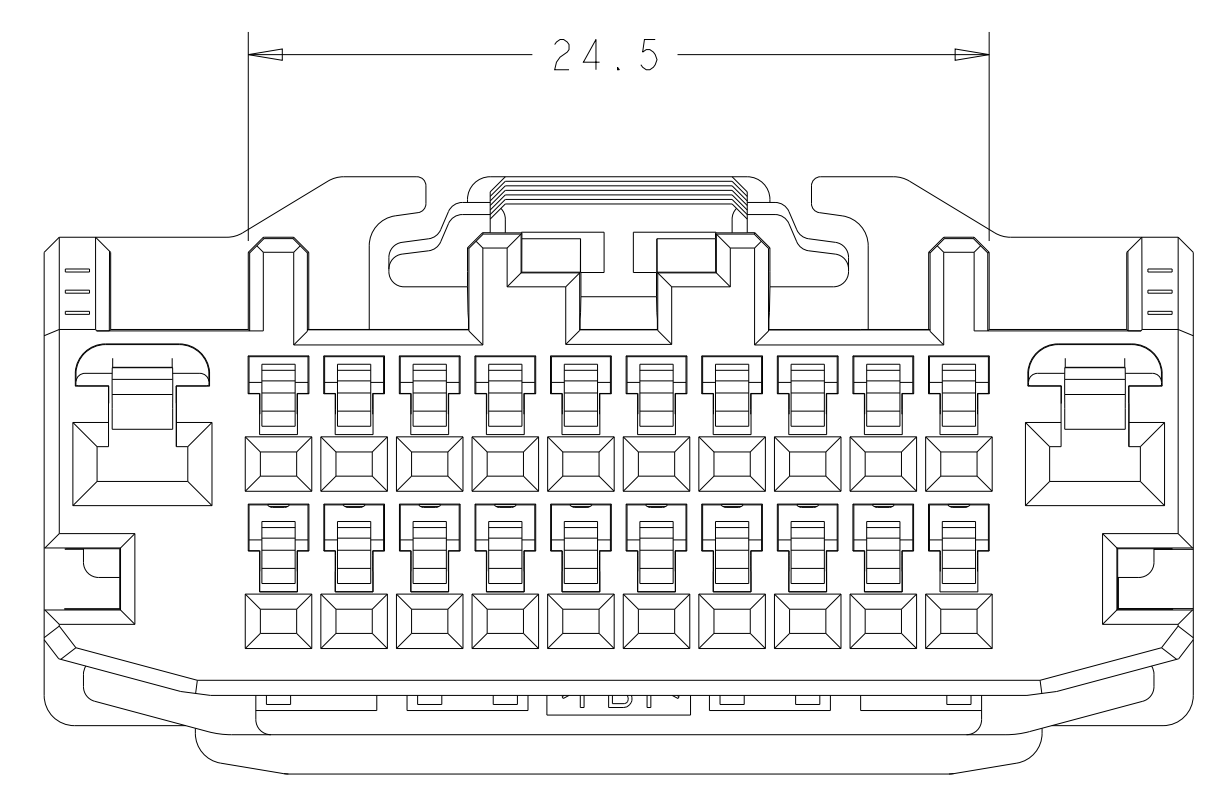
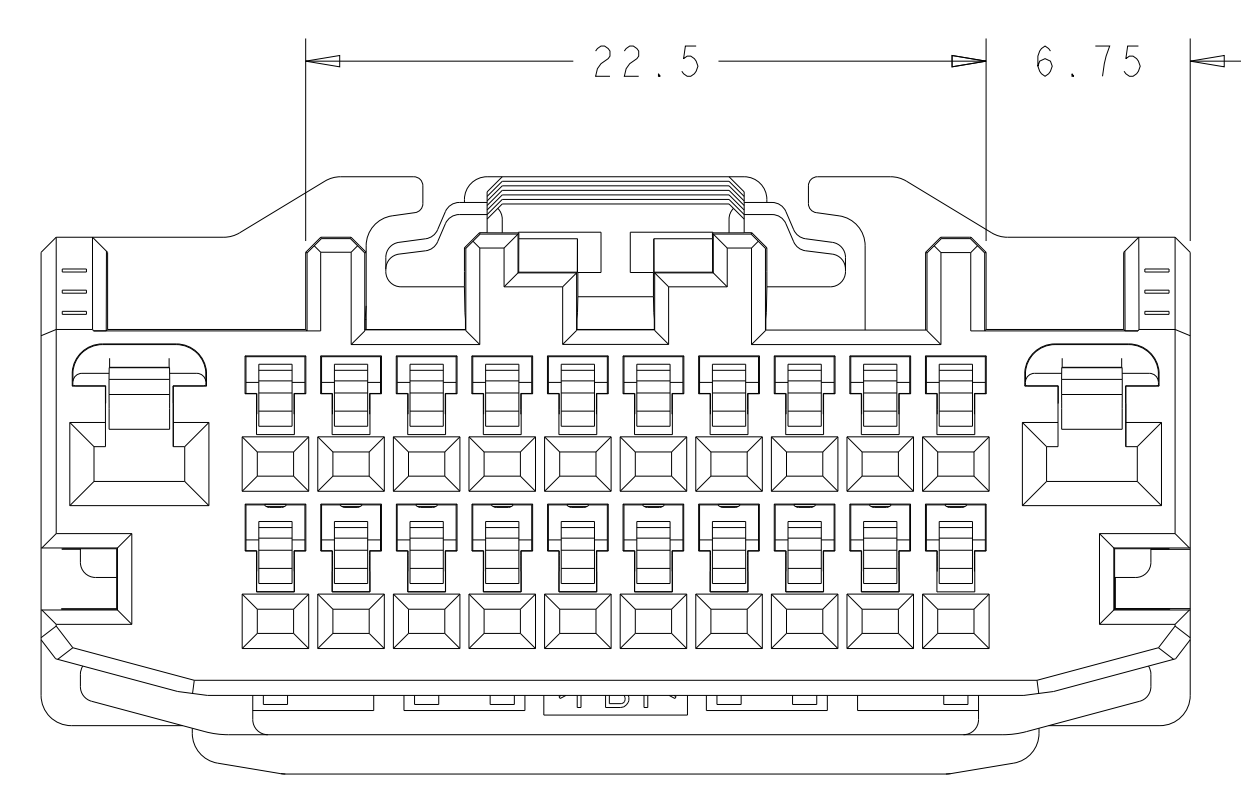


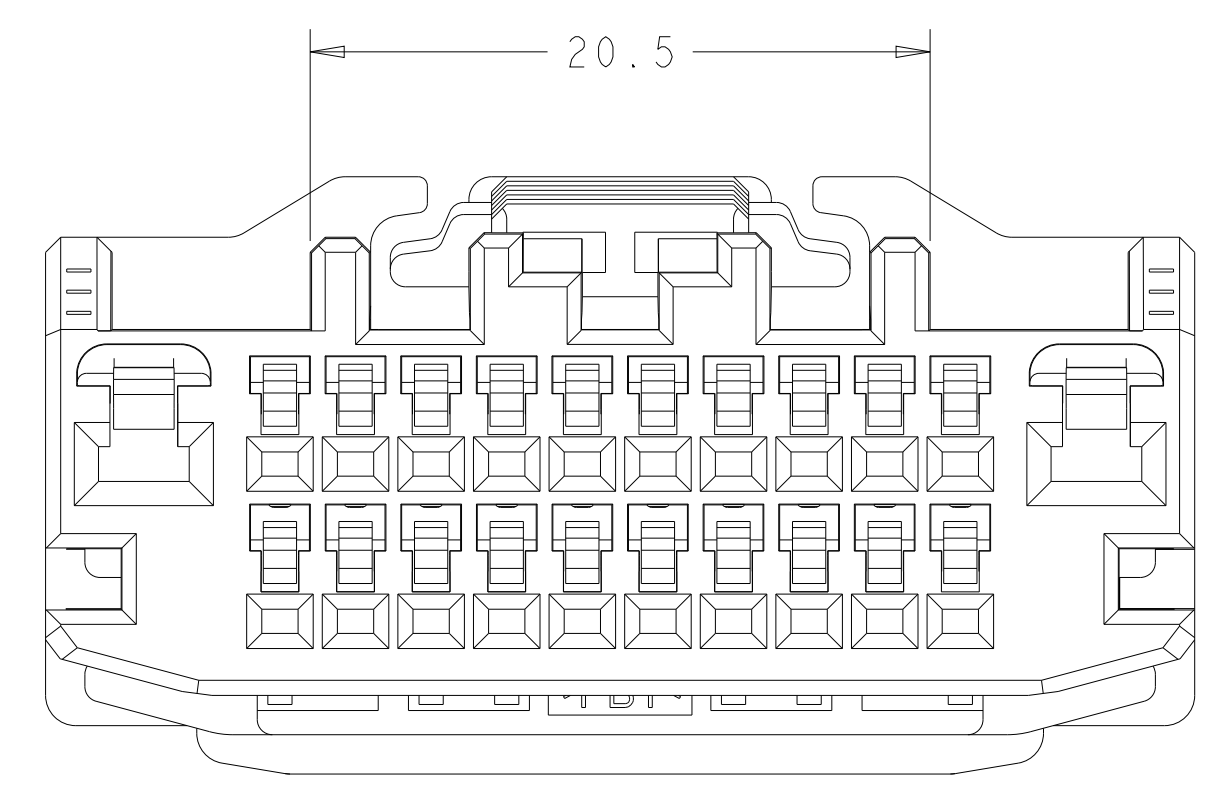
REVISIONS				
P	LTN	DESCRIPTION	DATE	APVD
E		REVISED PER ECO-14-001745	24JAN2014	DD SA
E1		REVISED PER ECN-22-137482, ECN-22-138779	03FEB2022	MC DW
E2		REV PER ECN-23-197404	08FEB2023	CKM DW
E3		REV PER ECN-23-226239	31AUG2023	SMR DW



1438759-1  
KEY "B"  
WHITE

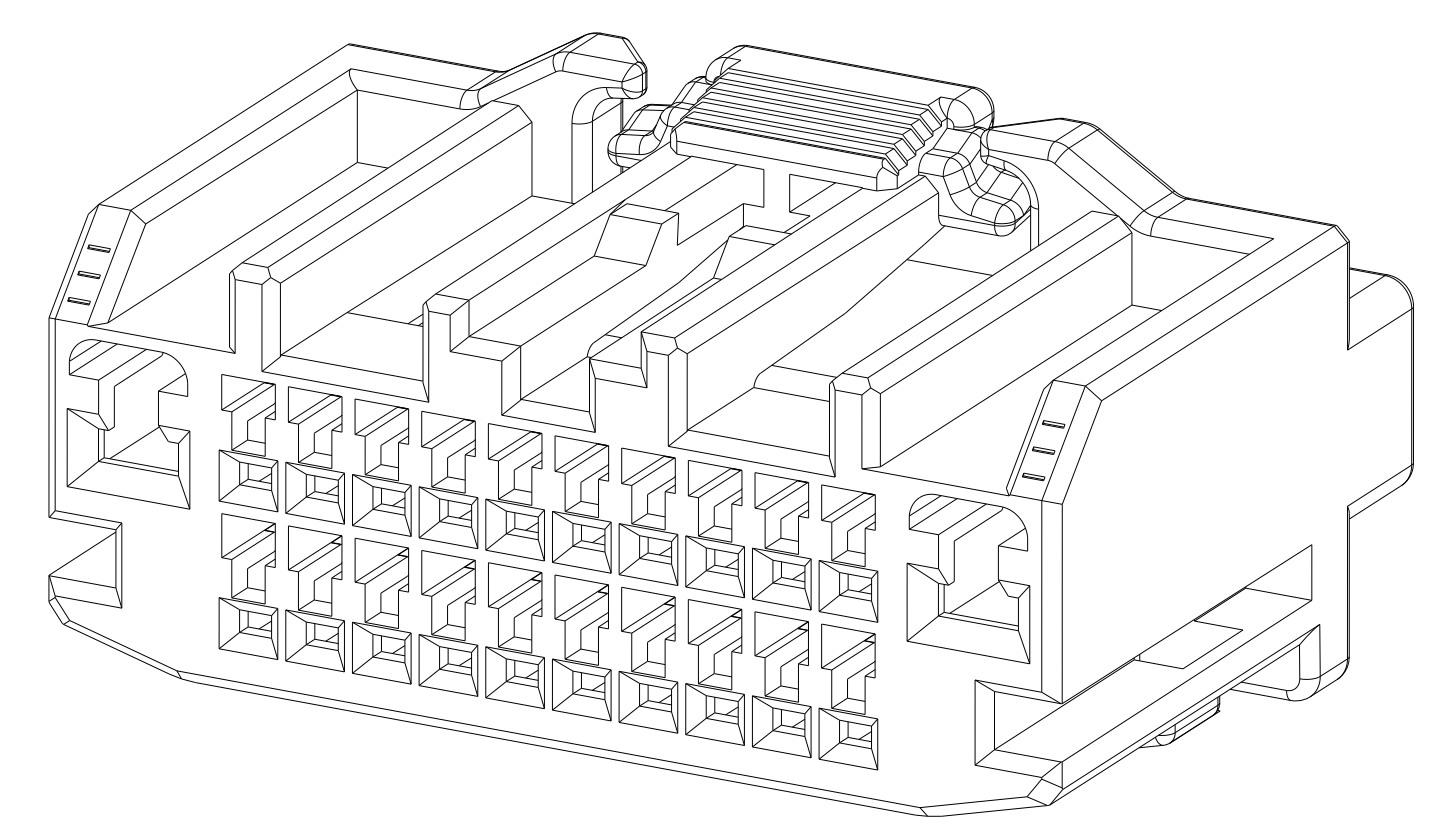
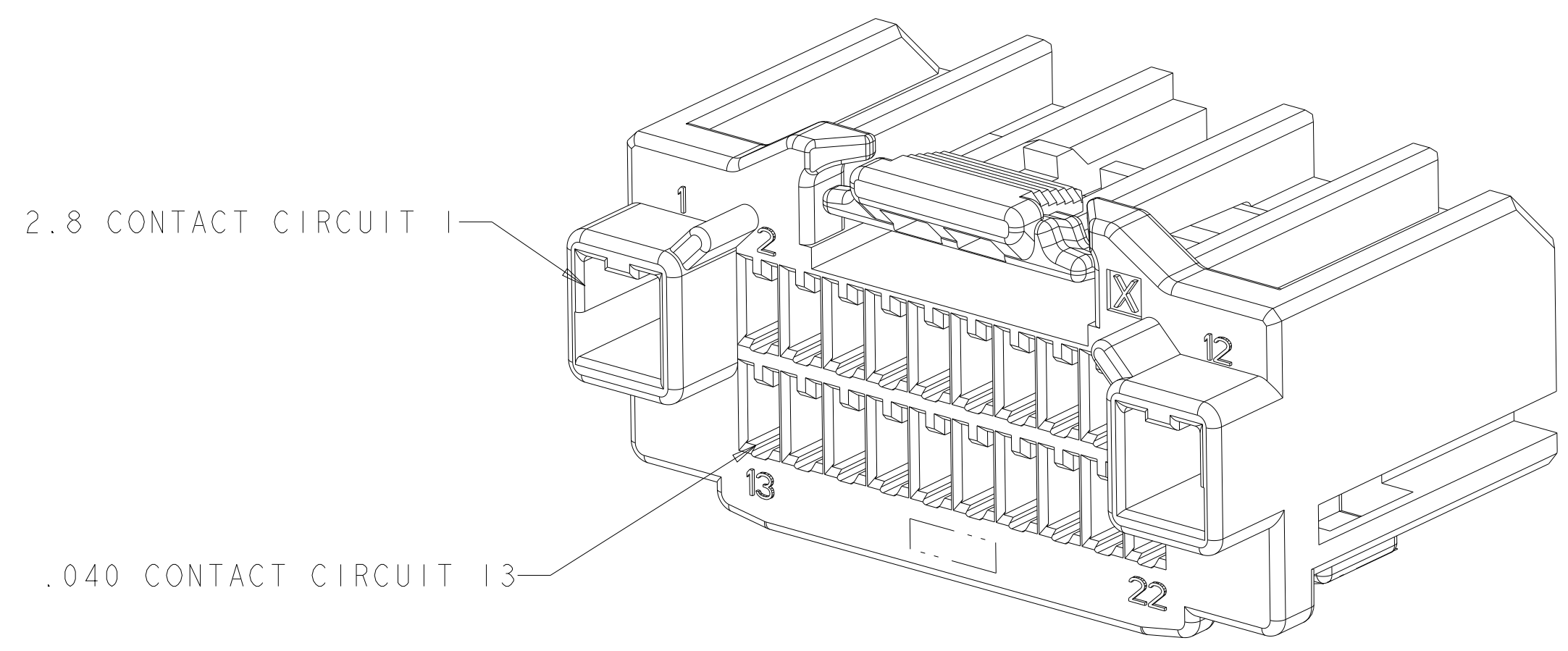
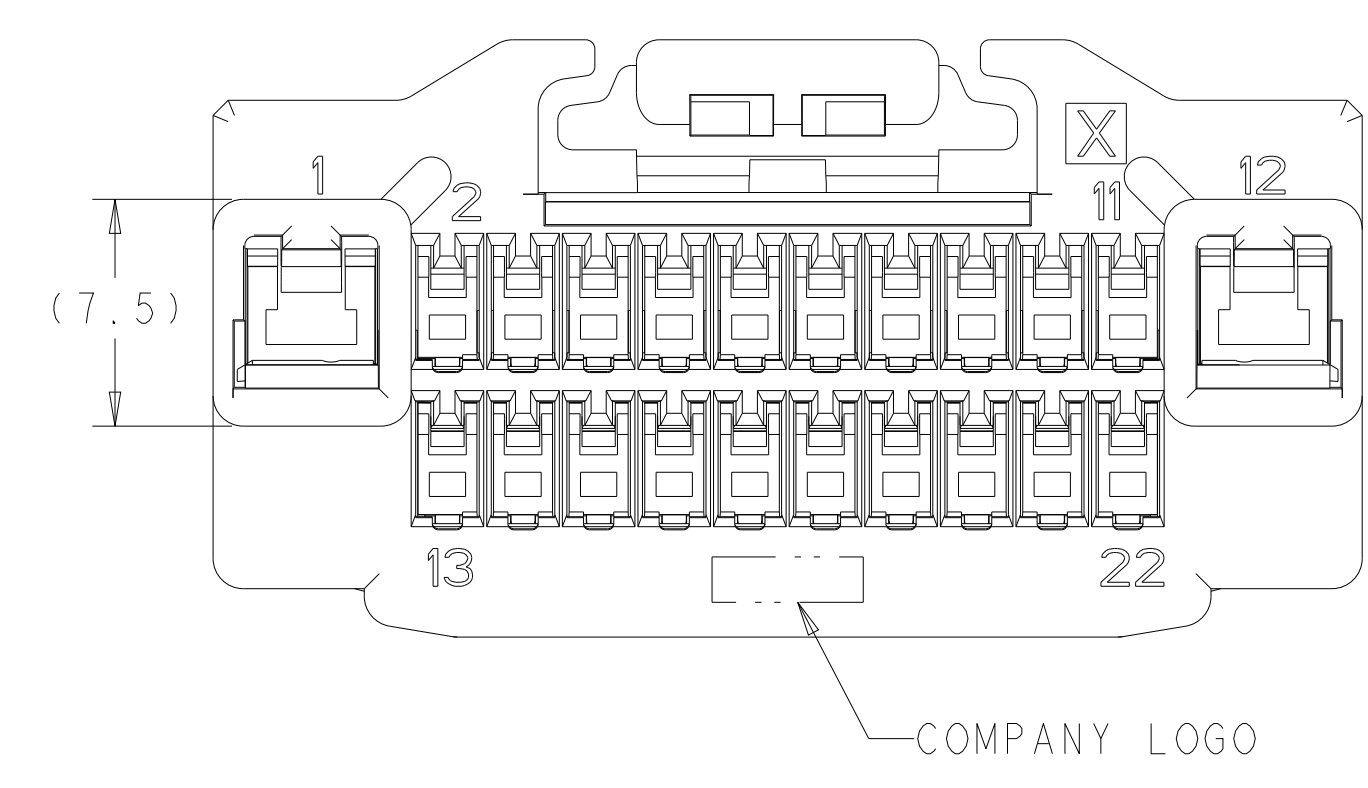
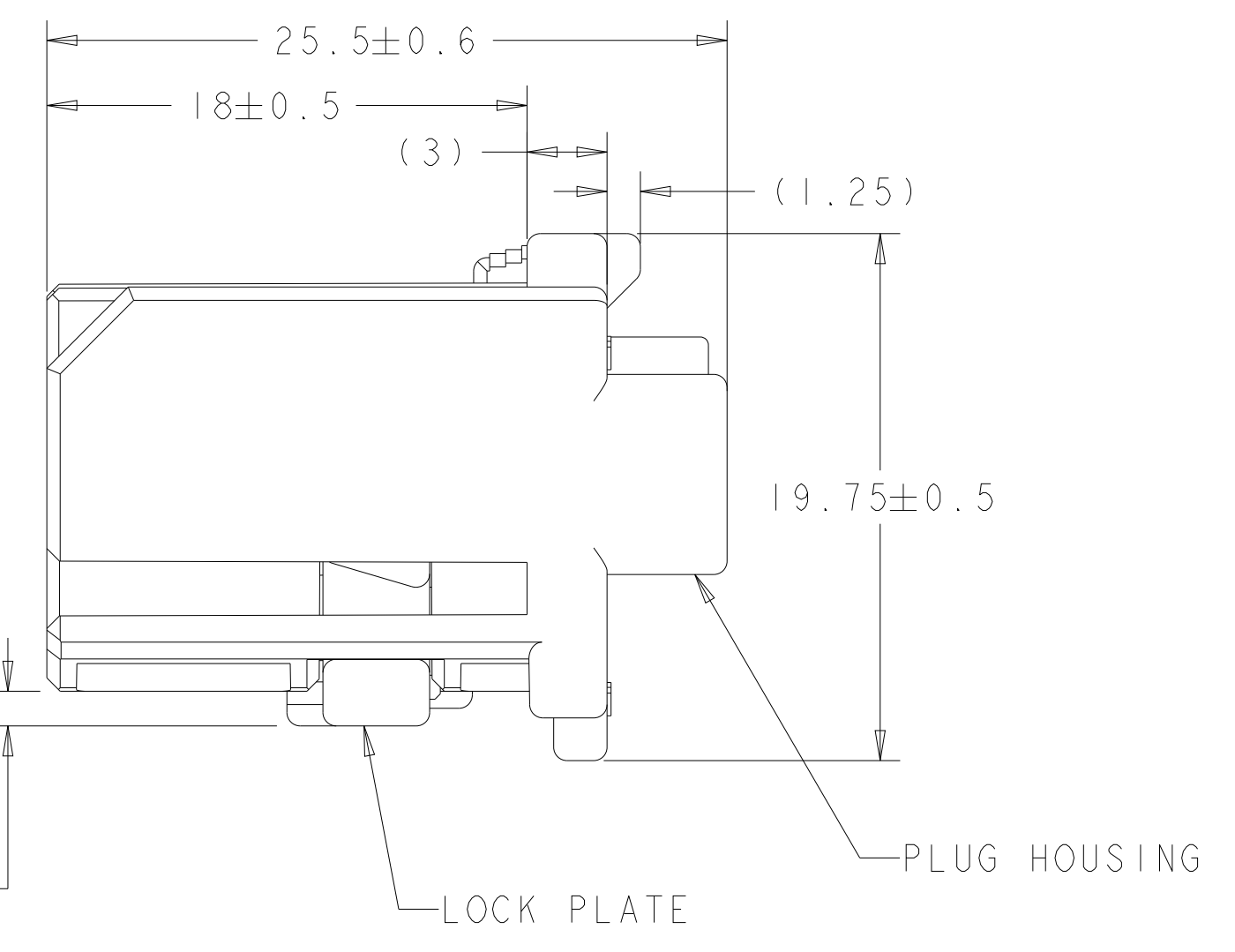
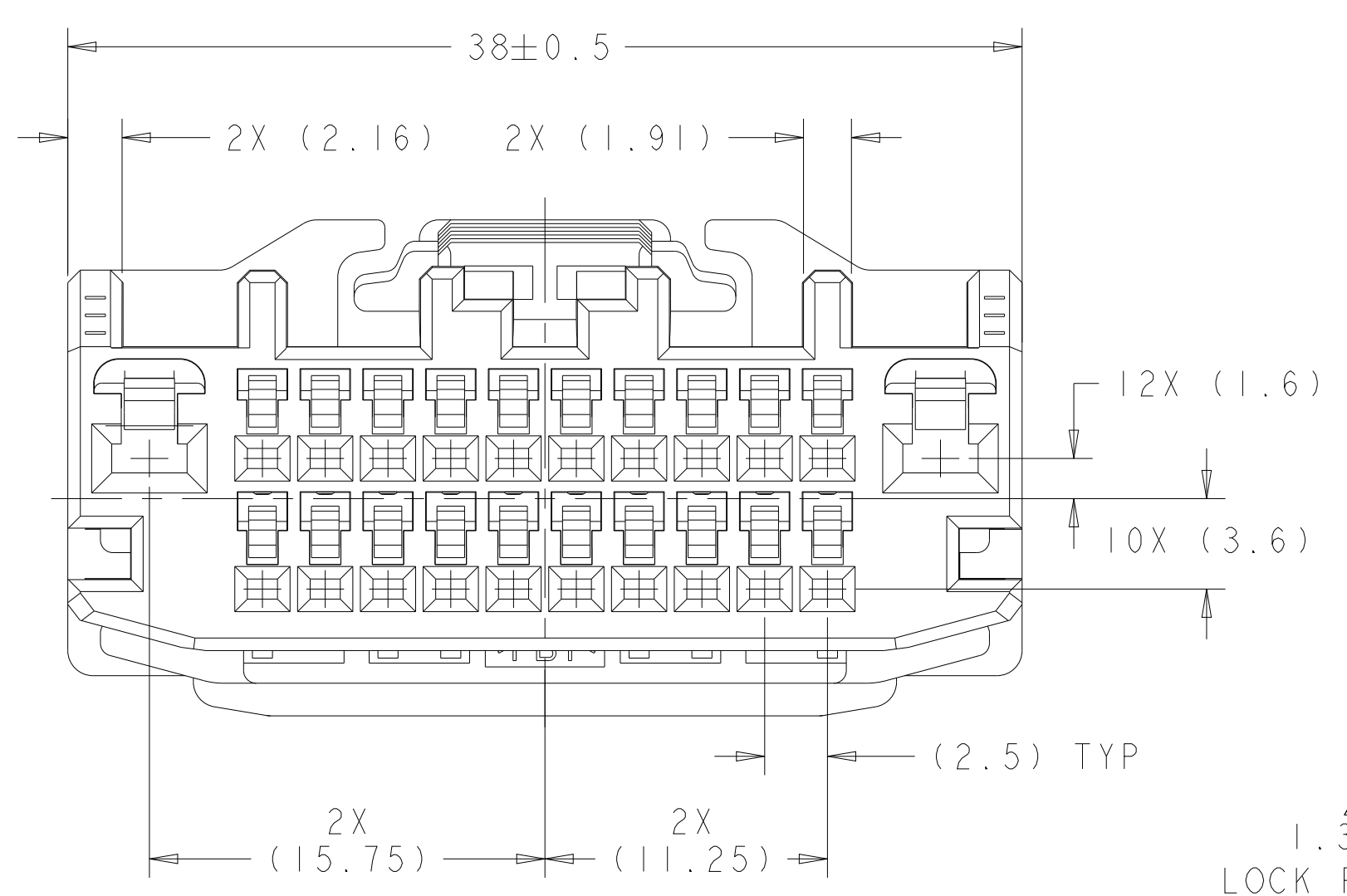


1438759-2  
KEY "C"  
BLACK



1438761-6  
KEY "A"  
GRAY

- APPLIED CONTACT PART NUMBERS:  
175265 TIN PLATING, 040 CONTACT  
175266 SELECT GOLD PLATING, 040 CONTACT  
1326030 TIN PLATING, 2.8 CONTACT
- LOCK PLATE SHOWN IN THE SHIPPING POSITION.
- VISUAL BLEMISHES MAY BE PRESENT ON EXTERNAL SURFACES DUE TO BULK PACKAGING METHODS. THESE BLEMISHES THAT DO NOT AFFECT CONNECTOR FORM, FIT, OR FUNCTION ARE CONSIDERED ACCEPTABLE.
- LOCK PLATE COMPONENT FORCES:  
INSERTION FORCE (SEATING): 75N MAX.  
REMOVAL FROM PLUG HOUSING: 15N MIN.



-KEY "1438759-1" SHOWN IN DETAILING-

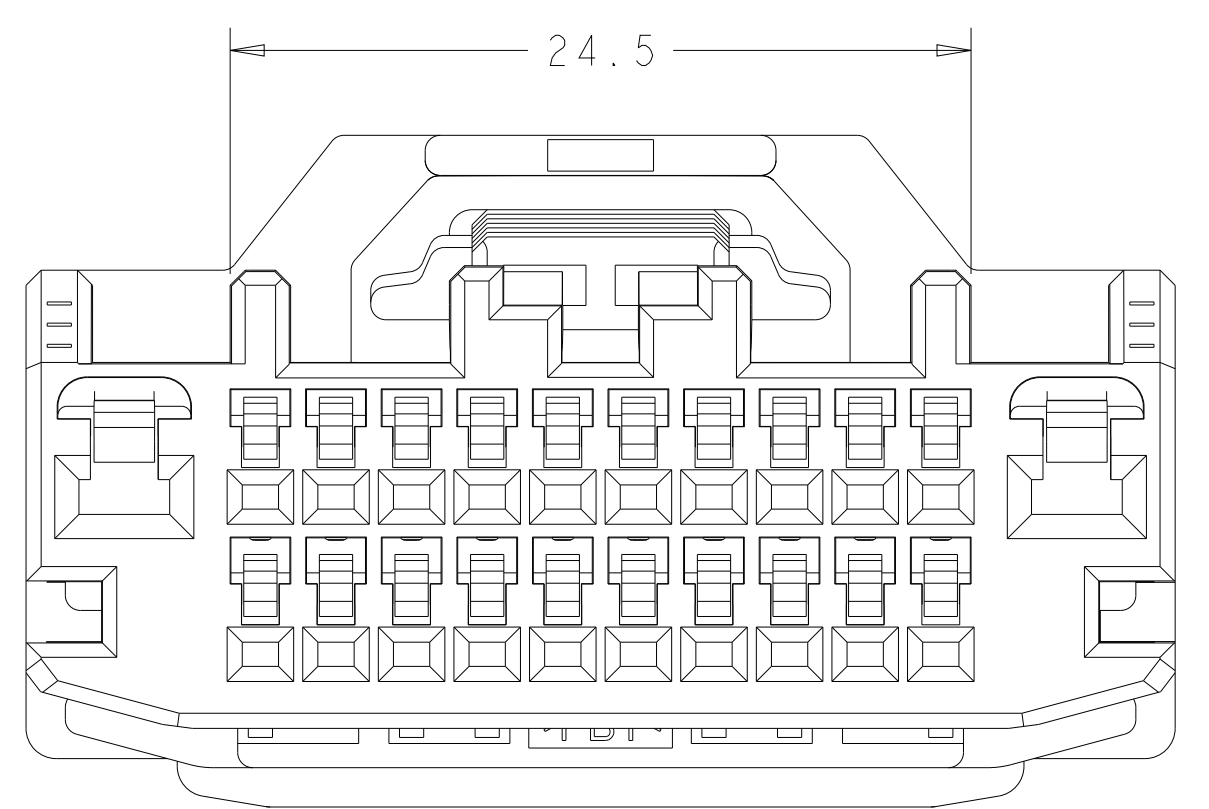
SEE SHEET 2	COLOR	KEY	PART NUMBER
SEE SHEET 2	GRAY	A	1-1438761-6
SEE SHEET 2	BLACK	C	1-1438759-2
SEE SHEET 2	WHITE	B	1-1438759-1
-	GRAY	A	1438761-6
-	BLACK	C	1438759-2
-	WHITE	B	1438759-1
ALTERNATE LATCH BRIDGE	COLOR	KEY	PART NUMBER

THIS DRAWING IS A CONTROLLED DOCUMENT.

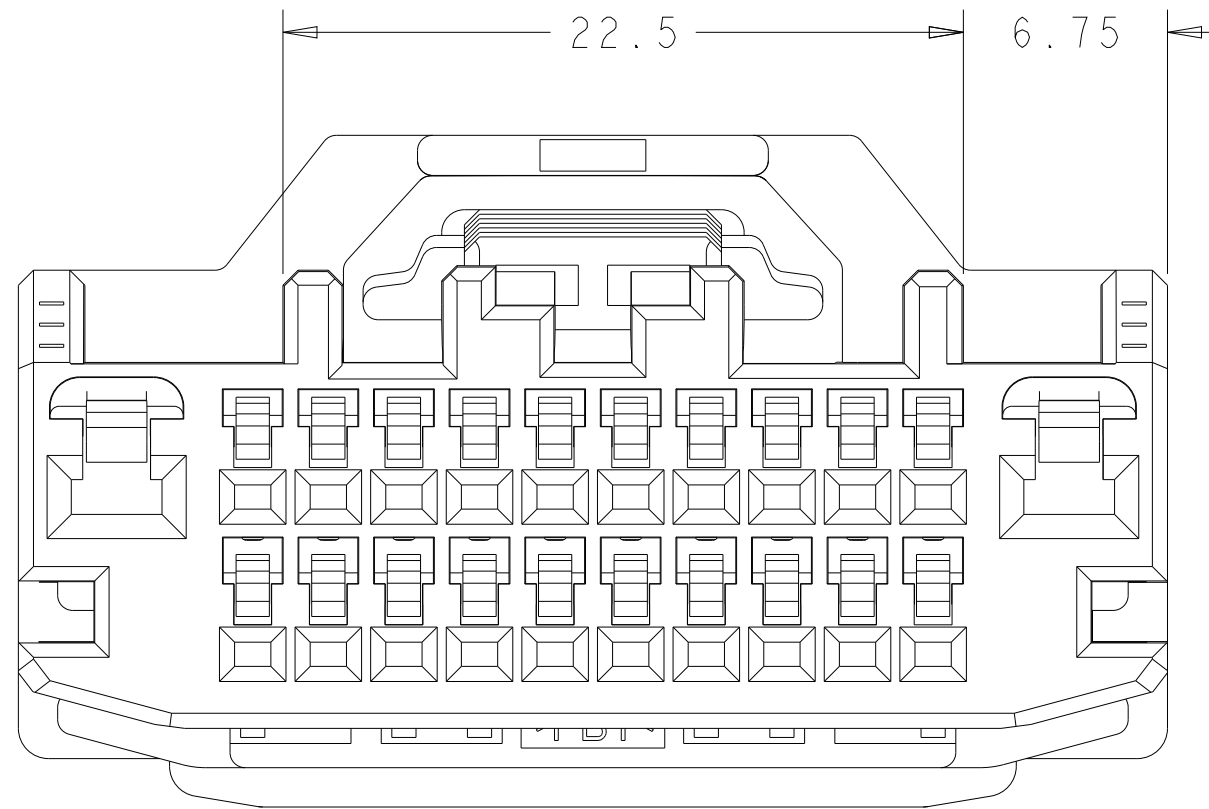
DIMENSIONS:	TOLERANCES UNLESS OTHERWISE SPECIFIED:	APVD	NAME
mm	0 PLC ±.3 2 PLC ±0.1 3 PLC ±.1 4 PLC ±.1 ANGLES ±.1*	T. MEHAFFEY 16SEP2004	PLUG ASSEMBLY, 22-WAY HYBRID 040/2.8
MATERIAL:	FINISH:	SIZE	RESTRICTED TO
PBT	-	A100779	-

Customer Drawing SCALE 4:1 SHEET 1 OF 2 REV E3

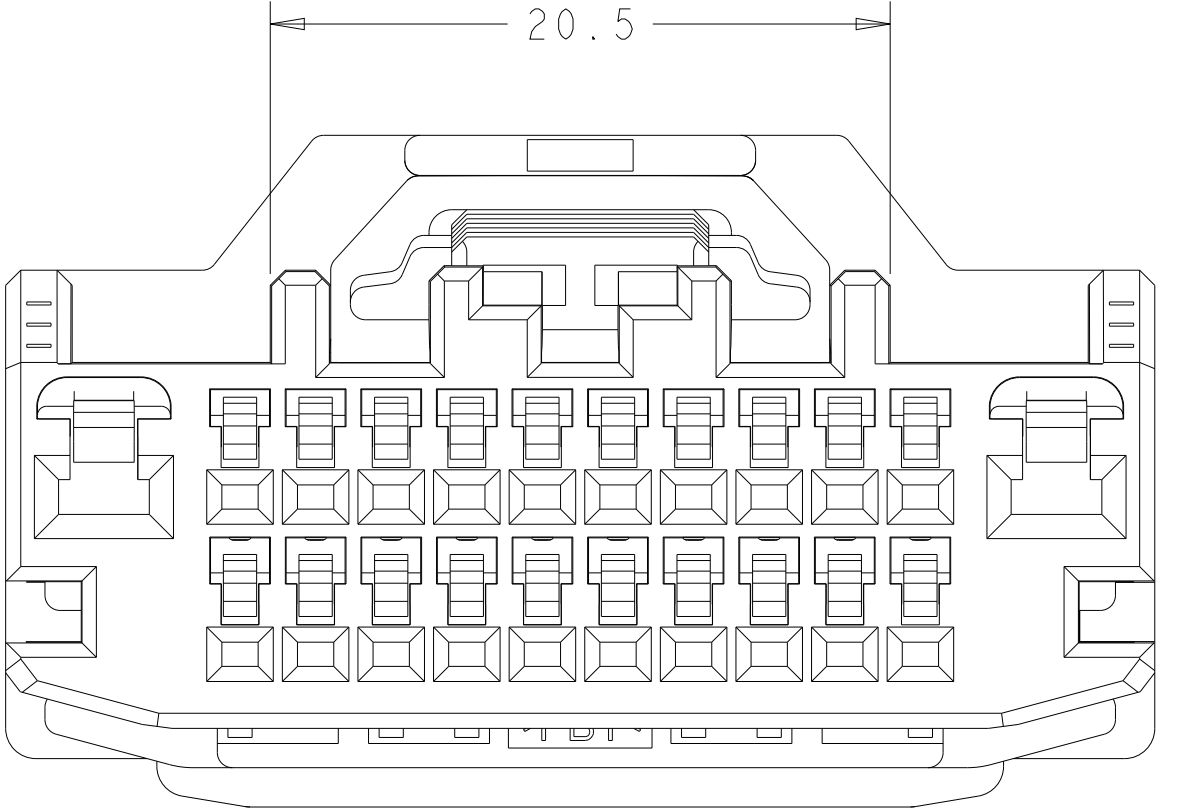
REVISIONS				
P.	LTN.	DESCRIPTION	DATE	APVD.
-	-	SEE SHEET 1	-	-



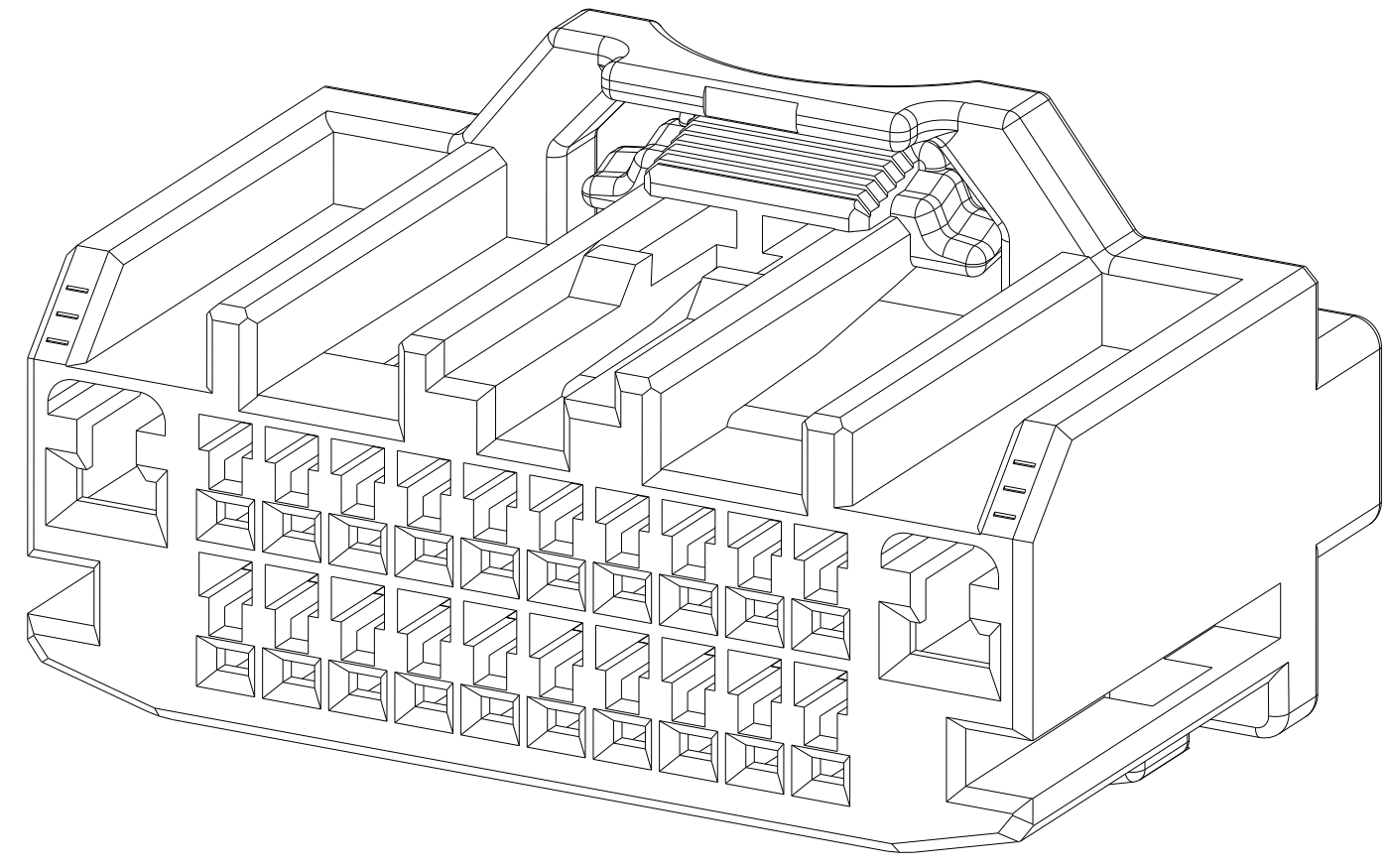
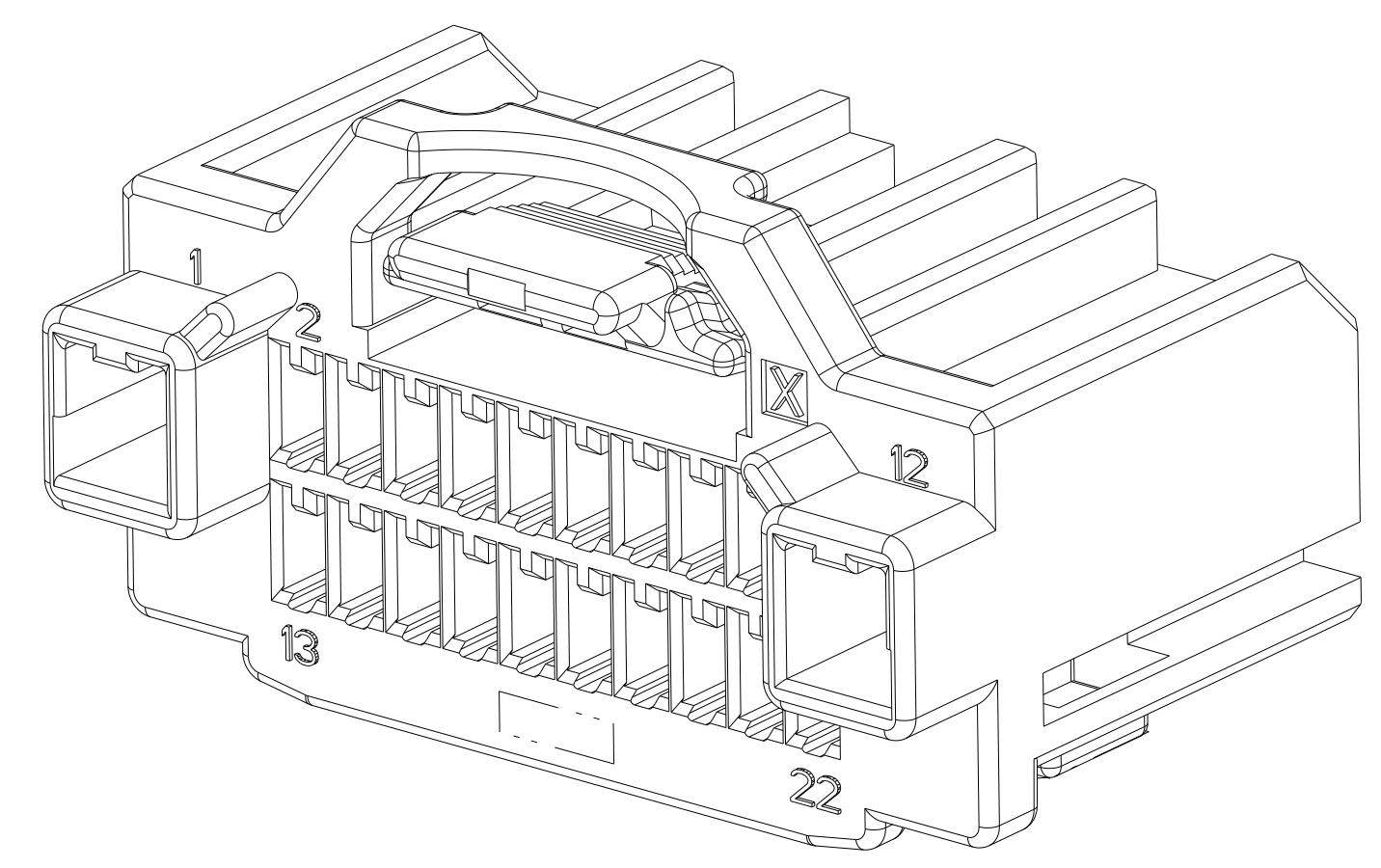
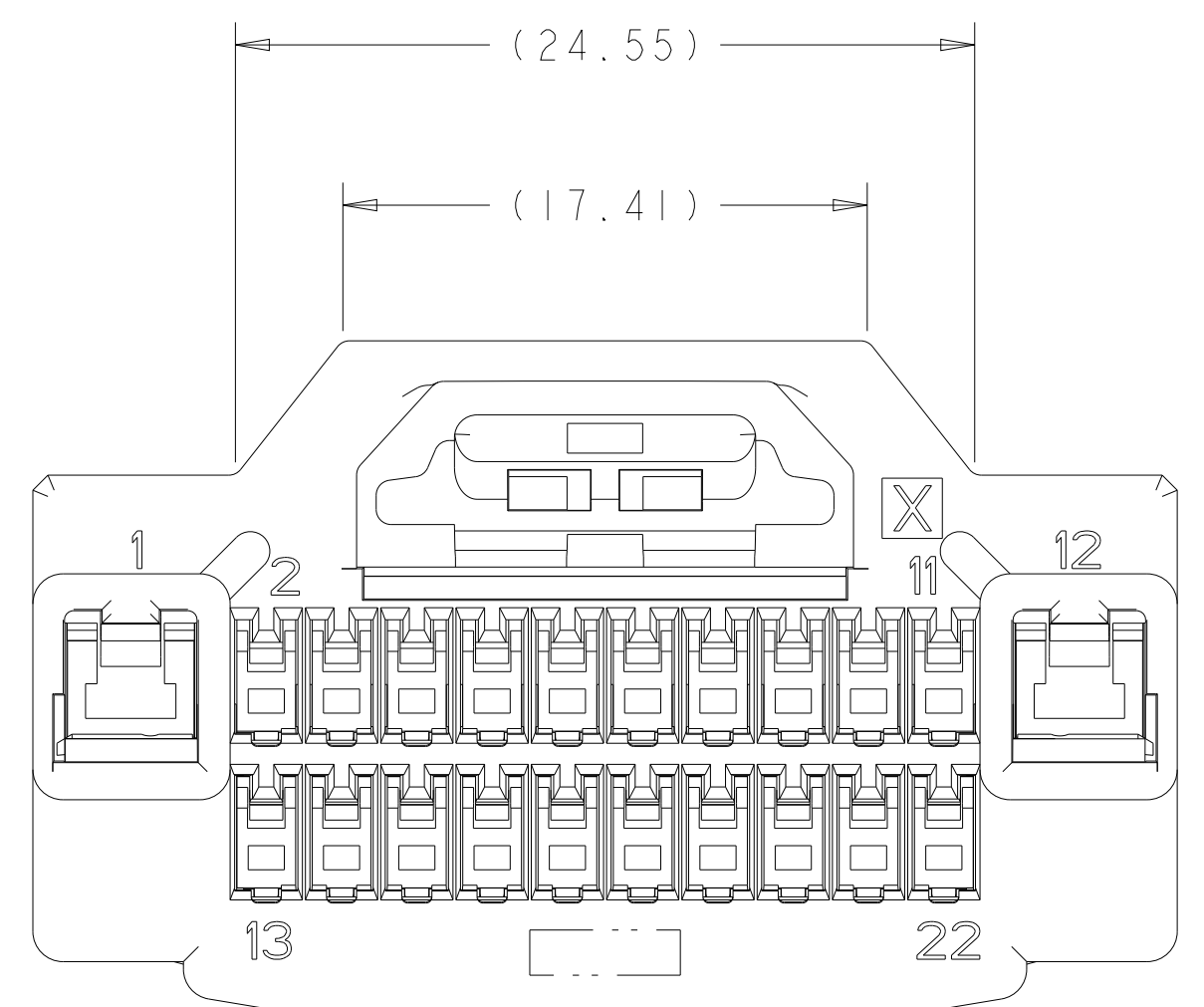
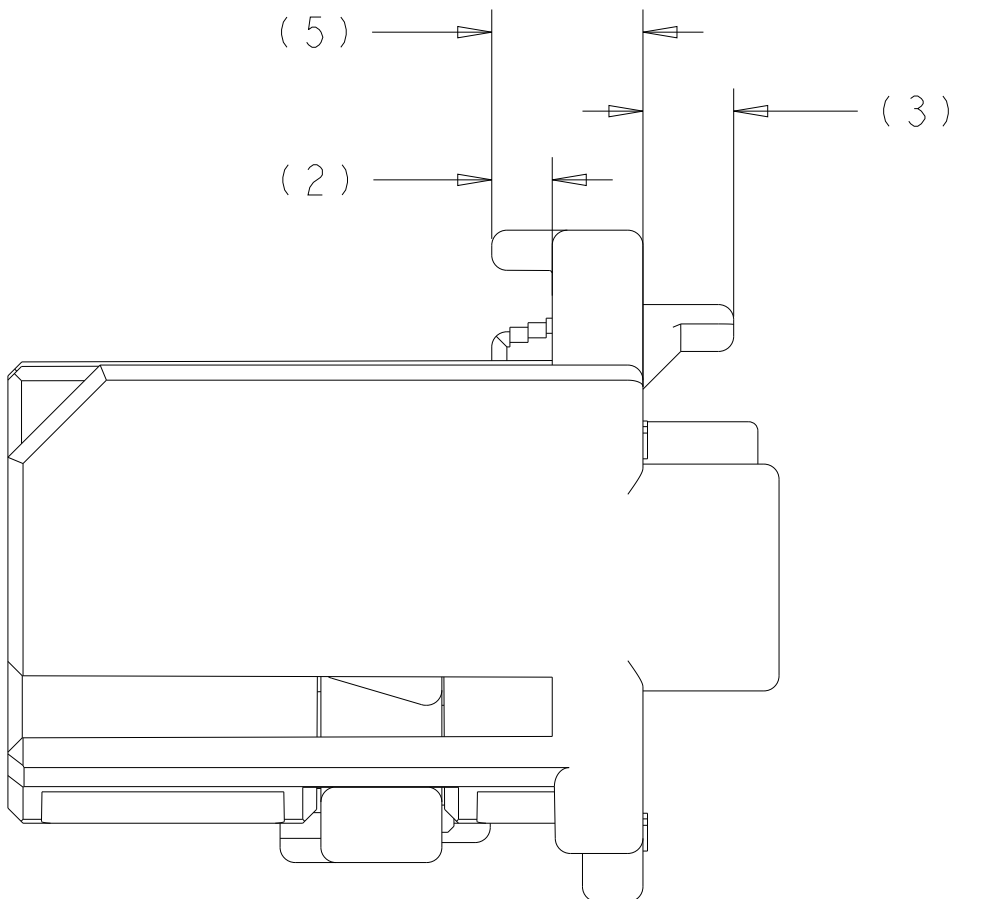
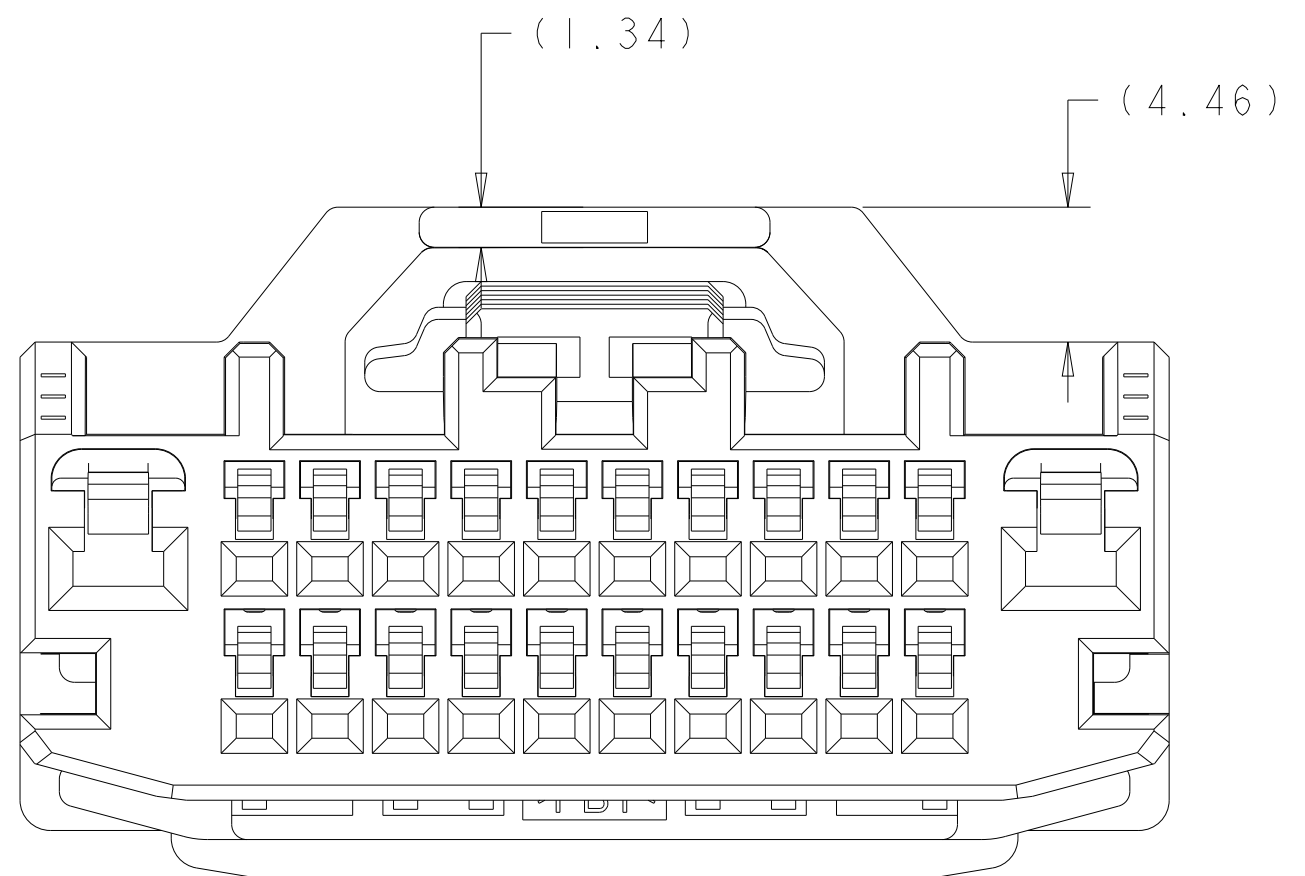
1-1438759-1  
KEY "B"  
WHITE



1-1438759-2  
KEY "C"  
BLACK



1-1438761-6  
KEY "A"  
GRAY



ALL DIMENSIONS ARE SAME AS WITHOUT LATCH BRIDGE VERSION EXCEPT THE DIMENSIONS SHOWN.

-KEY "1-1438759-1" SHOWN IN DETAILING-

THIS DRAWING IS A CONTROLLED DOCUMENT.		OWN: M. HITCHCOCK 16SEP2004	TE Connectivity
DIMENSIONS: mm		CHK: G. MARTIN 16SEP2004	
TOLERANCES UNLESS OTHERWISE SPECIFIED:		APVD: T. McHAFFEY 16SEP2004	NAME: PLUG ASSEMBLY, 22-WAY HYBRID 040/2.8
0 PLC ±0.3		PRODUCT SPEC: 108-2217	
1 PLC ±0.1		APPLICATION SPEC: 114-13158	SIZE: A100779 C=1438759 SCALE: 4:1 SHEET 2 OF 2 REV E3
2 PLC ±0.1		WEIGHT: -	
3 PLC ±0.1		MATERIAL: PBT	
4 PLC ±0.1		Customer Drawing	
ANGLES ±1*		RESTRICTED TO: -	
FINISH: -		DATE: -	