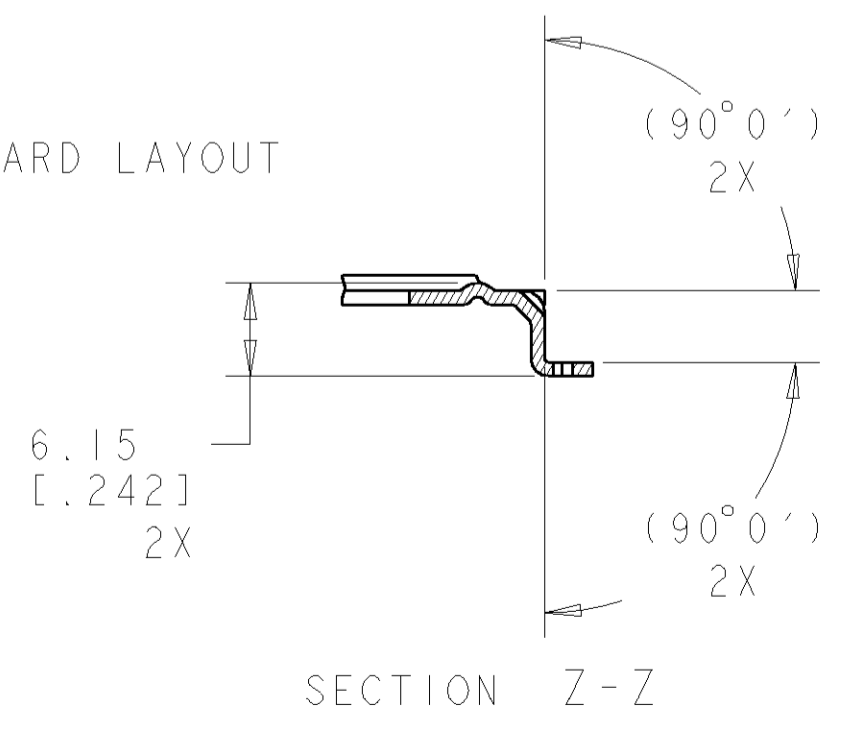
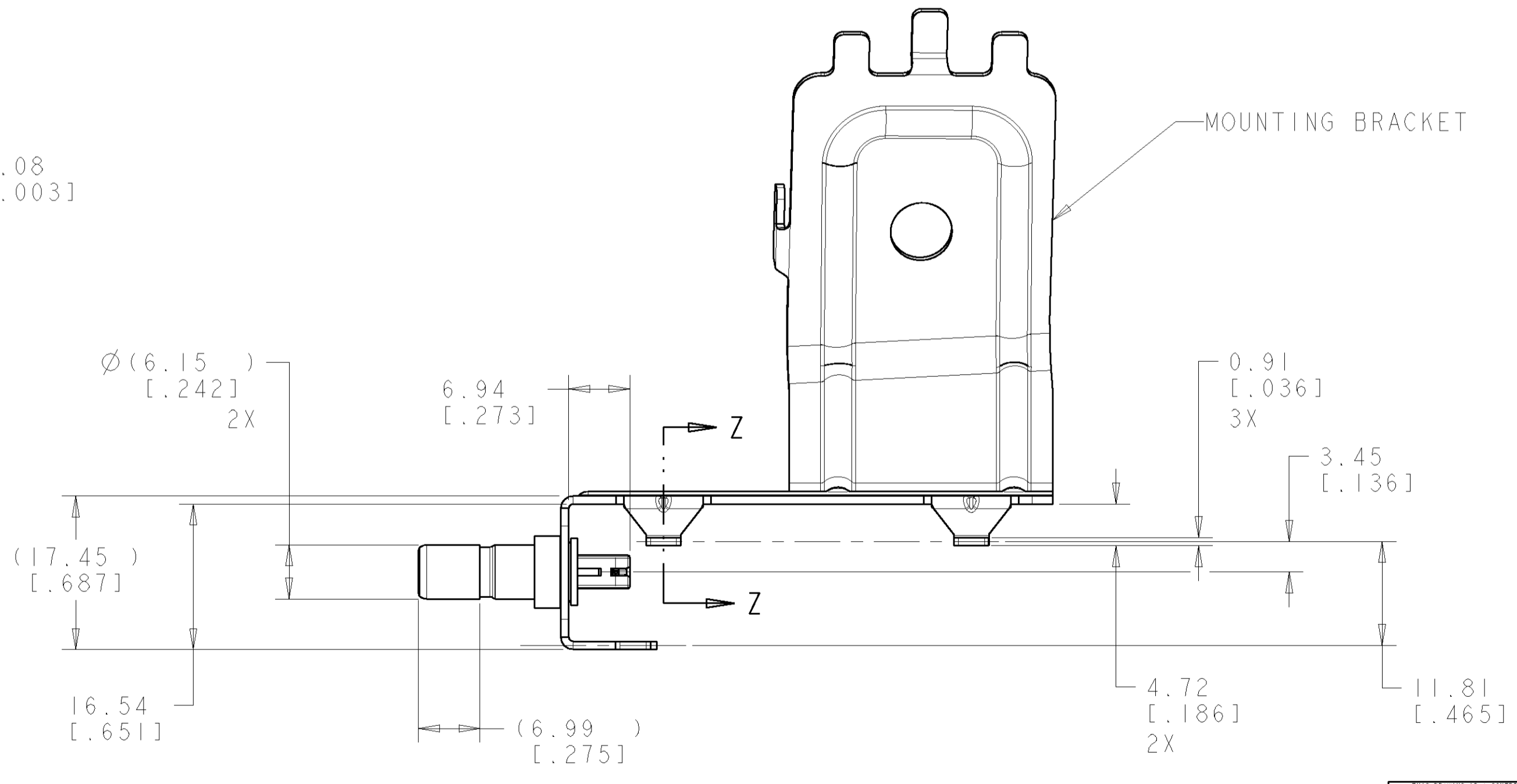
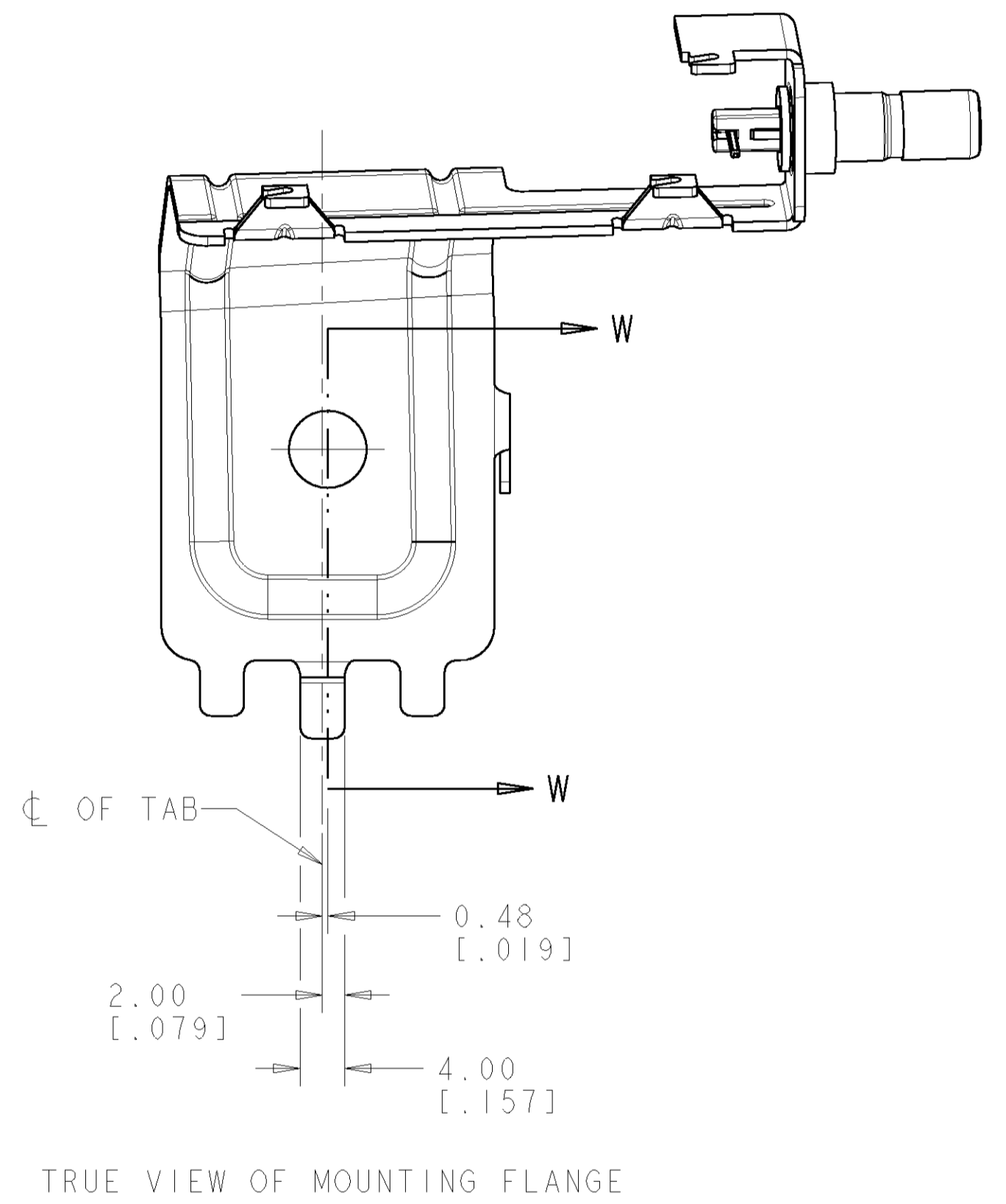
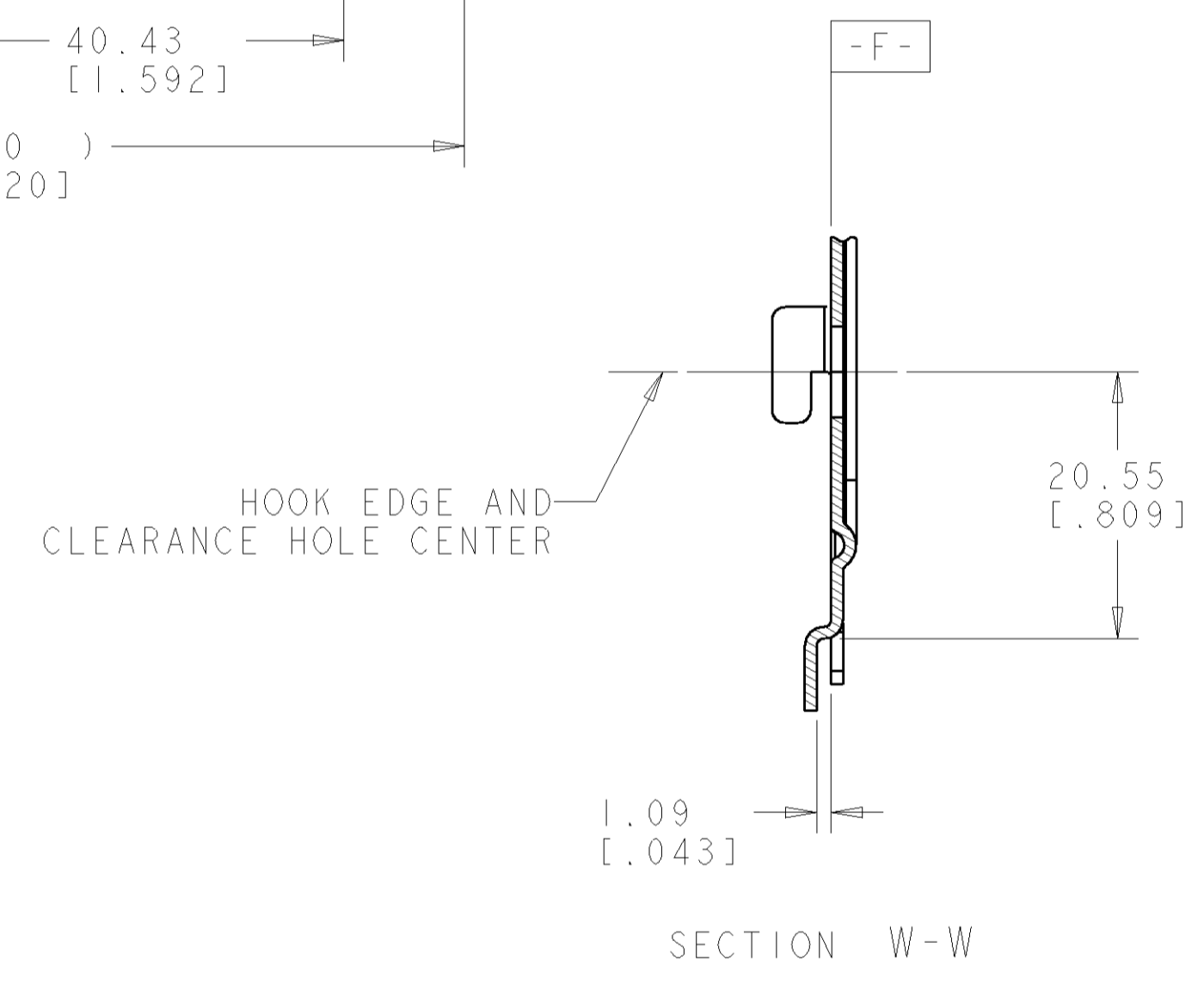
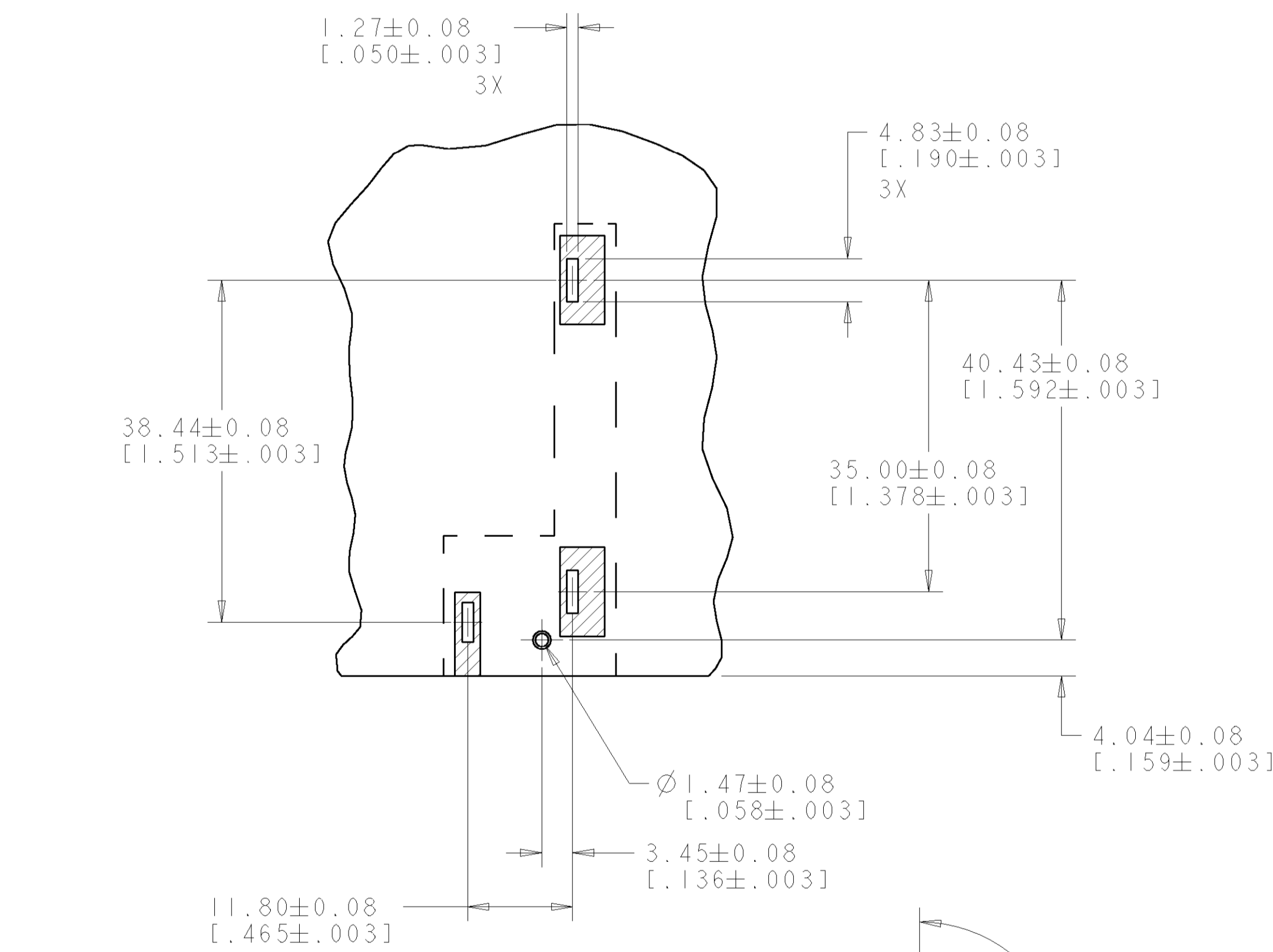
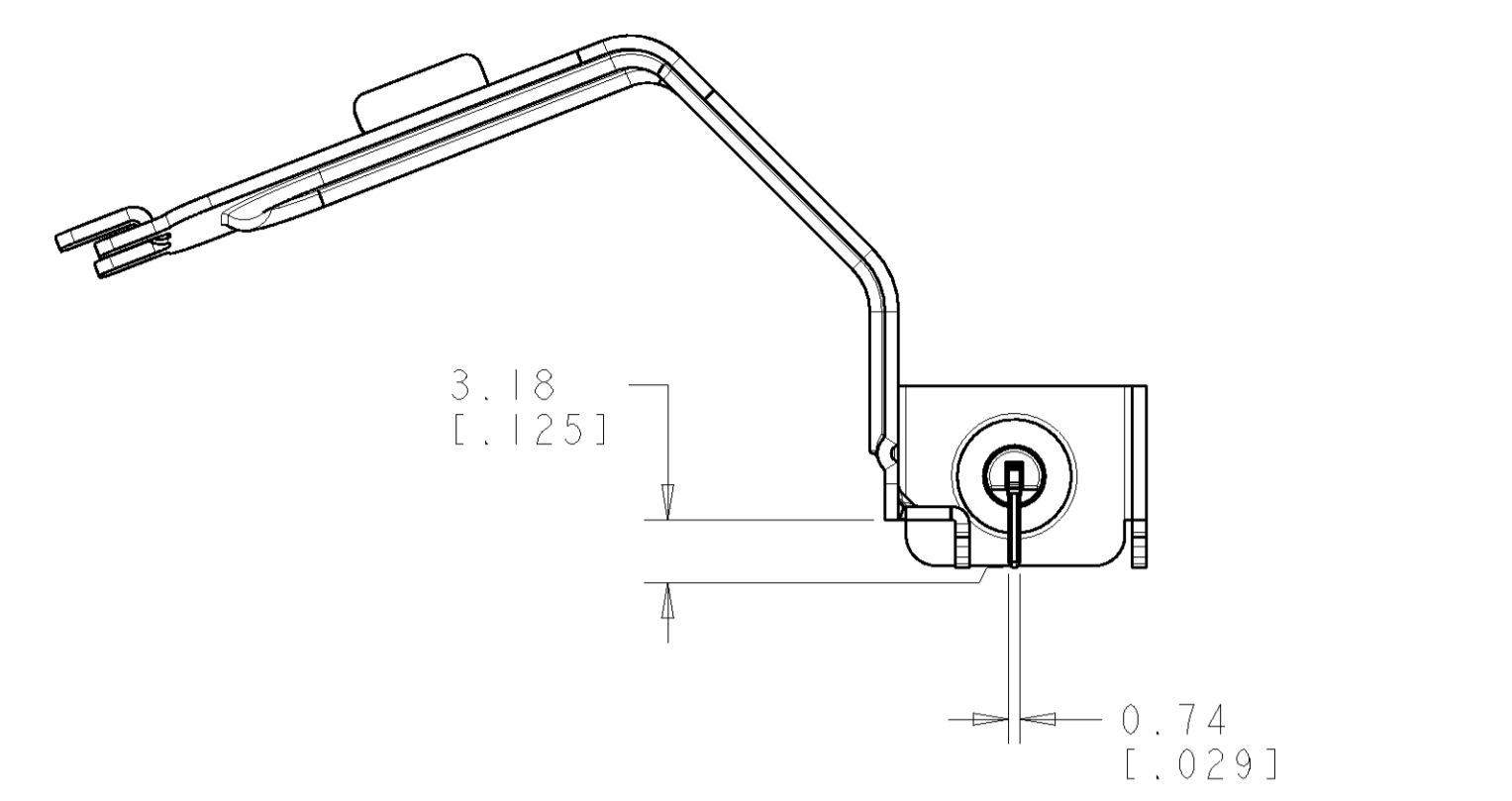
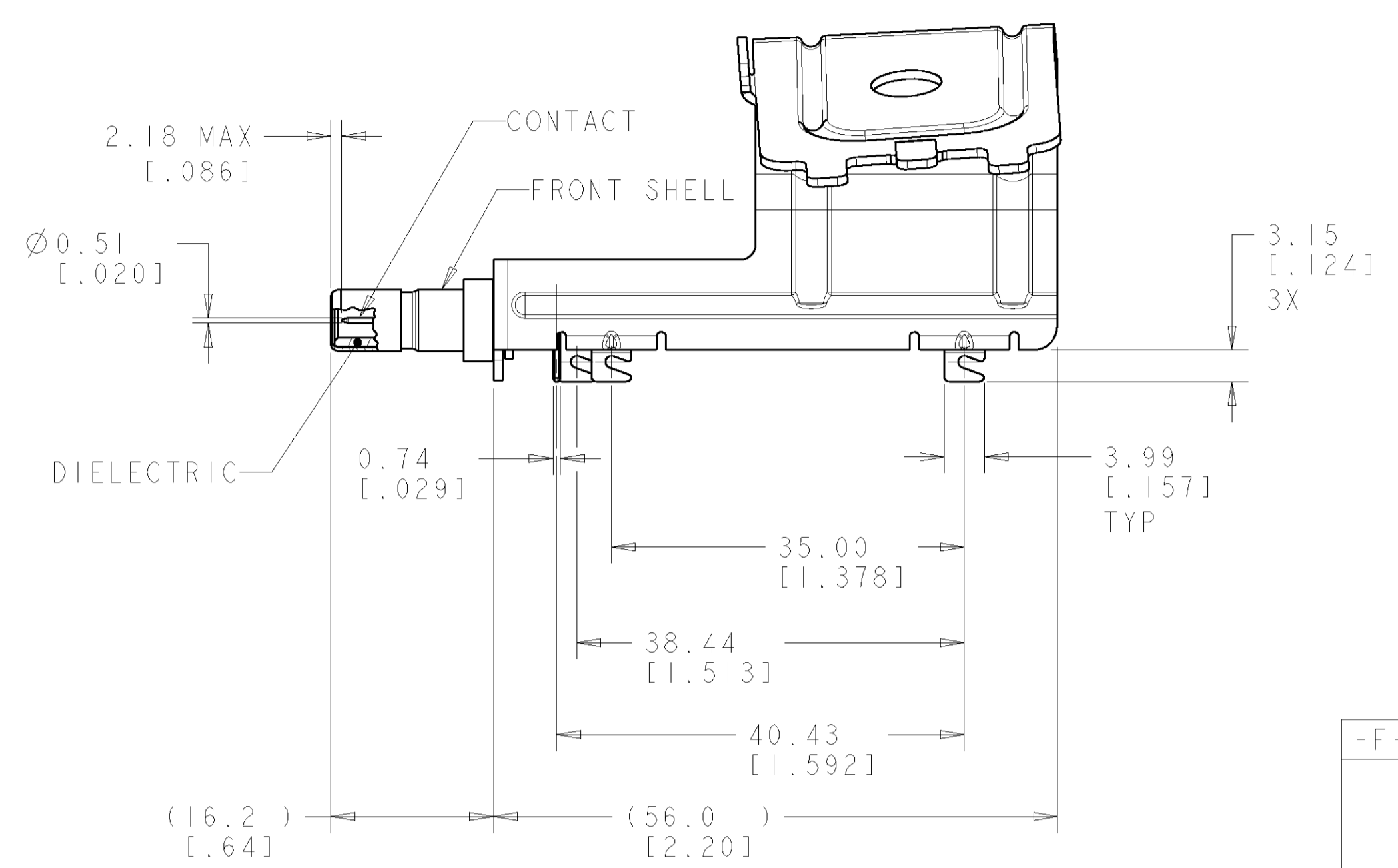
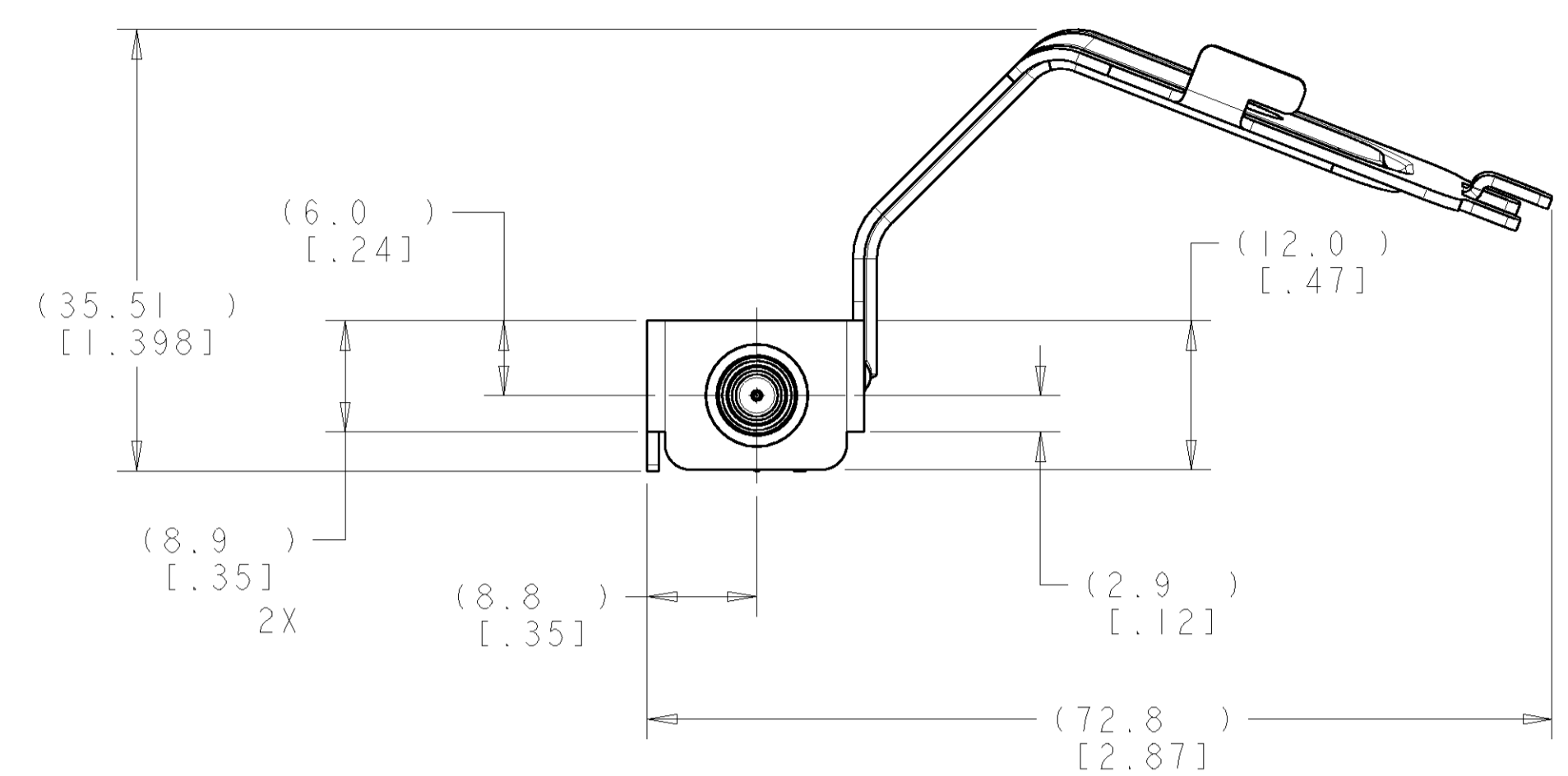


LOC	DIST	REV	DESCRIPTION	DATE	BY	APPD
IN	00	0	RELEASED PER EC 0K01-126-04	11AUG2004	DJH	JMR
		A	REVISED PER EC 0K40-360-04	05OCT2004	DJH	LLV
		B	REVISED PER ECR 05-7331	01AUG2005	DJH	JMR



- 1. MOUNTING BRACKET: STEEL.
FRONT SHELL AND CONTACT: BRASS.
DIELECTRIC: POLYMETHYLPENTENE, NATURAL.
- 2. MOUNTING BRACKET: TIN PLATED.
FRONT SHELL: 2.54µm [.000100] MIN TIN OVER 1.27µm [.000050] MIN NICKEL.
CONTACT: 3.81µm [.000150] MIN TIN OVER 1.27µm [.000050] MIN NICKEL.
- 3. SEE INSTRUCTION SHEET 408-8935.

DIMENSIONS: mm [INCHES]		TOLERANCES UNLESS OTHERWISE SPECIFIED: 0 PLC ± .3 [.01] 1 PLC ± .13 [.005] 2 PLC ± .075 [.003] 3 PLC ± .05 [.002] 4 PLC ± .025 [.001] ANGLES ± 30°		DWN: D. J. HARDY 18MAR2004 CHK: J. M. RAUDENBUSH 12MAY2004 APVD: J. M. RAUDENBUSH 12MAY2004		Tyco Electronics Harrisburg, PA 17105-3608	
MATERIAL: 1		FINISH: 2		PRODUCT SPEC: - APPLICATION SPEC: - WEIGHT: -		NAME: BRACKET ASSEMBLY, PC BOARD, JACK, LOW PROFILE, SNAP-LOCK SIZE: A1 CAGE CODE: 00779 DRAWING NO: 1438577 RESTRICTED TO: -	
CUSTOMER DRAWING				SCALE: 2:1		SHEET: 1 OF 1 REV: B	