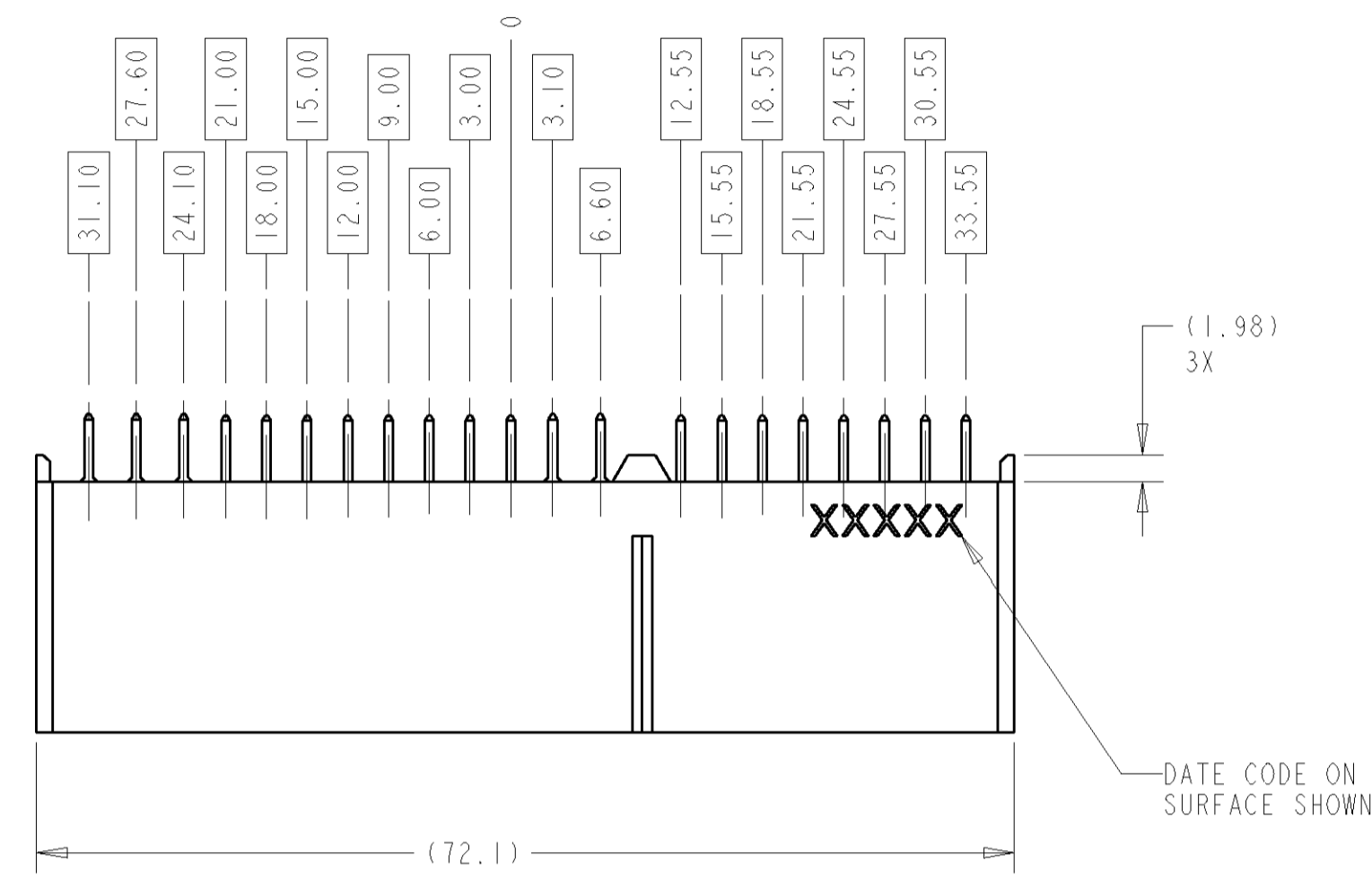
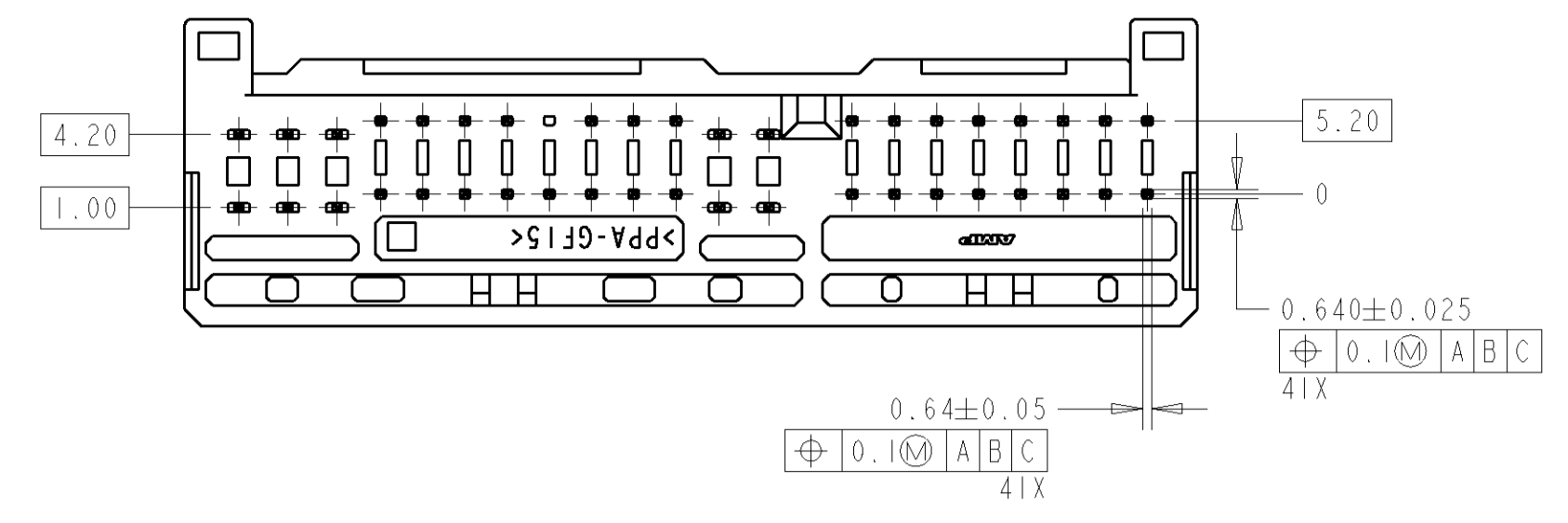
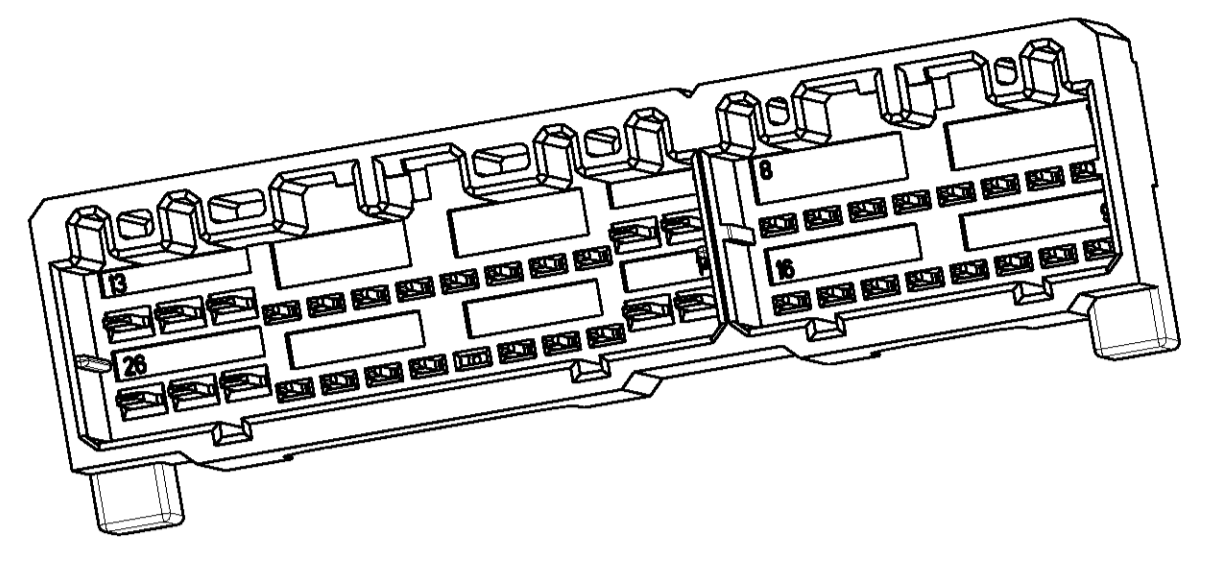
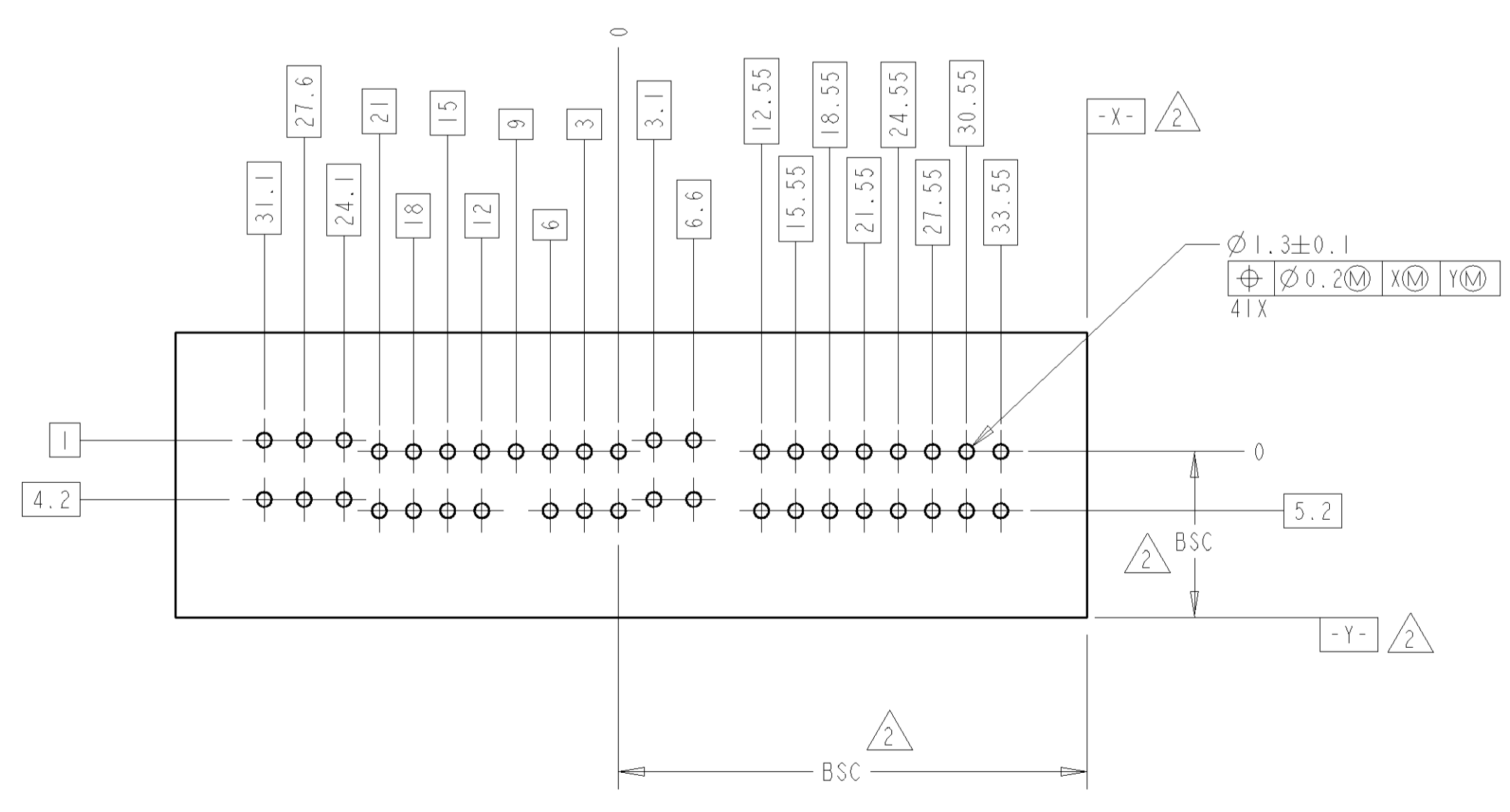
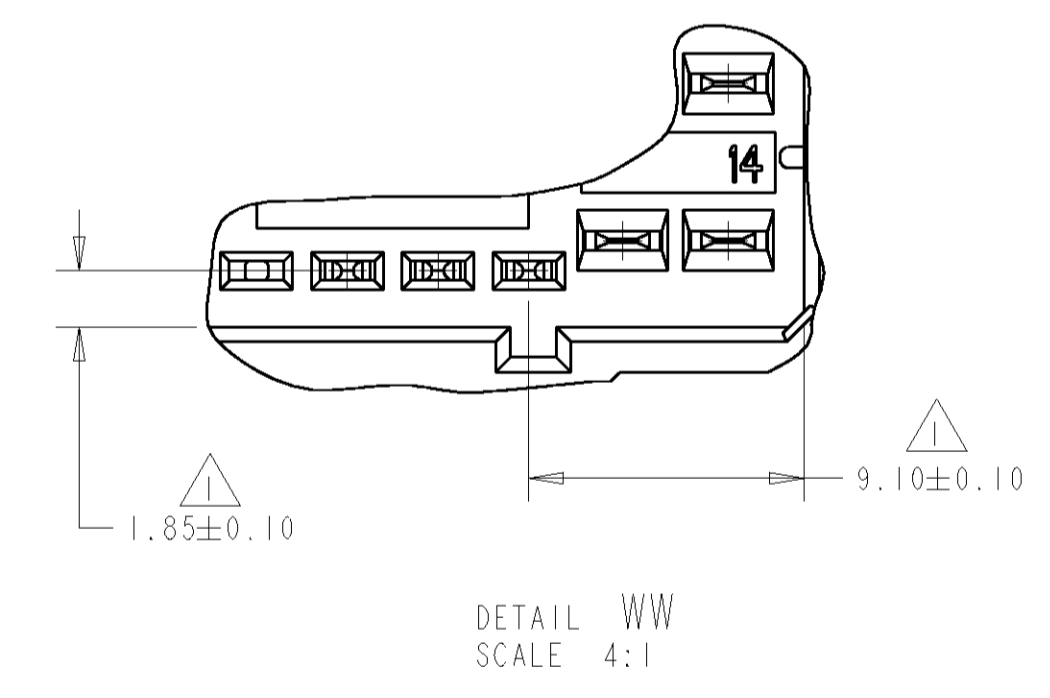
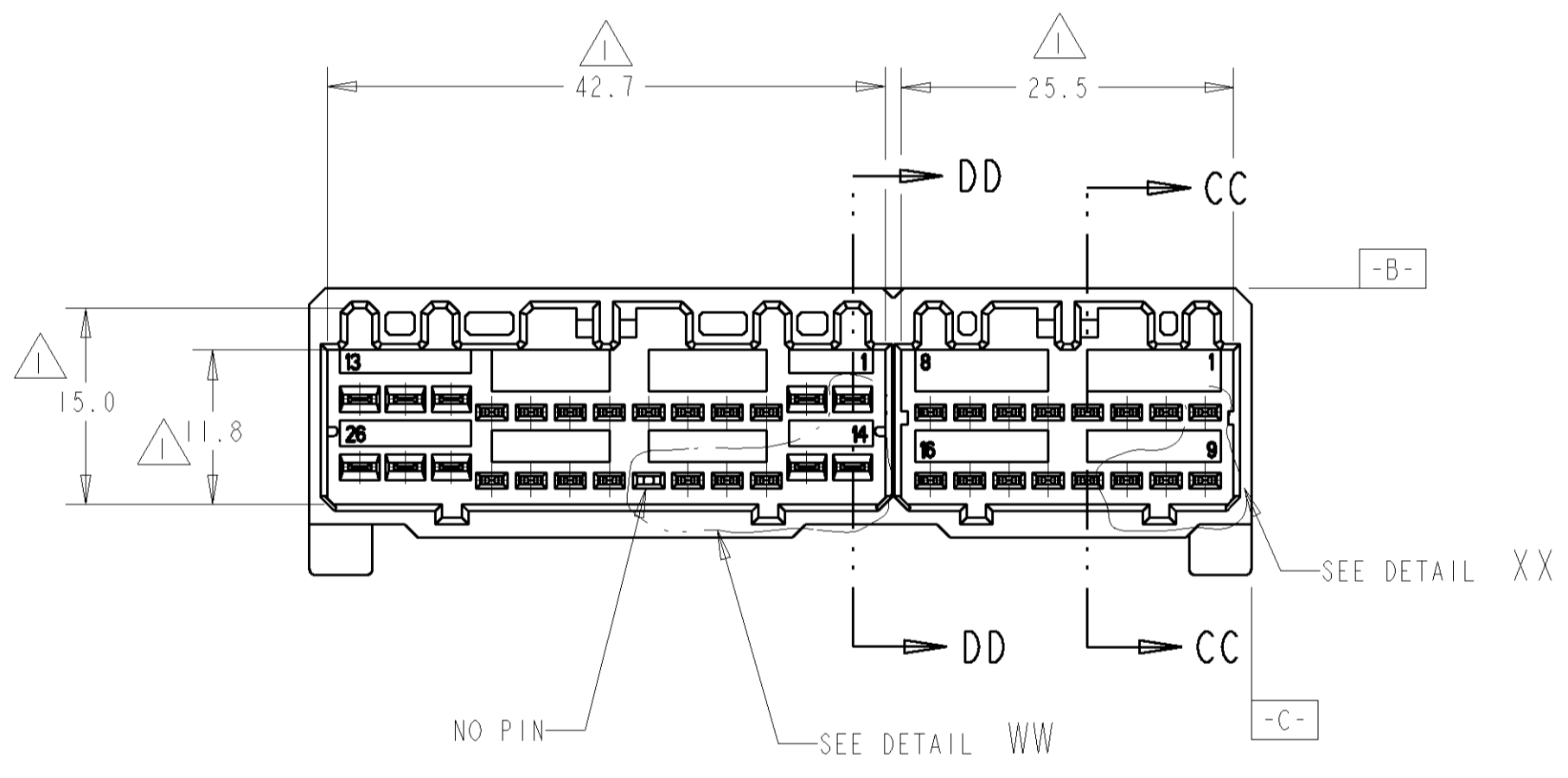
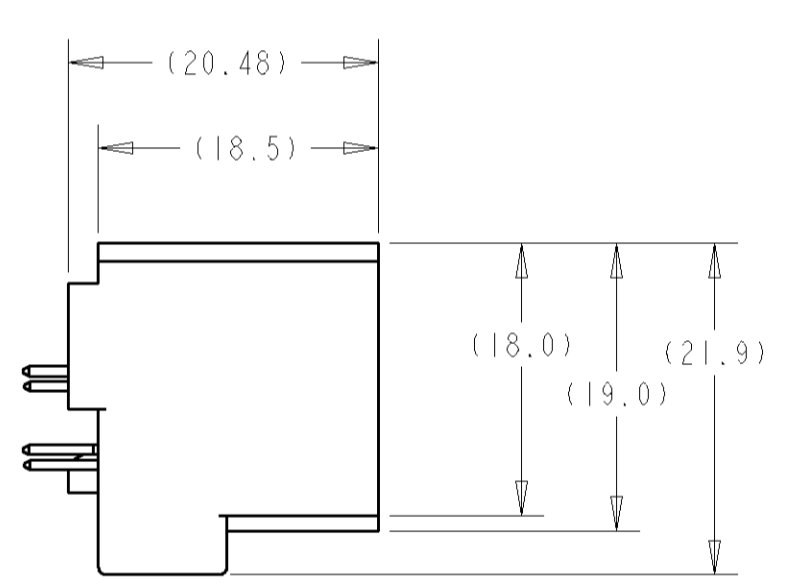
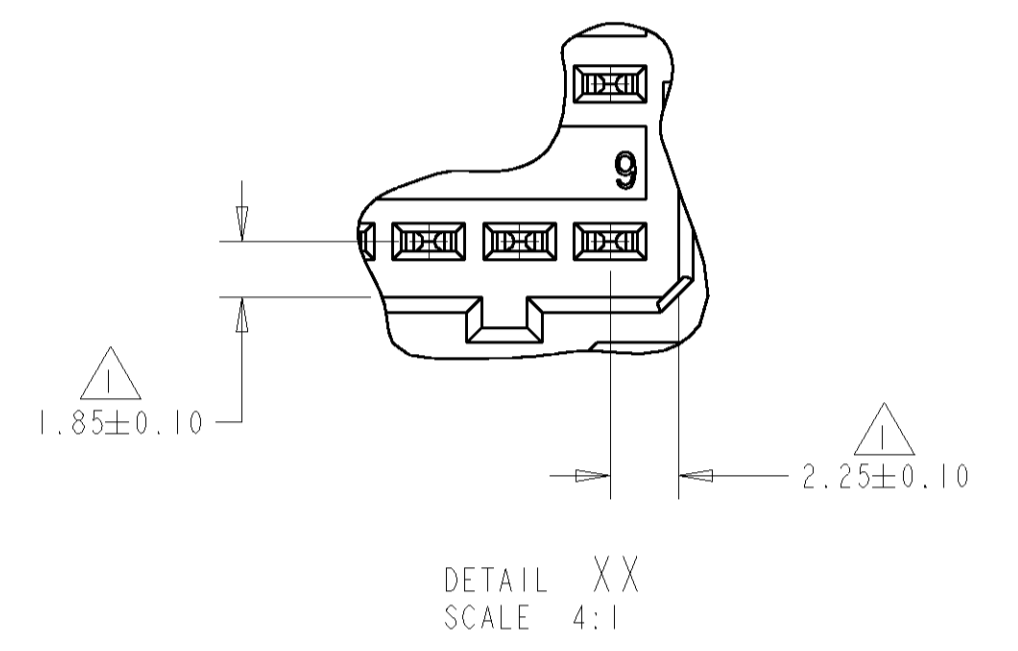


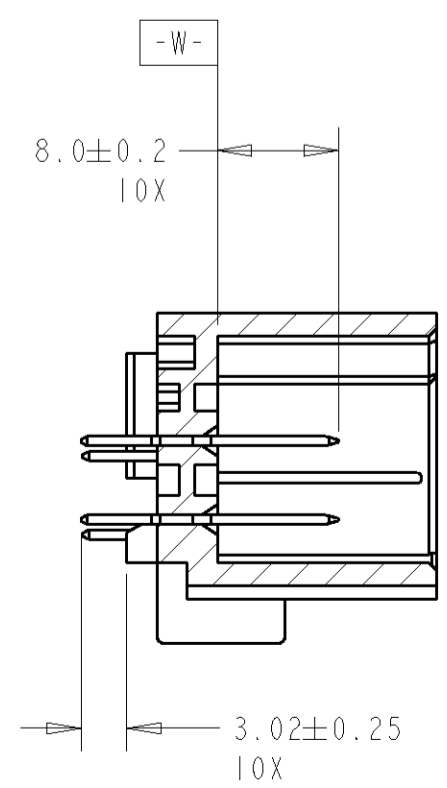
LOC	DIST	REVISIONS			
P	LTR	DESCRIPTION	DATE	DWN	APVD
0		RELEASE PER EC 0K80-0335-03	09OCT2003	AH	RC



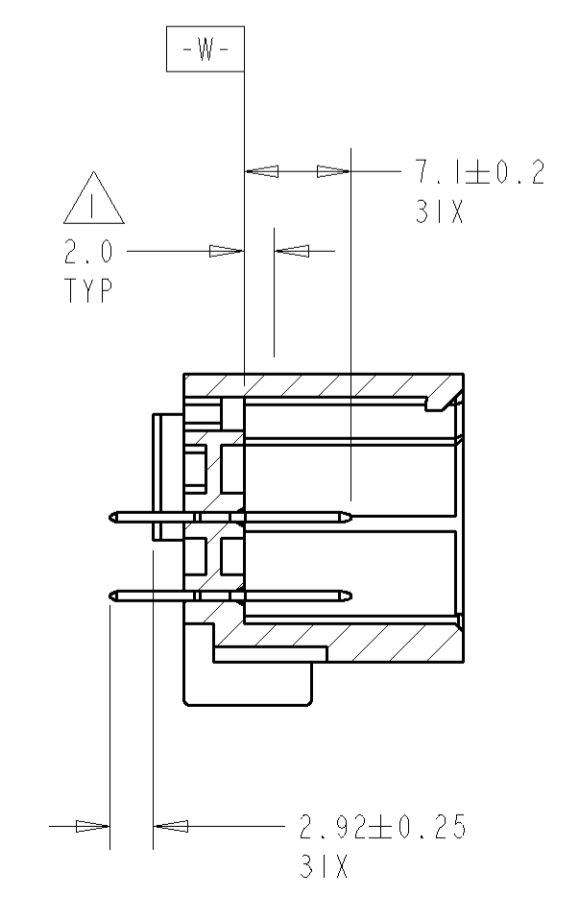
- 1. DIMENSION MUST BE HELD BETWEEN -W- AND 2mm FROM -W-
- 2. DATUMS AND BASIC DIMENSIONS ESTABLISHED BY CUSTOMER.
- 3. THE MATING PLUG PART NUMBER IS 917981 AND 917992



PC BOARD LAYOUT - COMPONENT SIDE
 (RECOMMENDED BOARD THICKNESS 1.57mm)
 SCALE 2:1



SECTION DD-DD
 (.070 TABS)



SECTION CC-CC
 (.040 TABS)

DIMENSIONS:		TOLERANCES UNLESS OTHERWISE SPECIFIED:		MATERIAL	
mm	0 PLC ±	1 PLC ±0.3	2 PLC ±0.15	3 PLC ±	4 PLC ±
	ANGLES	40°±10°		FINISH	SEE TABLE

CONTACT		HOUSING		PART NO
BRASS	TIN	HT	GRAY	9-1438429-6
MATERIAL	FINISH	MATERIAL	COLOR	

DRN	DATE	BY	CHKD	APVD	NAME	SIZE	CAGE CODE	DRAWING NO	RESTRICTED TO
A. HOLT	09OCT2003	R. COOPER	R. COOPER	R. COOPER	42 POSITION/41 POSITION LOAD .040/.070 CAP ASSEMBLY, VERTICAL	A	00779	1438429	

Customer Drawing: SCALE 2:1 SHEET 1 OF 1 REV 0