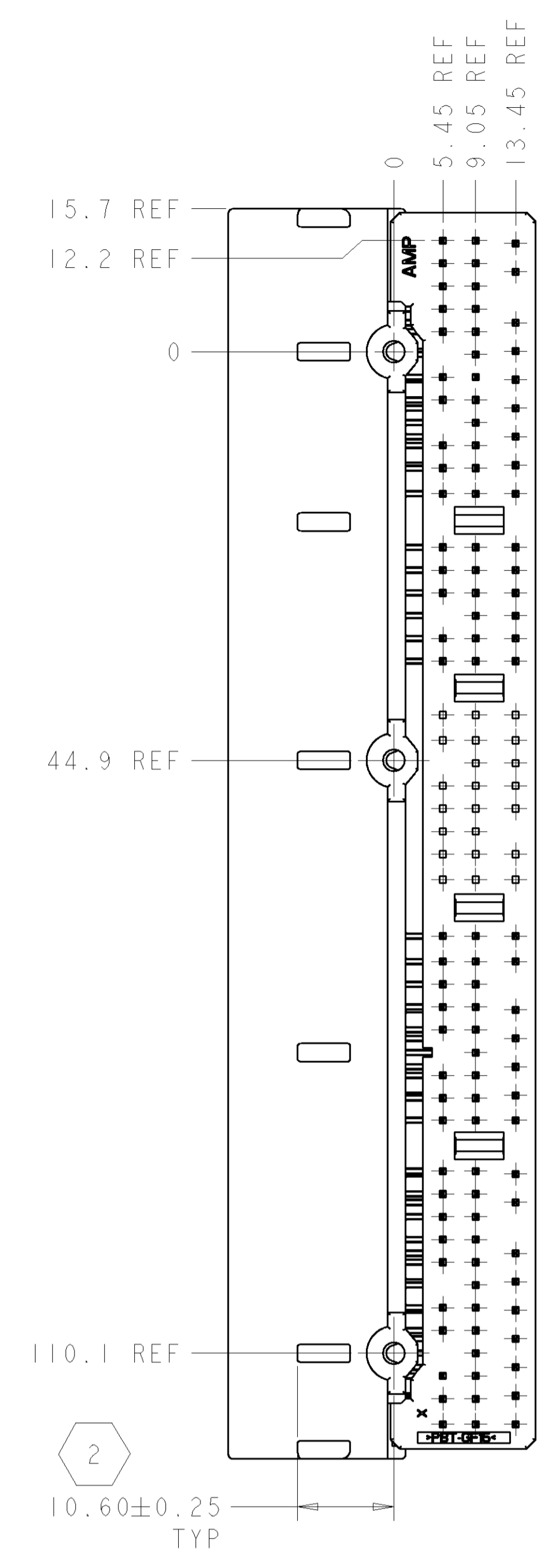
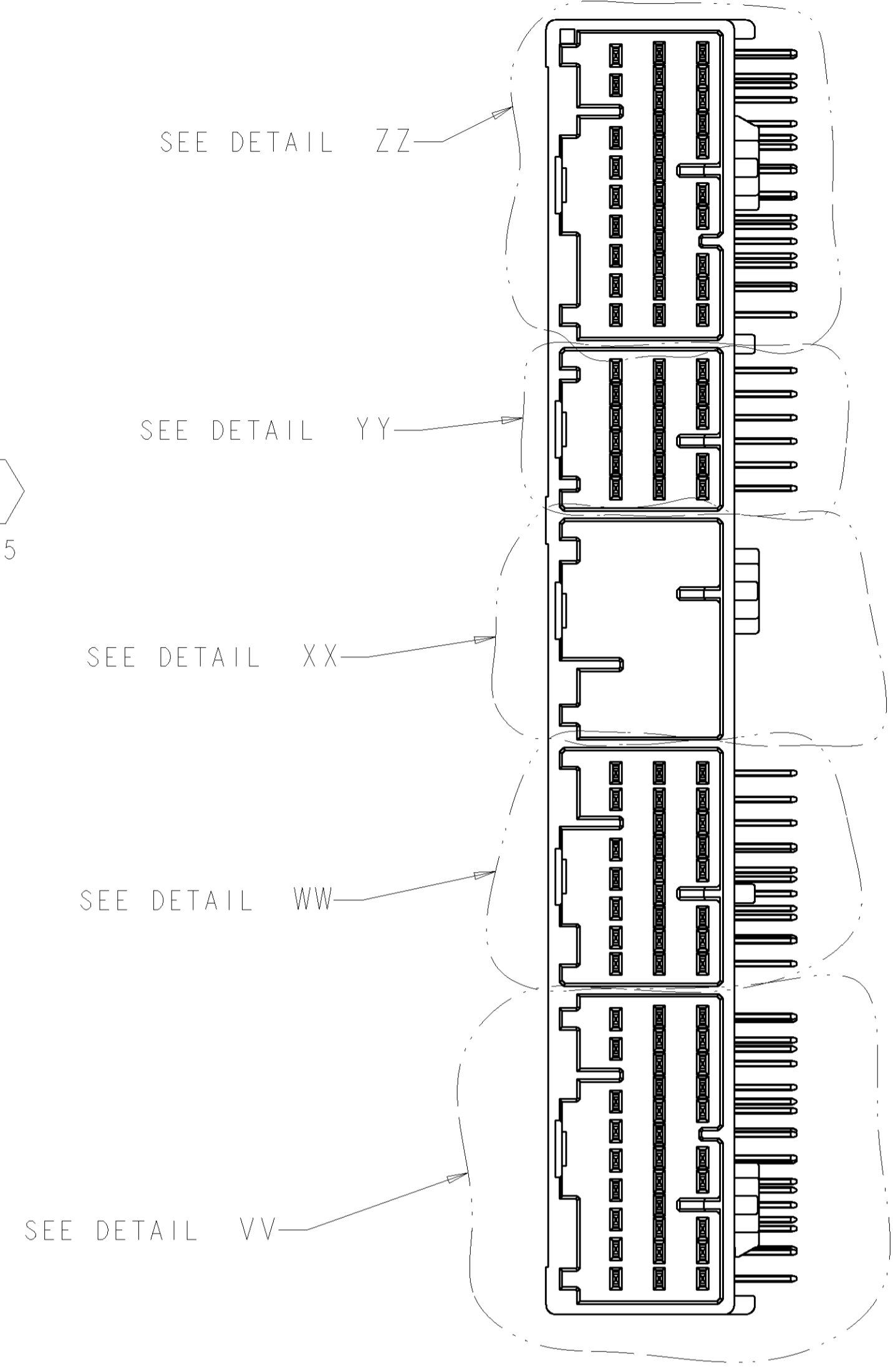
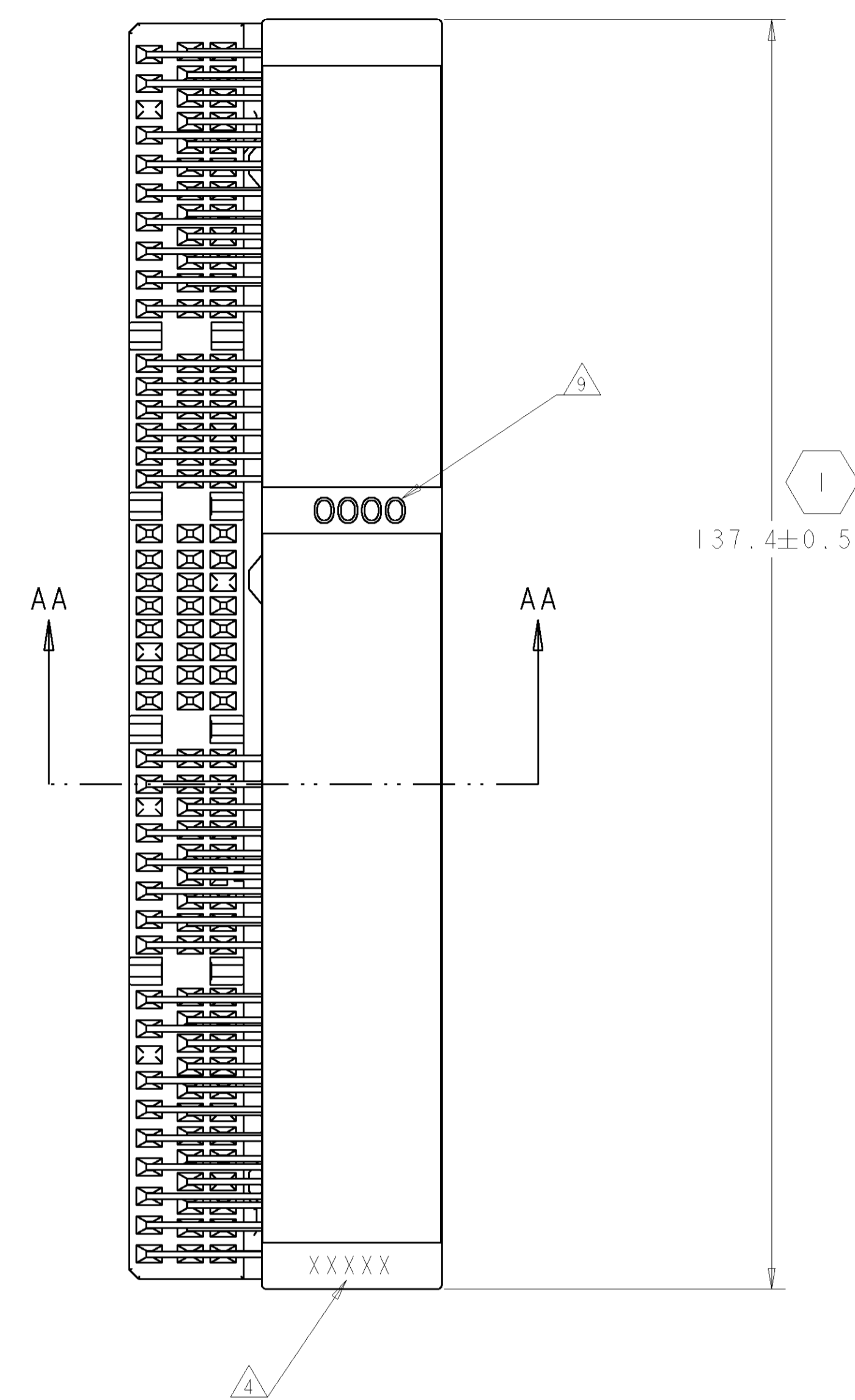
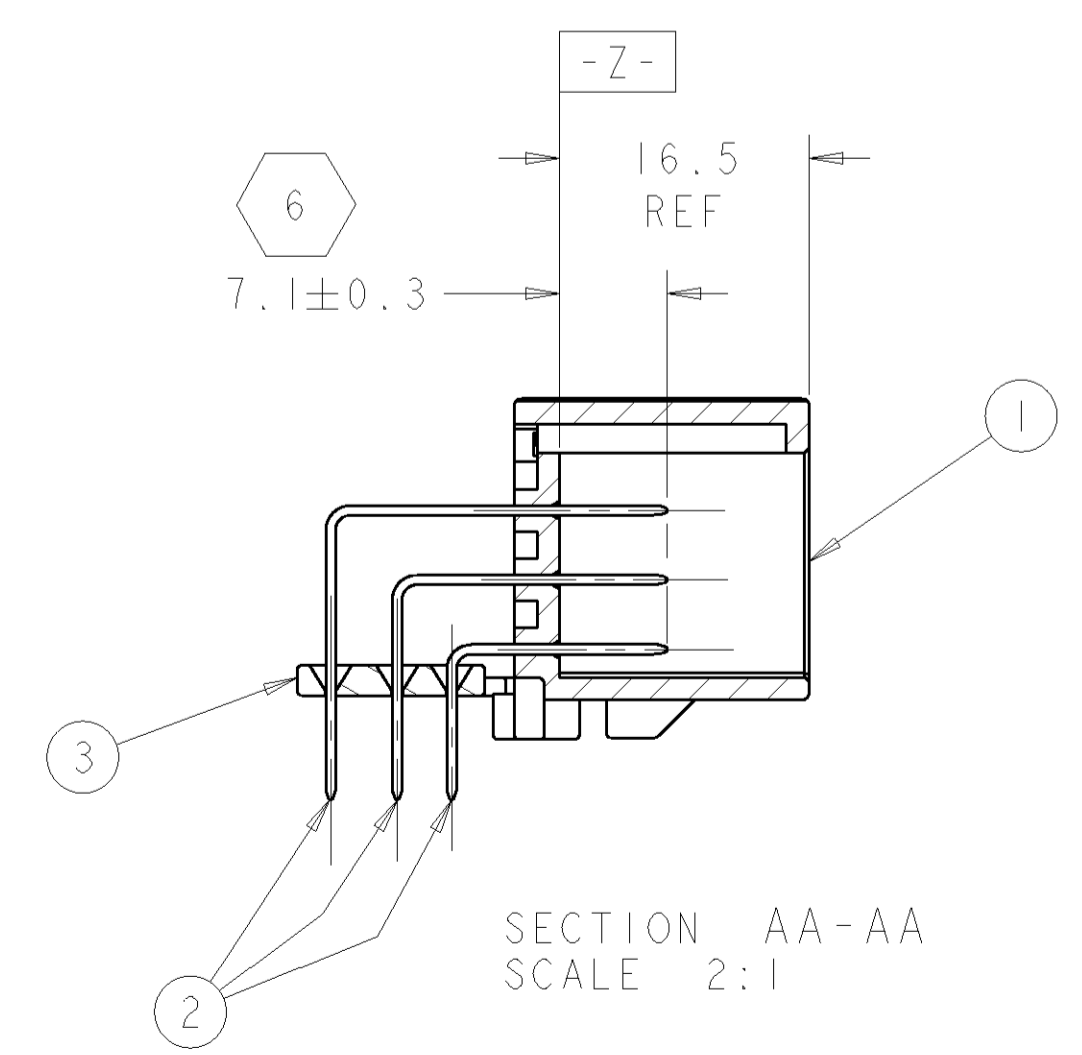
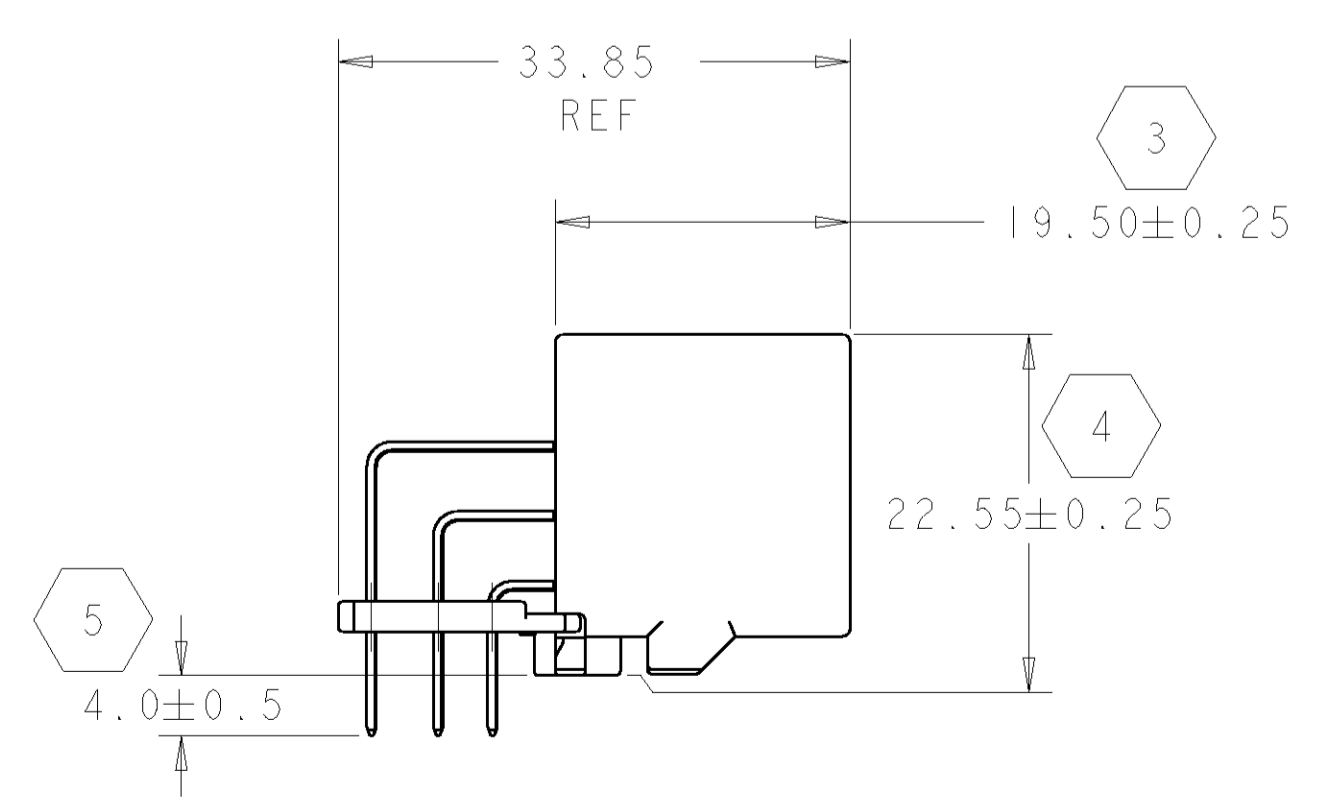


LOC	DIST	REVISIONS			
P	LTR	DESCRIPTION	DATE	DWN	APVD
0		PROPOSAL PER D02-012	07MAR2002	JM	GM
A		REV PER EC 0K80-0239-02	19AUG2002	RGV	GEN
B		REV PER EC 0K80-0320-02	19NOV2002	RGV	TJV
C		REV PER EC 0K80-0191-03	10JUN2003	DJA	TJV



- △ TO BE MEASURED AT 7.5mm FROM -Z-
- 2. POWER CIRCUITS 35 PLACES, SEE FIG. 1
- 3. FOR CIRCUIT NUMBERS SEE FIG. 1
- △ DATE CODE
- 5. TO BE MATED SMOOTHLY WITH PLUG HOUSINGS
 17 POS: 353027
 24 POS: 353029
 31 POS: 1318682, 353826
- 6. RECOMMENDED SCREW: PAN-HEADED, TYPE 2 TAPPING SCREW,
 3.0 DIA X 6.0 LONG MAX. PER JIS B1115, B1122
- 7. FASTENING TORQUE FOR SCREW 0.392Nm MAX
- △ TO BE DETERMINED BY CUSTOMER.
- △ IDENTIFICATION NUMBER "0000" LOCATED APPROXIMATELY AS SHOWN.

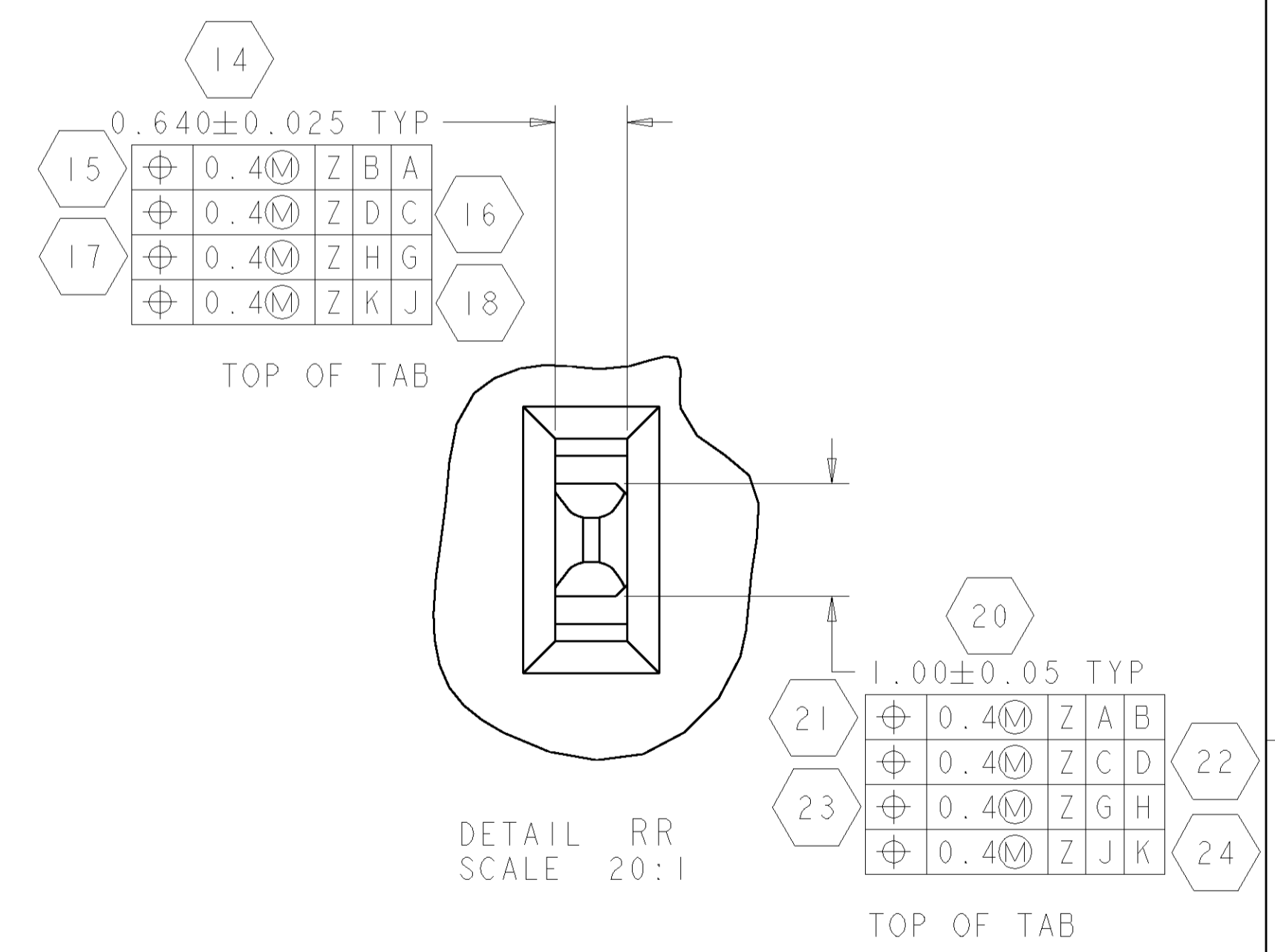
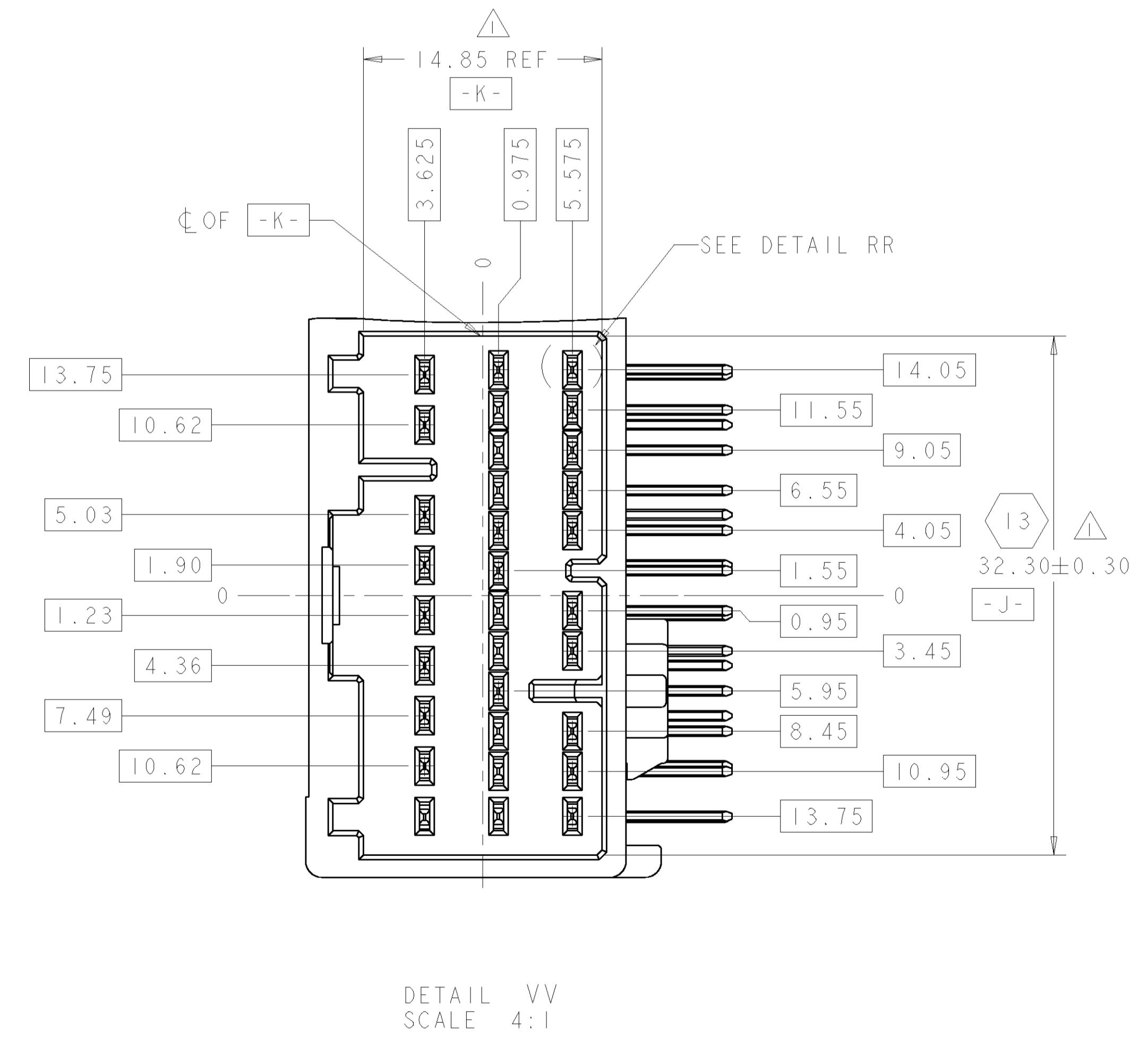
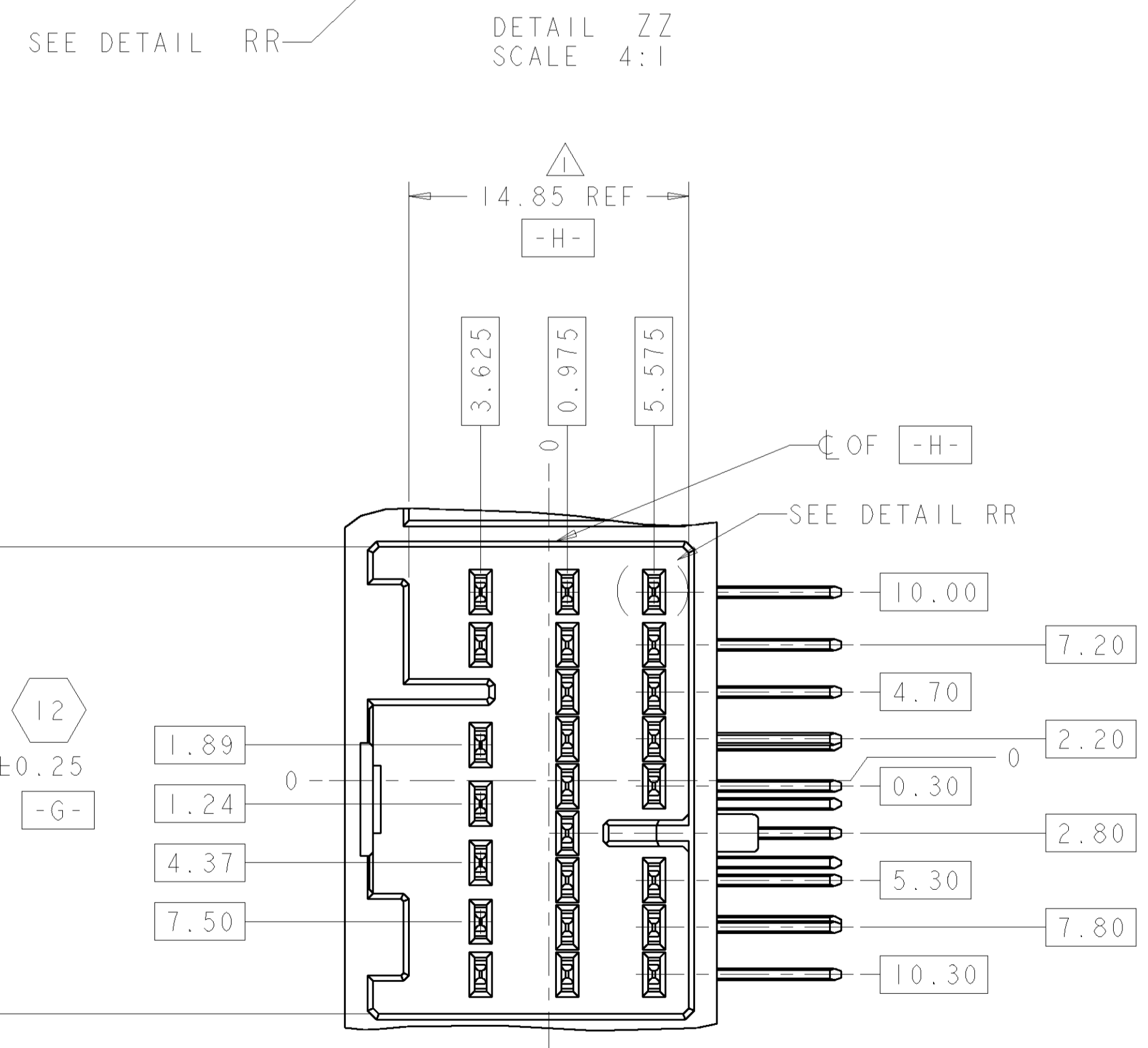
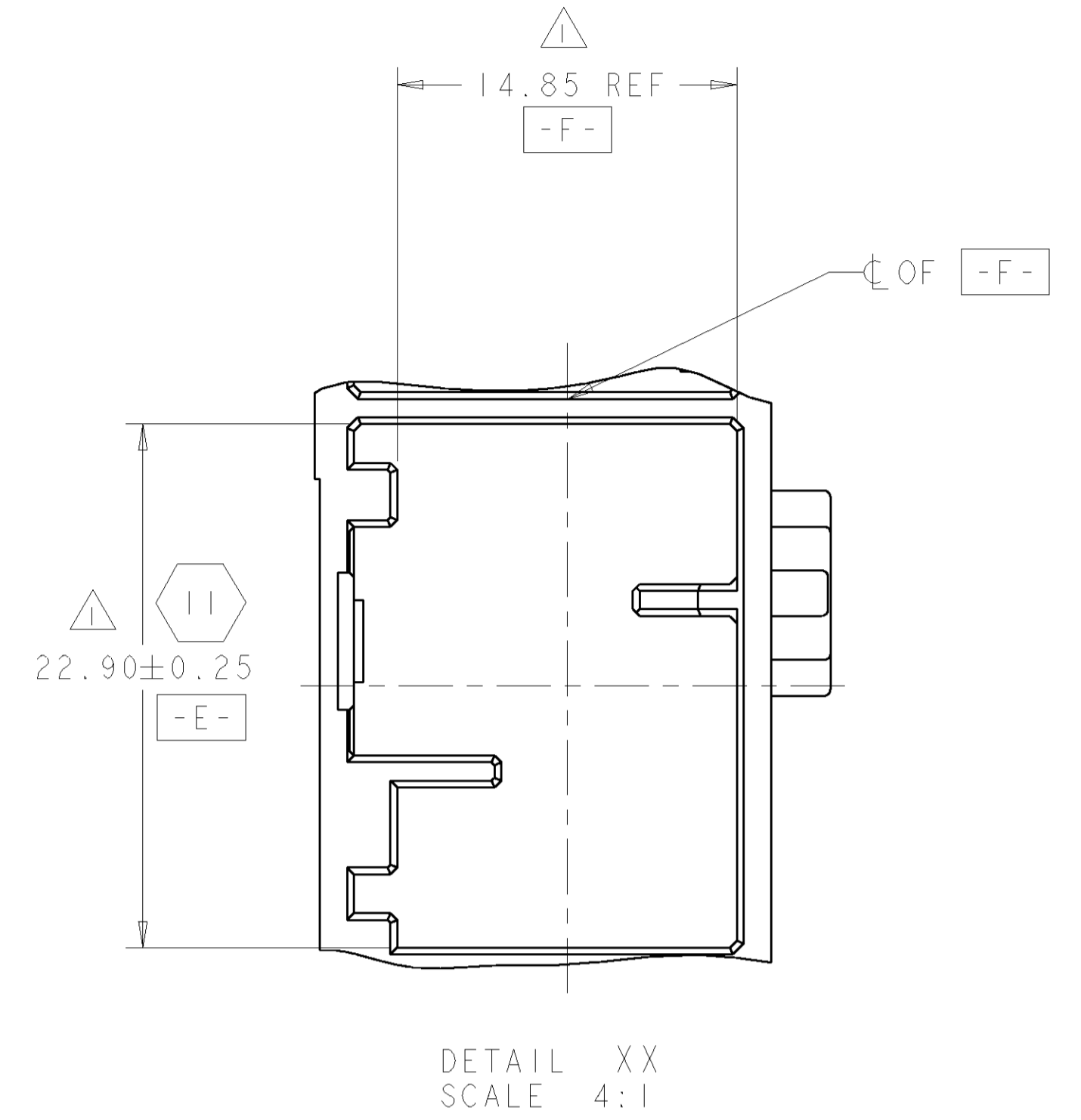
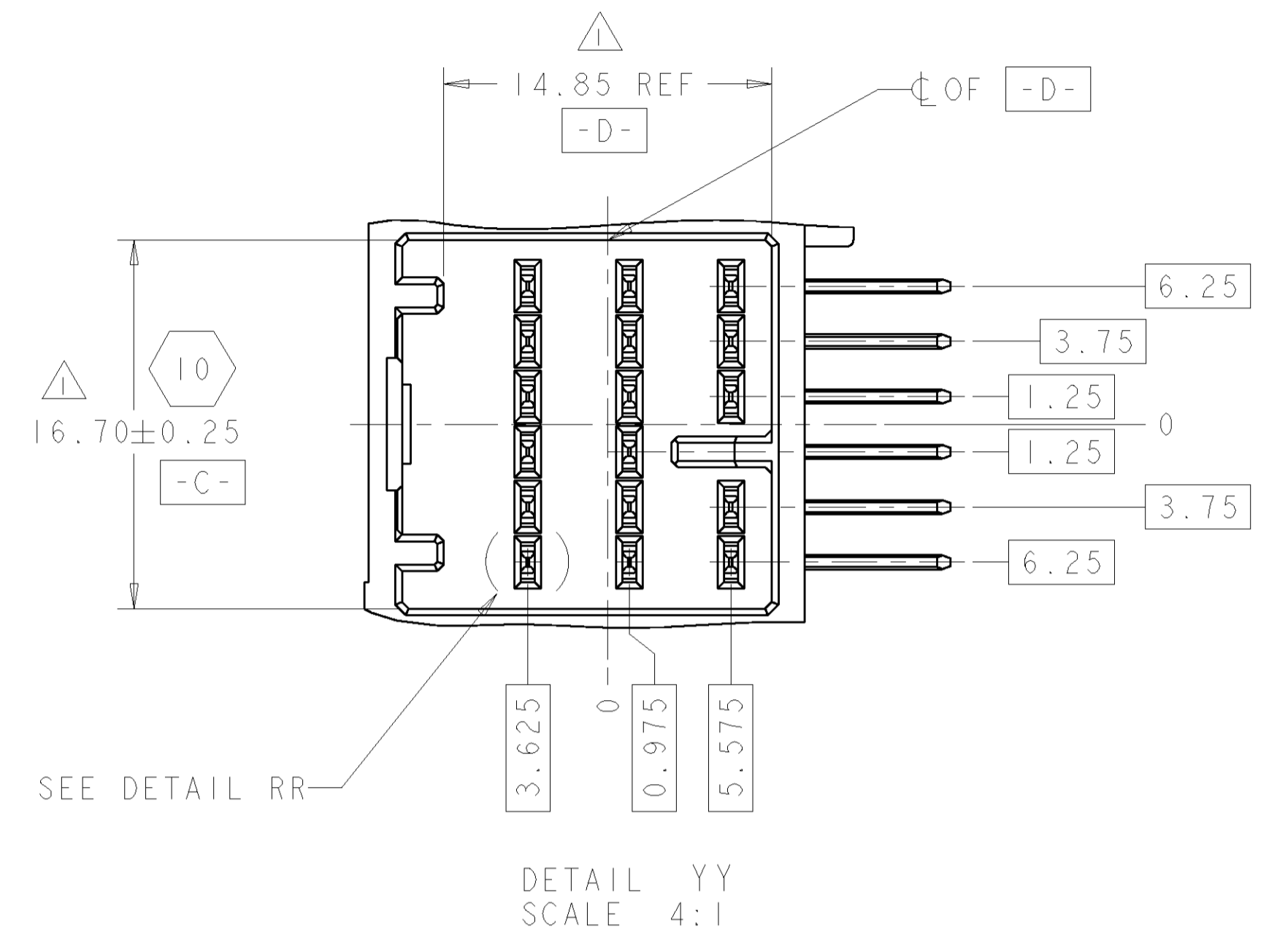
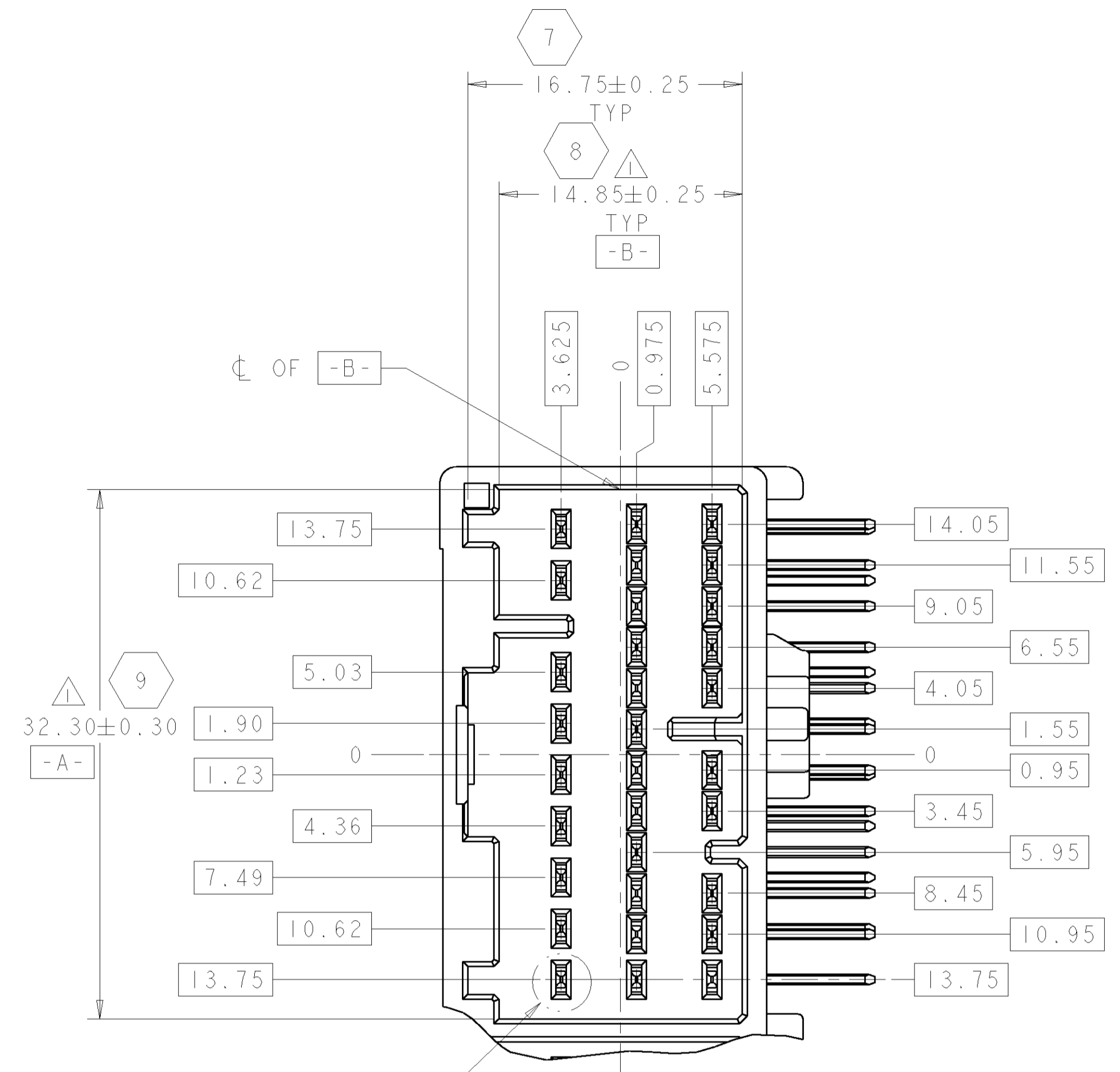


RETURNABLE (BULK-BIN)	1-1438316-1
EXPENDABLE (BOX)	1438316-1
PACKAGING	PART NUMBER

NATURAL	PBT	TINE PLATE	3
PRE-TIN	COPPER ALLOY	TAB CONTACT	2
NATURAL	PBT	CAP HOUSING	1
FINISH/COLOR	MATERIAL	NAME	ITEM NO

DIMENSIONS: mm TOLERANCES UNLESS OTHERWISE SPECIFIED: 0 PLC ±0.30 1 PLC ±0.30 2 PLC ±0.30 3 PLC ±0.30 4 PLC ±0.30 ANGLES ±°		DWN J MCNEAL 07MAR2002 CHK G MILLER 07MAR2002 APVD G MILLER 07MAR2002 PRODUCT SPEC 108-5673 APPLICATION SPEC 411-5931 WEIGHT 42.2g CUSTOMER DRAWING	AMP Tyco Electronics Harrisburg, PA 17105-3608 NAME HEADING ASY 103 POSN, HD111 MULTILOCK SIZE CAGE CODE DRAWING NO RESTRICTED TO A1 00779 C=1438316 - SCALE 2:1 SHEET 1 OF 3 REV C
--	--	---	--

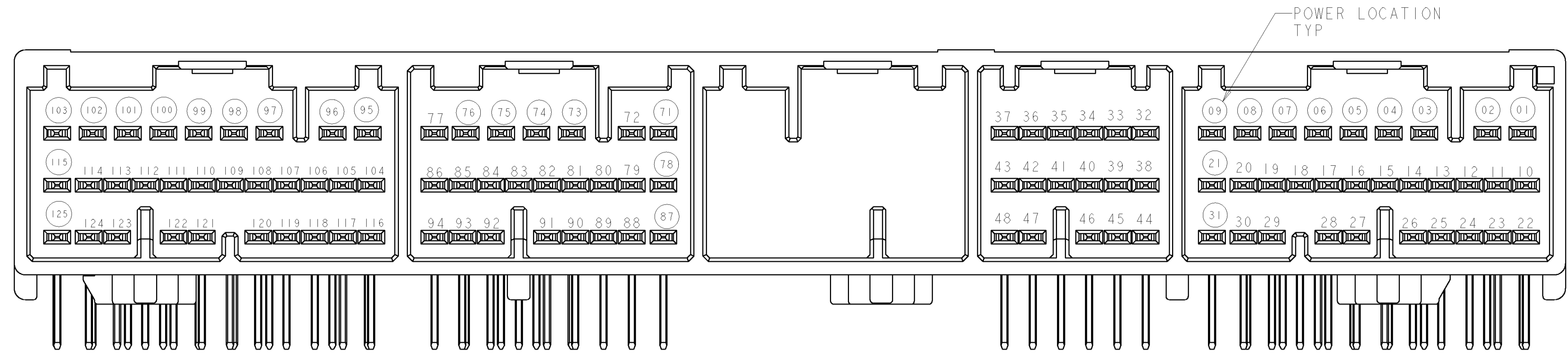
LOC		DIST		REVISIONS			
P	LTR	DESCRIPTION	DATE	DWN	APPD		
-	-	SEE SHEET 1	-	-	-		



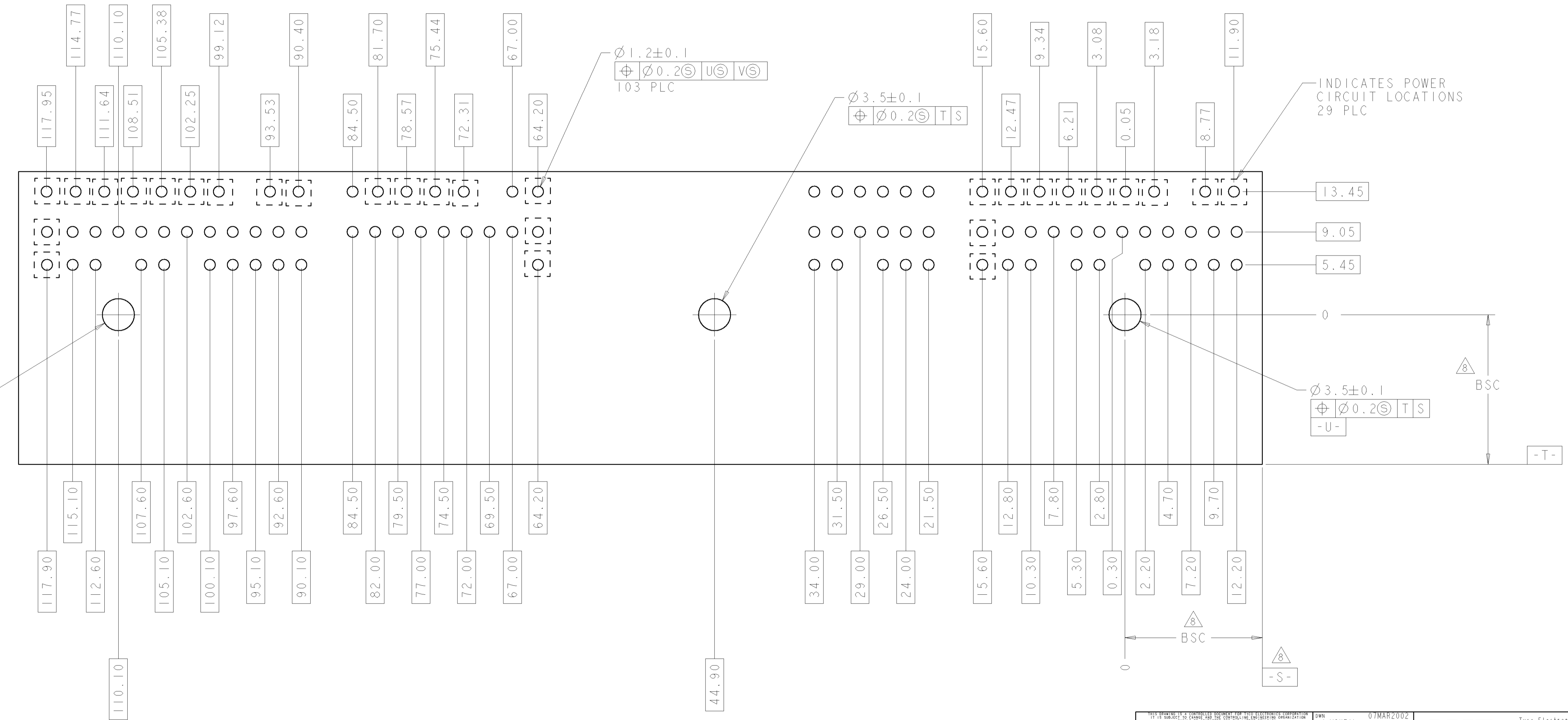
DIMENSIONS: mm 		TOLERANCES UNLESS OTHERWISE SPECIFIED: 0 PLC ±0.30 1 PLC ±0.30 2 PLC ±0.30 3 PLC ±0.30 4 PLC ±0.30 ANGLES ±°		DWN J MCNEAL 07MAR2002 CHK G MILLER 07MAR2002 APPD G MILLER 07MAR2002		AMP Tyco Electronics Harrisburg, PA 17105-3608	
MATERIAL: - FINISH: -		WEIGHT: - CUSTOMER DRAWING: -		NAME: 103 POSN, HDIII MULTIBLOCK PRODUCT SPEC: - APPLICATION SPEC: -		SIZE: A1 CAGE CODE: 00779 DRAWING NO: C-1438316 RESTRICTED TO: -	
SCALE: 2:1				SHEET: 2 OF 3		REV: C	

LOC	QTY	REV	DATE	BY	APPD
FX	00				

REVISIONS			
NO.	DESCRIPTION	DATE	BY
1	SEE SHEET 1		



SCALE 4:1



PC BOARD LAYOUT
 RECOMMENDED THICKNESS: 1.57 MM
 COMPONENT SIDE SHOWN

<small>THIS DRAWING IS UNPUBLISHED. RELEASED FOR PUBLICATION. ALL RIGHTS RESERVED. © 2002 T100 ELECTRONICS CORPORATION.</small>		DWN J MCNEAL 07MAR2002 CHK G MILLER 07MAR2002 APPD G MILLER 07MAR2002	AMP Tyco Electronics Harrisburg, PA 17105-3608
DIMENSIONS: mm TOLERANCES UNLESS OTHERWISE SPECIFIED: 0 PLC ± 0.30 1 PLC ± 0.30 2 PLC ± 0.30 3 PLC ± 0.30 4 PLC ± 0.30 ANGLES ± 0.1 FINISH -		NAME HEATER ASY 103 POSN, HD111 MULTILOCK PRODUCT SPEC - APPLICATION SPEC - WEIGHT - CUSTOMER DRAWING	SIZE CAGE CODE DRAWING NO RESTRICTED TO A 00779 C-1438316 - SCALE 2:1 SHEET 3 OF 3 REV C