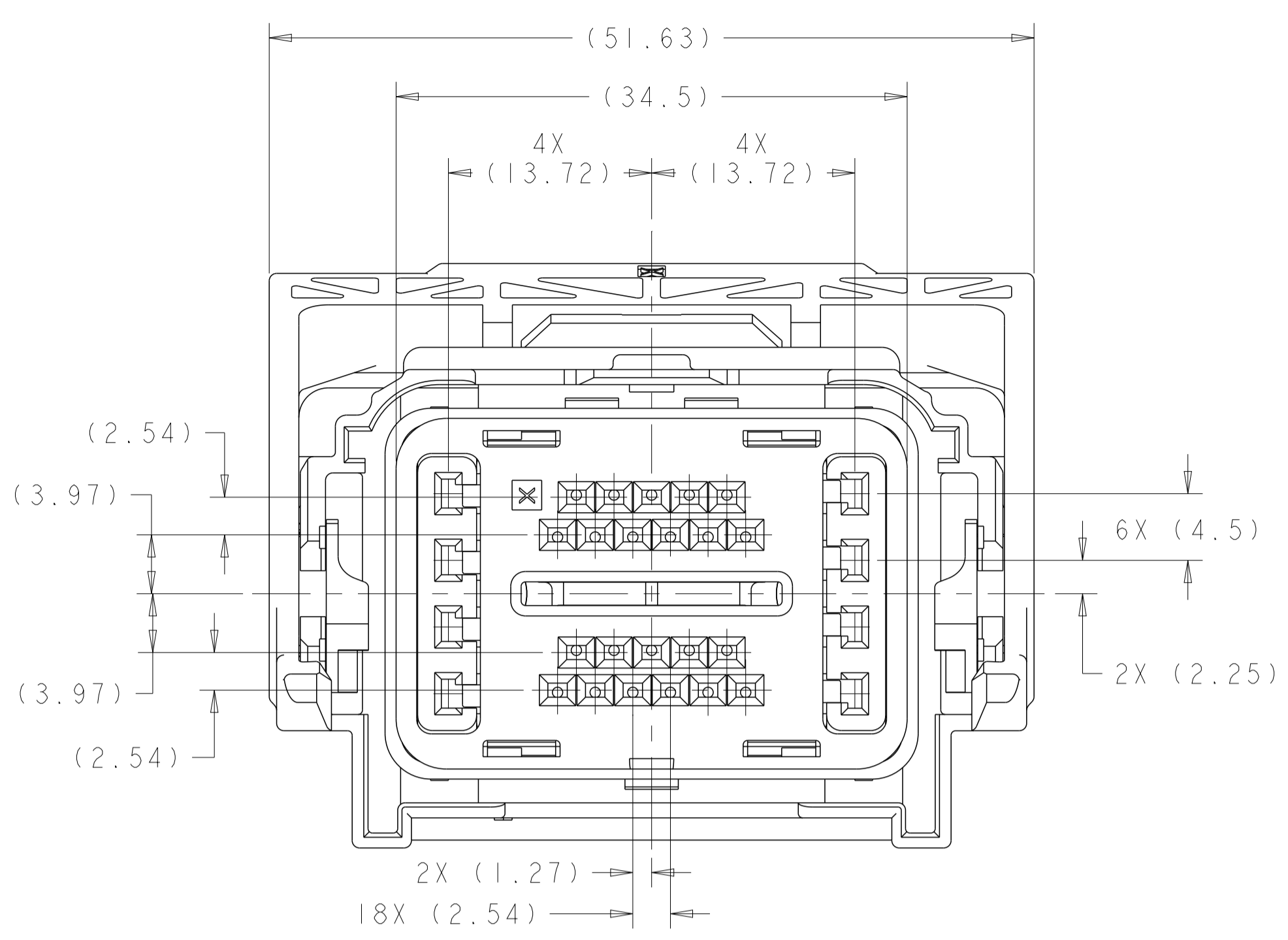
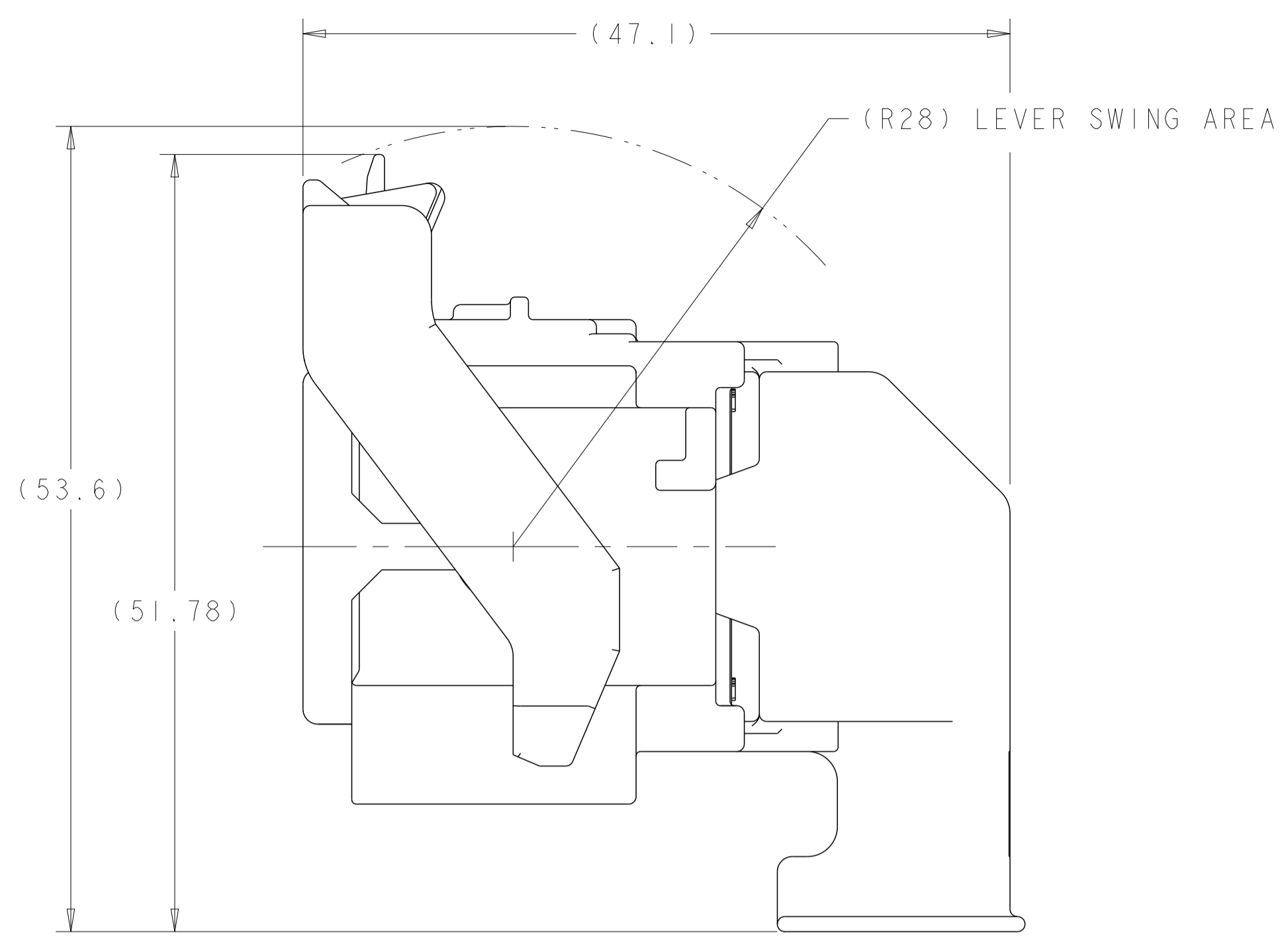


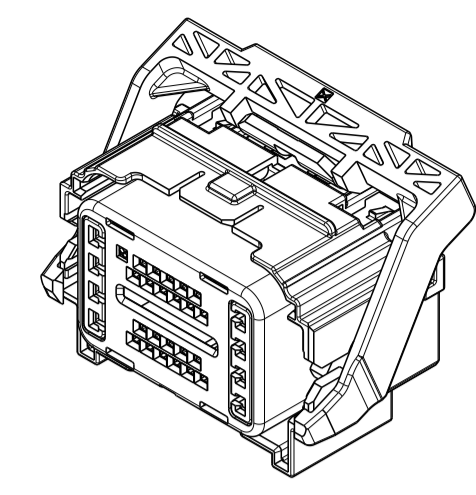
REVISIONS				
P	LTN	DESCRIPTION	DATE	APVD
H8		REVISED PER ECO-15-011500	07AUG2015	DLD DCM
H9		REVISED PER ECO-18-005723	16APR2018	JMS CM
H10		REVISED PER ECO-20-012415	10SEP2020	AP CM
H11		REV PER ECN-22-186795	19DEC2022	SMR DM



KEYING OPTION "A" \triangle
 1438083-1

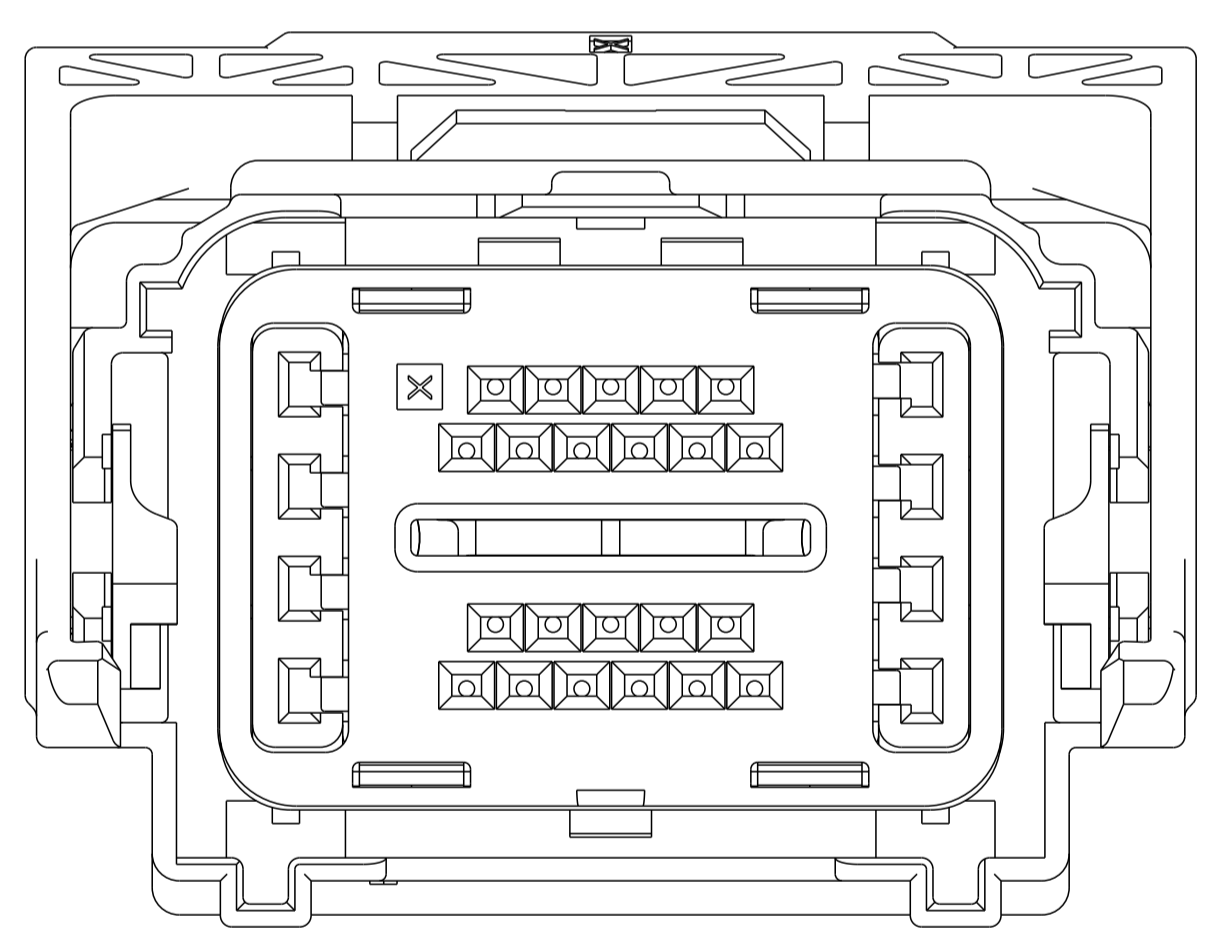


SHOWN WITH CAM LEVER AND SPACER
 IN LOADED POSITION WITH
 OPTIONAL WIRESHIELD



SCALE 1:1

- \triangle MATERIAL:
 HARNESS - 35% GLASS FILLED PA66, BLACK
 ALT MAT'L - 30% GLASS FILLED sPS, BLACK
- SPACER - 40% GLASS FILLED PPS, RED
 ALT MAT'L - 30% GLASS FILLED sPS, RED
- COVER - 35% GLASS FILLED PA66, BLACK
 ALT MAT'L - 30% GLASS FILLED LCP, BLACK
- CAM LEVER - 35% GLASS FILLED NYLON, GRAY
 GROMMET - SILICONE, BROWN
 PERIMETER SEAL - SILICONE, GREEN
- 2. CAM LEVER AND SPACER ARE SHIPPED IN PRE-LATCH POSITION.
- \triangle SEE PINOUT CHART FOR CLOSED CIRCUIT CONFIGURATIONS.
- \triangle CAVITIES WITH A NUMERIC SYMBOL INDICATES CLOSED TERMINAL LOCATIONS.
 BLANK CAVITIES INDICATE OPEN TERMINAL HOLE LOCATIONS.
- \triangle OBSOLETE PART

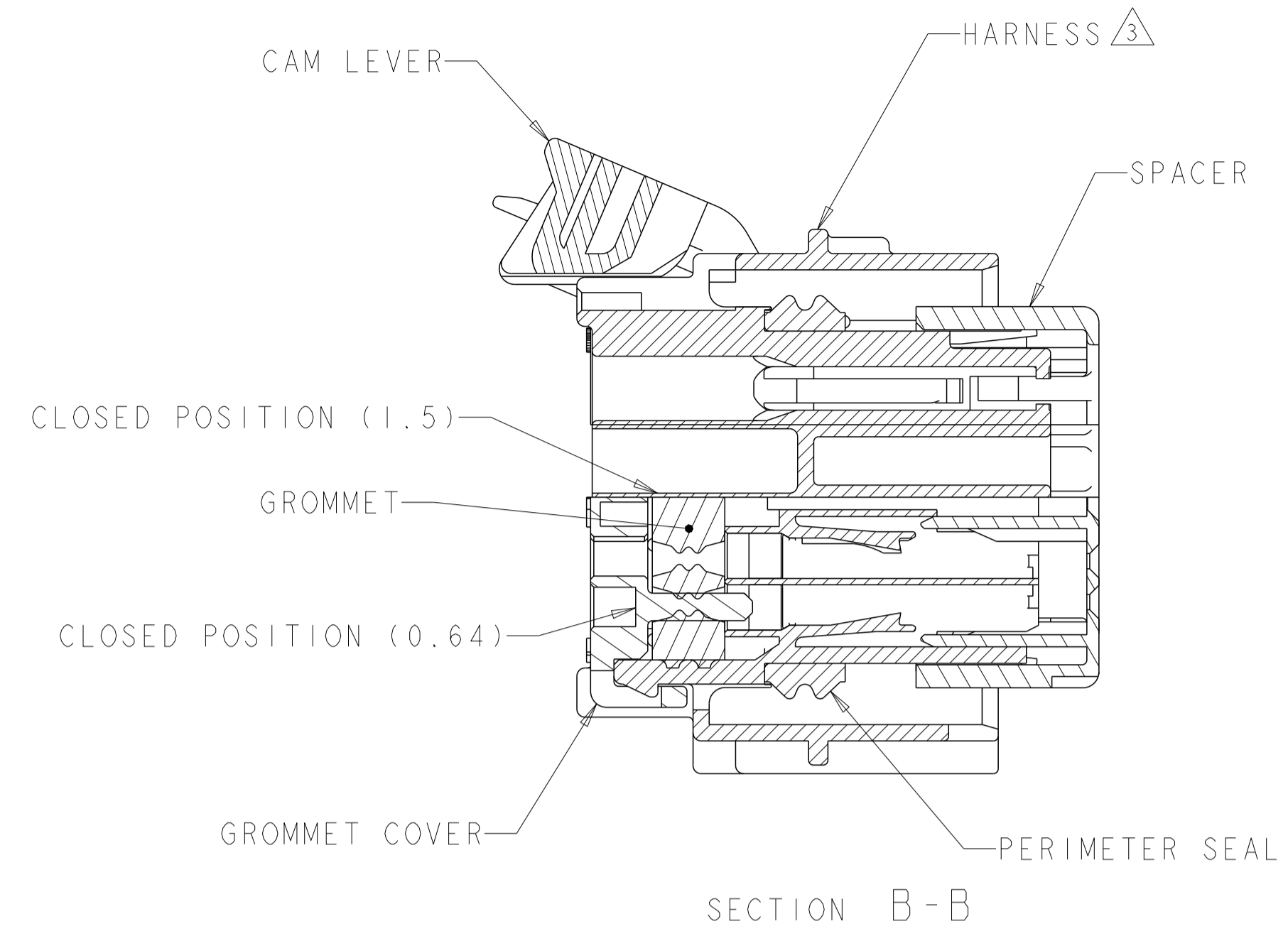
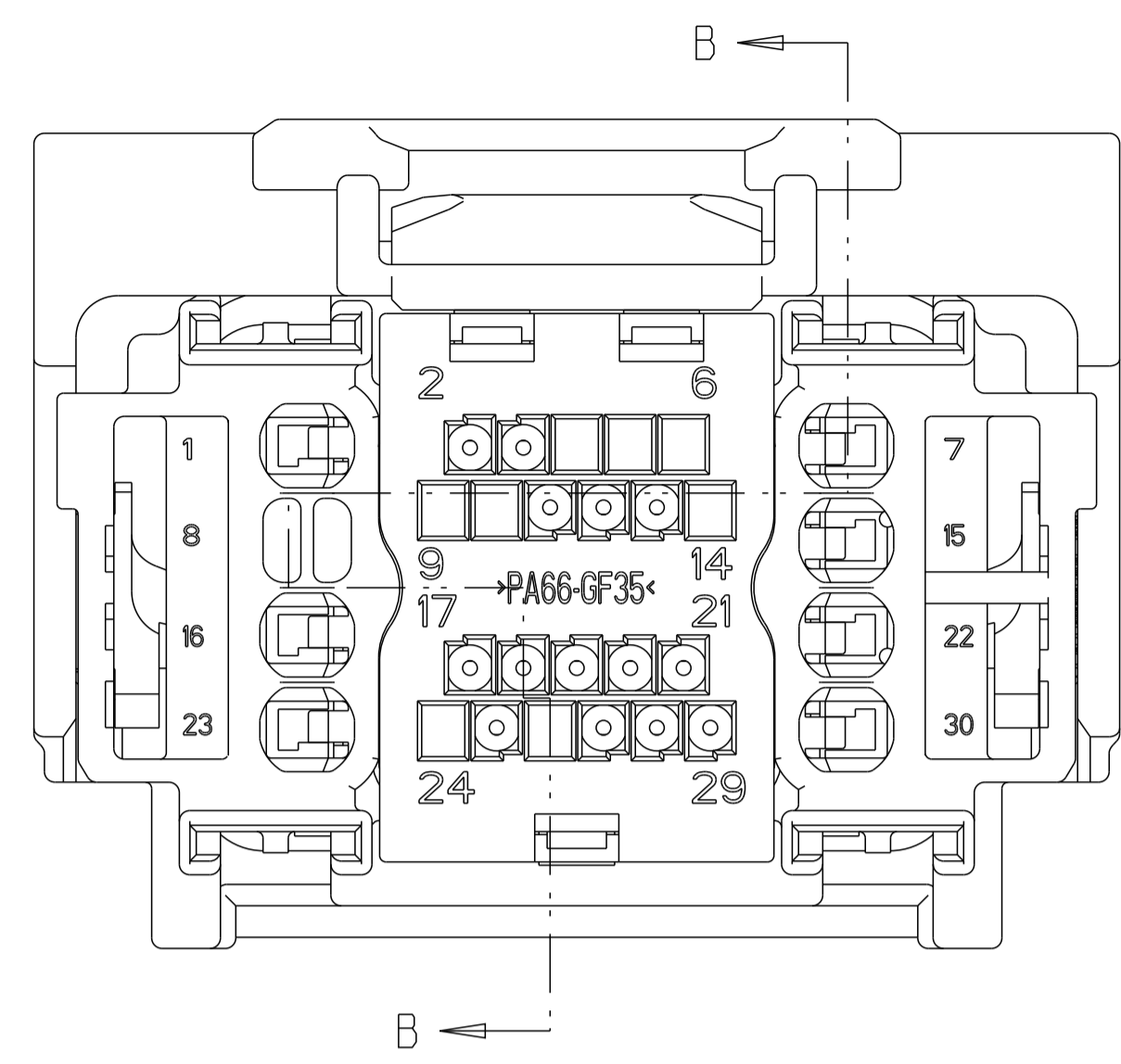


KEYING OPTION "B" \triangle
 2272926-1

CHART FOR CLOSED CIRCUIT CONFIGURATIONS
 SHEET 2

THIS DRAWING IS A CONTROLLED DOCUMENT.		OWN R. VESTAL	15OCT2003		TE Connectivity
DIMENSIONS:		CHK D. STRAUSSER	15OCT2003		
mm	TOLERANCES UNLESS OTHERWISE SPECIFIED:	APVD D. STRAUSSER	15OCT2003	NAME PCM HARNESS ASSEMBLY, 30-WAY CONNECTOR	
	0 PLC ±	PRODUCT SPEC		SIZE	CAGE CODE
	1 PLC ±0.3	APPLICATION SPEC		A1	00779
	2 PLC ±0.10			C=1438083	
	3 PLC ±	WEIGHT		SCALE	3:1
	4 PLC ±	CUSTOMER DRAWING		SHEET	1 OF 2
	ANGLES ±			REV	H11
	FINISH ±				

REVISIONS				
P.	LTN	DESCRIPTION	DATE	OWN APVD
-	-	SEE SHEET 1	-	-



TERMINAL HOLE POSITION																														PART NUMBER	FORD PART NUMBER		
30	29	28	27	26	25	24	23	22	21	20	19	18	17	16	15	14	13	12	11	10	9	8	7	6	5	4	3	2	1				
										20																					2272926-7	GU5T-14A464-XA-006	
										20																						2272926-6	GU5T-14A464-XA-005
										20																						2272926-5	GU5T-14A464-XA-004
										20																						2272926-4	GU5T-14A464-XA-003
										20																						2272926-3	GU5T-14A464-XA-002
										20																						2272926-2	GU5T-14A464-XA-001
										20																						2272926-1	GU5T-14A464-XA-000

PIN-OUT CHART KEYING OPTION "B" ⁴

TERMINAL HOLE POSITION																														PART NUMBER	FORD PART NUMBER		
30	29	28	27	26	25	24	23	22	21	20	19	18	17	16	15	14	13	12	11	10	9	8	7	6	5	4	3	2	1				
										20																						4-1438083-8	2LIT-14A464-UC-044
										20																						4-1438083-7	2LIT-14A464-UC-043
										20																						4-1438083-6	2LIT-14A464-UC-042
										20																						4-1438083-5	2LIT-14A464-UC-041
										20																						4-1438083-4	2LIT-14A464-UC-040
										20																						4-1438083-3	2LIT-14A464-UC-039
										20																						4-1438083-2	2LIT-14A464-UC-038
										20																						4-1438083-1	2LIT-14A464-UC-037
										20																						4-1438083-0	2LIT-14A464-UC-036
										20																						3-1438083-9	2LIT-14A464-UC-035
										20																						3-1438083-8	2LIT-14A464-UC-034
										20																						3-1438083-7	2LIT-14A464-UC-033
										20																						3-1438083-6	2LIT-14A464-UC-032
										20																						3-1438083-5	2LIT-14A464-UC-031
										20																						3-1438083-4	2LIT-14A464-UC-030
										20																						3-1438083-3	2LIT-14A464-UC-029
										20																						3-1438083-2	2LIT-14A464-UC-028
										20																						3-1438083-1	2LIT-14A464-UC-027
										20																						3-1438083-0	2LIT-14A464-UC-026
										20																						2-1438083-9	2LIT-14A464-UC-025
										20																						2-1438083-8	2LIT-14A464-UC-024
										20																						2-1438083-7	2LIT-14A464-UC-023
										20																						2-1438083-6	2LIT-14A464-UC-022
										20																						2-1438083-5	2LIT-14A464-UC-021
										20																						2-1438083-4	2LIT-14A464-UC-019
										20																						2-1438083-3	2LIT-14A464-UC-018
										20																						2-1438083-2	2LIT-14A464-UC-017
										20																						2-1438083-1	2LIT-14A464-UC-016
										20																						2-1438083-0	2LIT-14A464-UC-015
										20																						1-1438083-9	2LIT-14A464-UC-014
										20																						1-1438083-8	2LIT-14A464-UC-013
										20																						1-1438083-7	2LIT-14A464-UC-012
										20																						1-1438083-6	2LIT-14A464-UC-011
										20																						1-1438083-5	2LIT-14A464-UC-010
										20																						1-1438083-4	2LIT-14A464-UC-009
										20																						1-1438083-3	2LIT-14A464-UC-008
										20																						1-1438083-2	2LIT-14A464-UC-007
										20																						1-1438083-1	2LIT-14A464-UC-006
										20																						1438083-9	2LIT-14A464-UC-005
										20																						1438083-8	2LIT-14A464-UC-004
										20																						1438083-7	2LIT-14A464-UC-003
										20																						1438083-6	2LIT-14A464-UC-002
										20																						1438083-5	2LIT-14A464-UC-001
										20																						1438083-4	2LIT-14A464-UC-000

PIN-OUT CHART KEYING OPTION "A" ⁴

THIS DRAWING IS A CONTROLLED DOCUMENT.		OWN R. VESTAL 15OCT2003	
DIMENSIONS:		CHK D. STRAUSSER 15OCT2003	
TOLERANCES UNLESS OTHERWISE SPECIFIED:		APVD D. STRAUSSER 15OCT2003	NAME
mm		PRODUCT SPEC	PCM
0 PLC ±0.3 1 PLC ±0.10 2 PLC ±0.10 3 PLC ±0.10 4 PLC ±0.10 ANGLES ±0.10 FINISH ±0.10		APPLICATION SPEC	HARNESS ASSEMBLY, 30-WAY CONNECTOR
MATERIAL		WEIGHT	SIZE CAGE CODE DRAWING NO RESTRICTED TO
		CUSTOMER DRAWING	A100779C=1438083
		SCALE 3:1	SHEET 2 OF 2