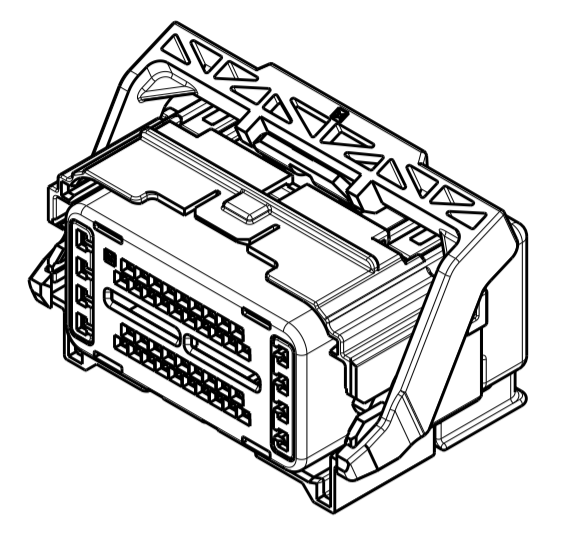
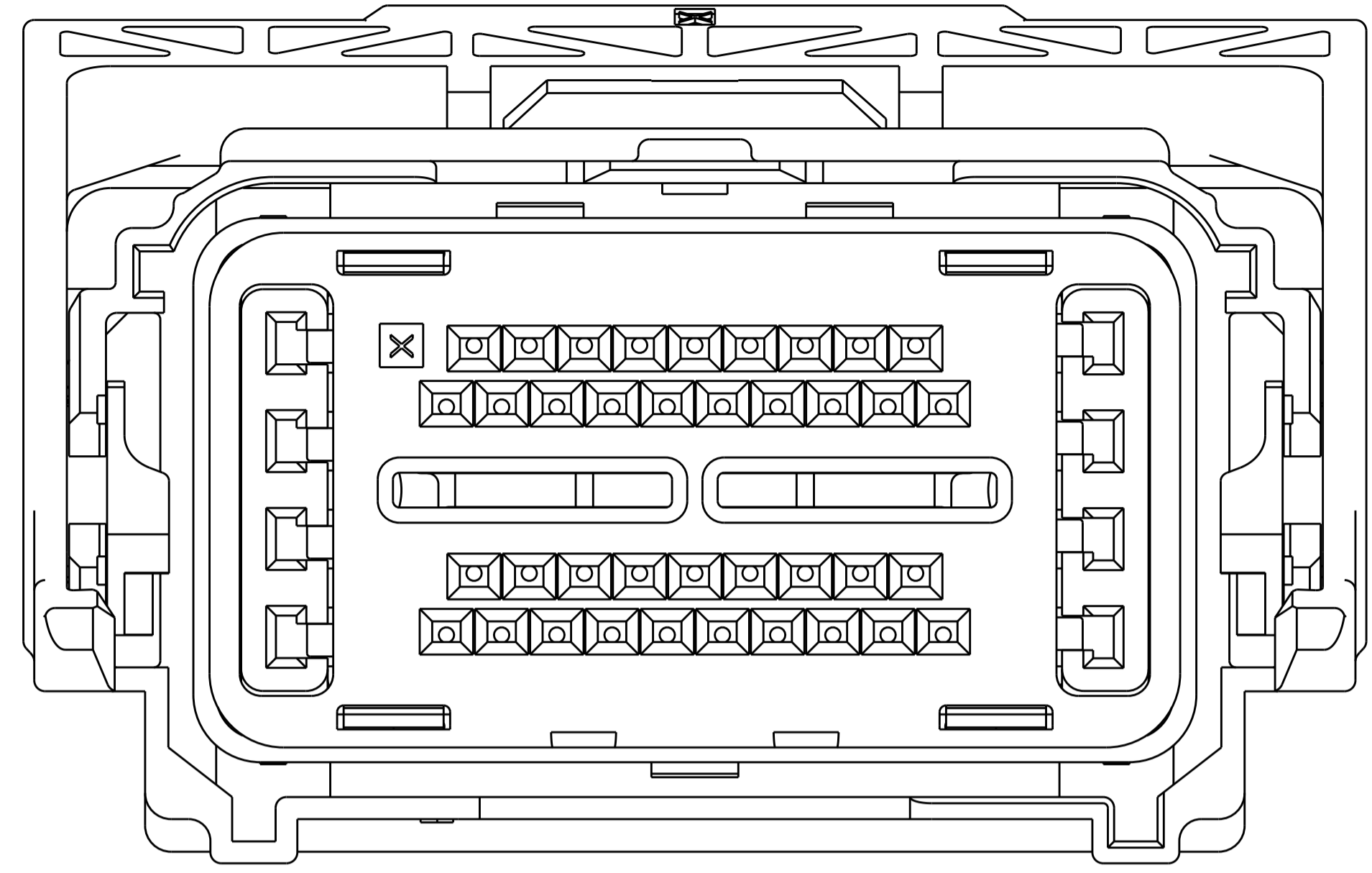
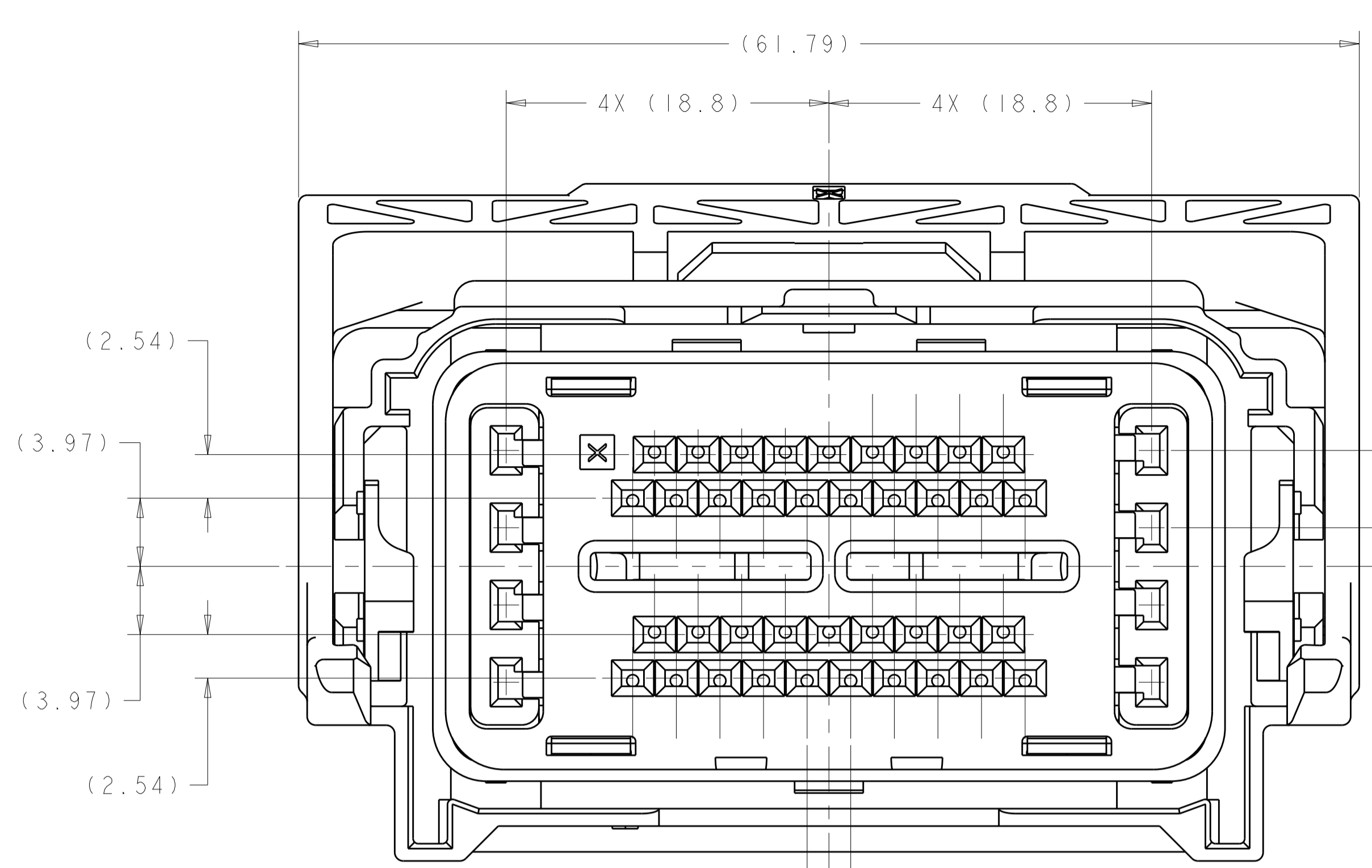
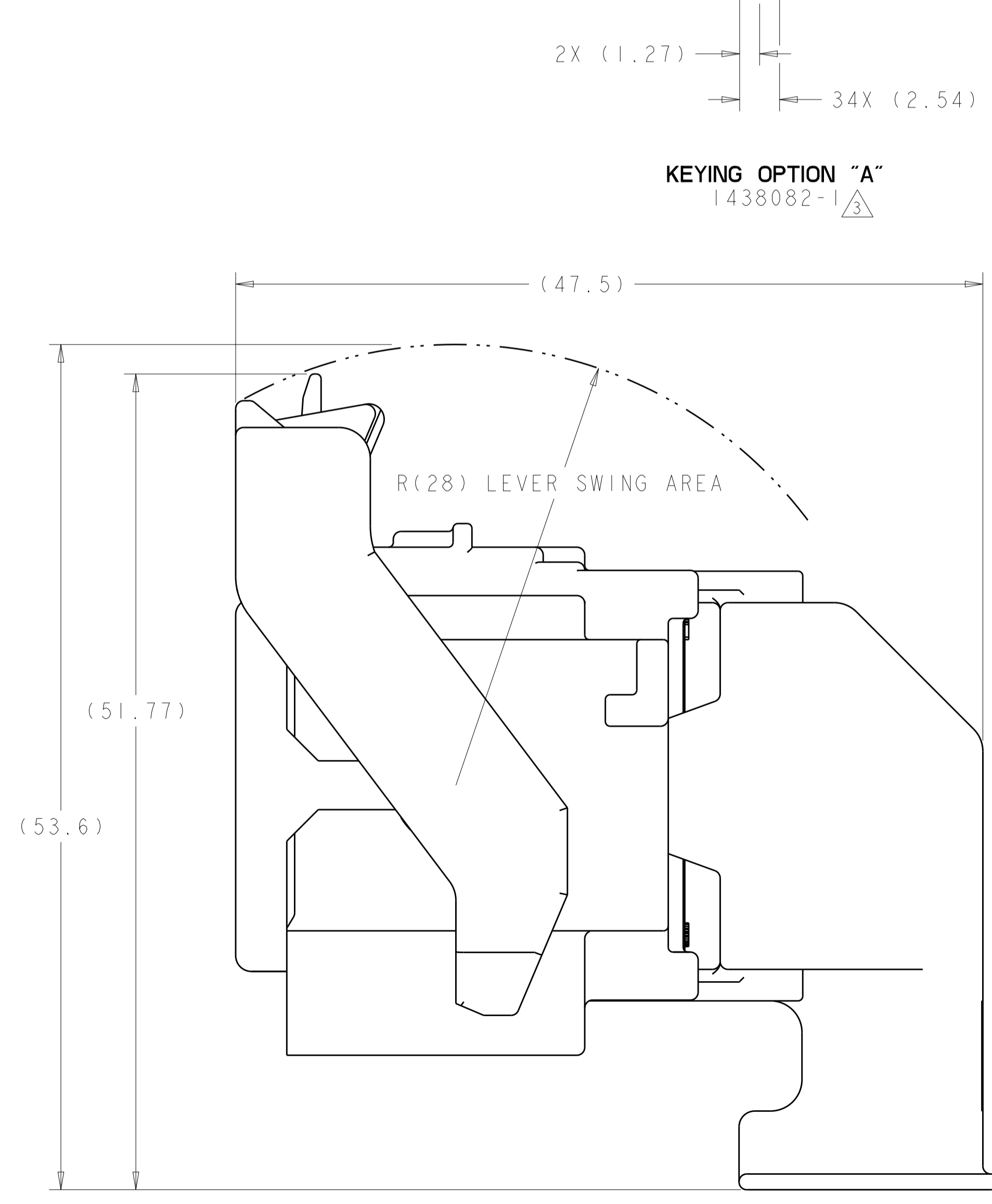


REVISIONS				
P.	LTM	DESCRIPTION	DATE	OWN APVD
S10		REVISED PER ECO-09-009758	23APR2009	DLD DCM
S11		REVISED PER ECO-09-028550	29DEC2009	DLD DCM
S12		REVISED PER ECO-20-012739	18SEP2020	AP CM

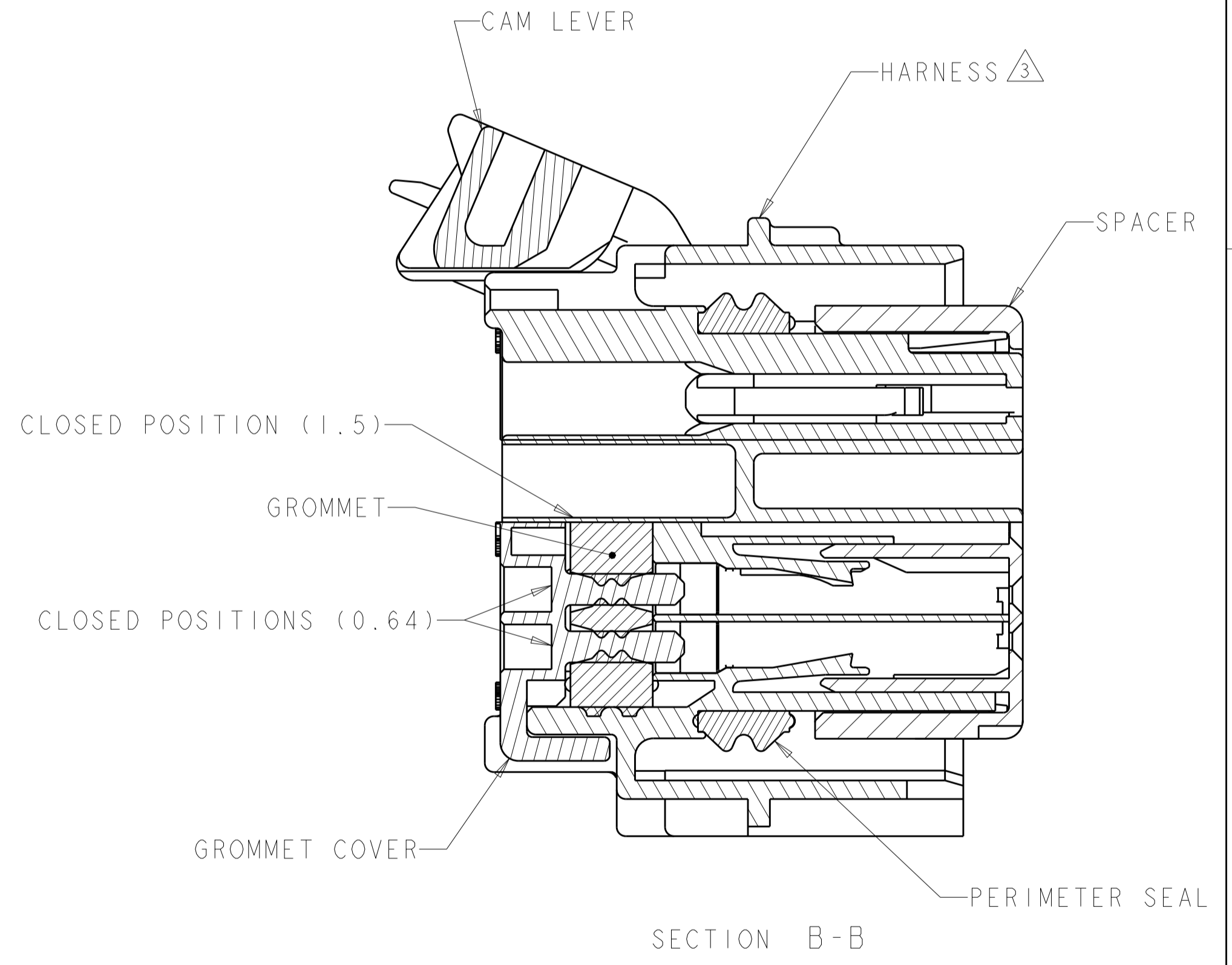
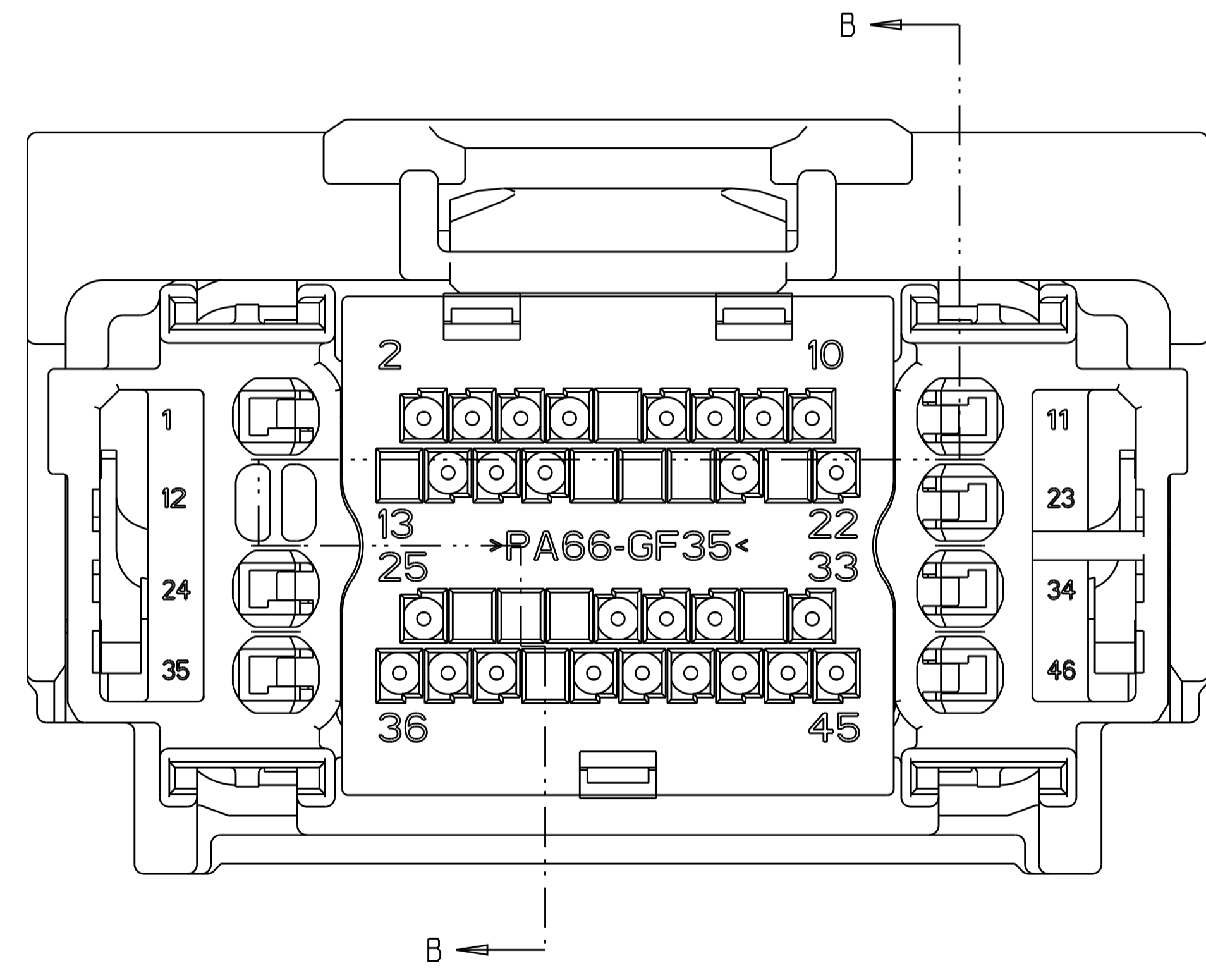


SCALE 1:1

KEYING OPTION "B"  
1438082-2



SHOWN WITH CAM LEVER AND SPACER  
IN LOADED POSITION WITH  
OPTIONAL WIRESHIELD



- △ MATERIAL:  
 HARNESS - 35% GLASS FILLED PA66, BLACK  
 ALT MAT'L: HARNESS - 30% GLASS FILLED sPS, BLACK  
 SPACER - 40% GLASS FILLED PPS+PA66, RED  
 ALT MAT'L: 30% GLASS FILLED sPS, RED  
 ALT MAT'L: 35% GLASS FILLED PA66, RED  
 COVER - 35% GLASS FILLED PA66, BLACK  
 ALT MAT'L: COVER - 30% GLASS FILLED LCP, BLACK  
 CAM LEVER - 35% GLASS FILLED NYLON, GRAY  
 GROMMET - SILICONE, BROWN  
 PERIMETER SEAL - SILICONE, GREEN

2. CAM LEVER AND SPACER ARE SHIPPED IN PRE-LATCH POSITION.  
 △ SEE PINOUT CHART ON SHEETS 2, 3 AND 4 FOR CLOSED CIRCUIT CONFIGURATIONS.  
 △ CAVITIES WITH A NUMERIC SYMBOL INDICATES CLOSED TERMINAL LOCATIONS.  
 BLANK CAVITIES INDICATE OPEN TERMINAL HOLE LOCATIONS.

△ SEE PINOUT CHARTS  
 PART NUMBER

THIS DRAWING IS A CONTROLLED DOCUMENT.		OWN: R. VESTAL 01AUG2003	
DIMENSIONS: mm		CHK: D. STRAUSSER 01AUG2003	
TOLERANCES UNLESS OTHERWISE SPECIFIED:		APVD: D. STRAUSSER 01AUG2003	NAME: 46 WAY PCM CONNECTOR HARNESS ASSEMBLY
0 PLC ±	1 PLC ±0.3	PRODUCT SPEC	SIZE: CAGE CODE DRAWING NO
2 PLC ±0.10	3 PLC ±	APPLICATION SPEC	RESTRICTED TO
4 PLC ±	ANGLES ±*	WEIGHT	A100779C=1438082
MATERIAL: SEE TABLE	FINISH: SEE TABLE	CUSTOMER DRAWING	SCALE: 4:1 SHEET 1 OF 5







