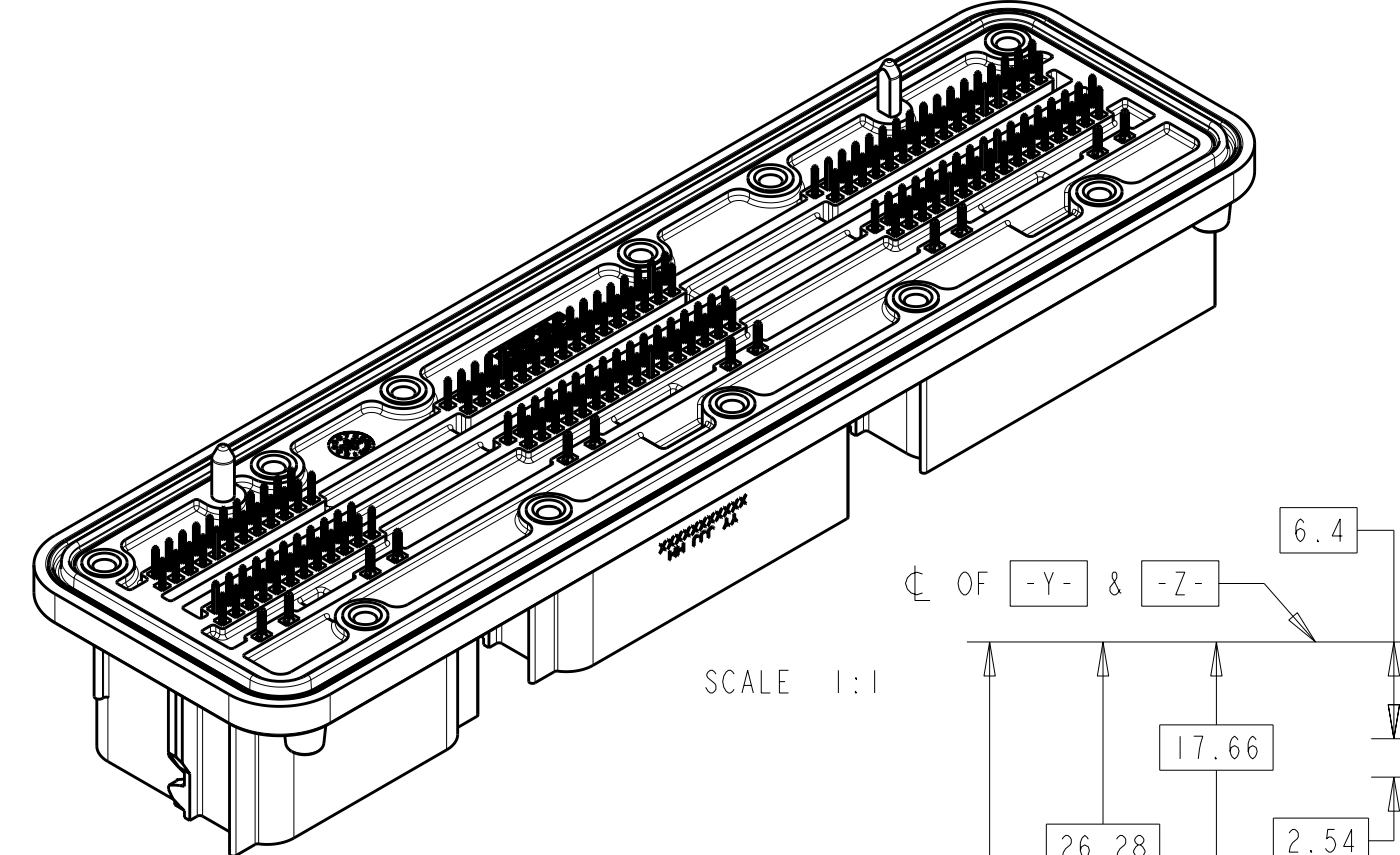
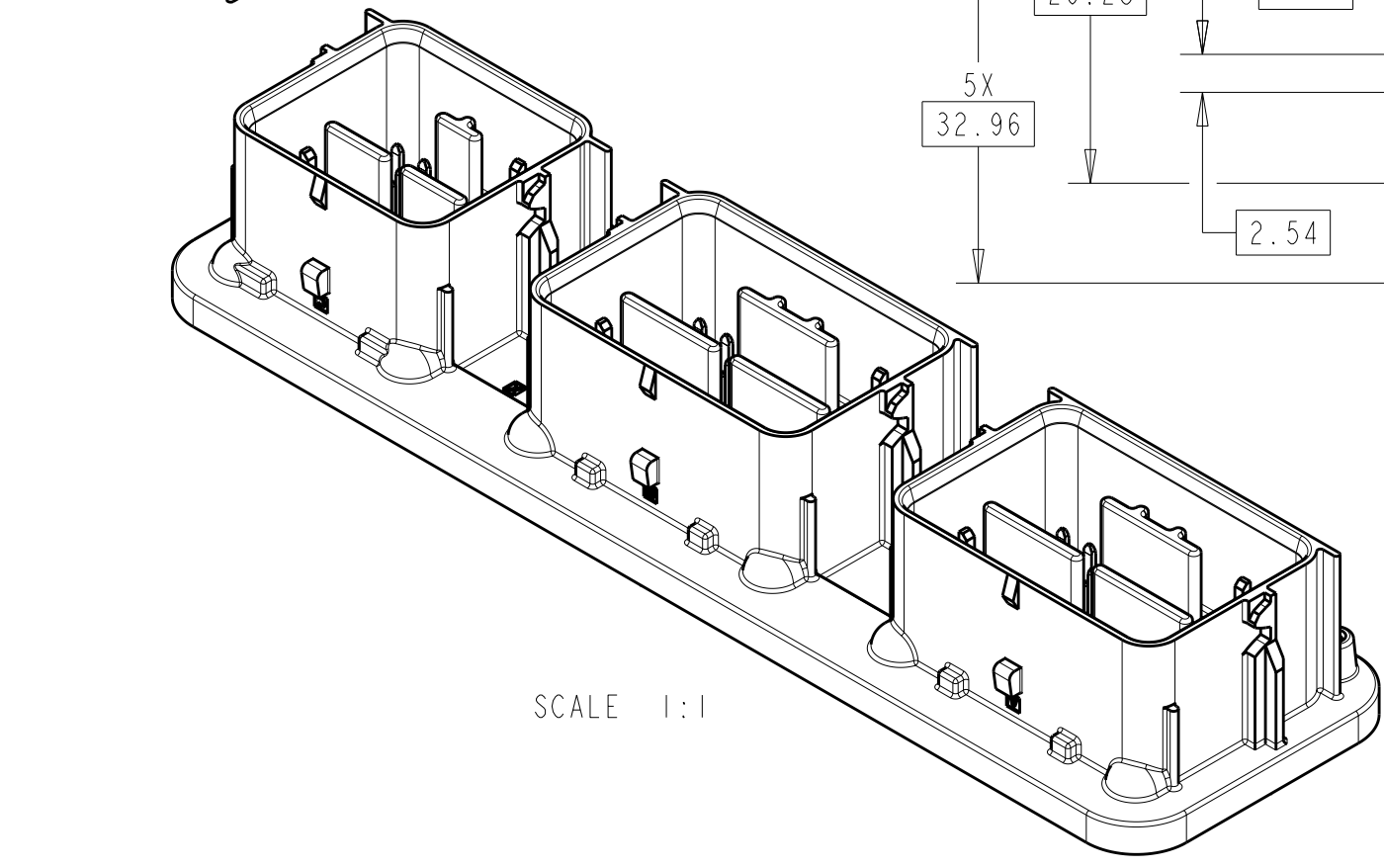


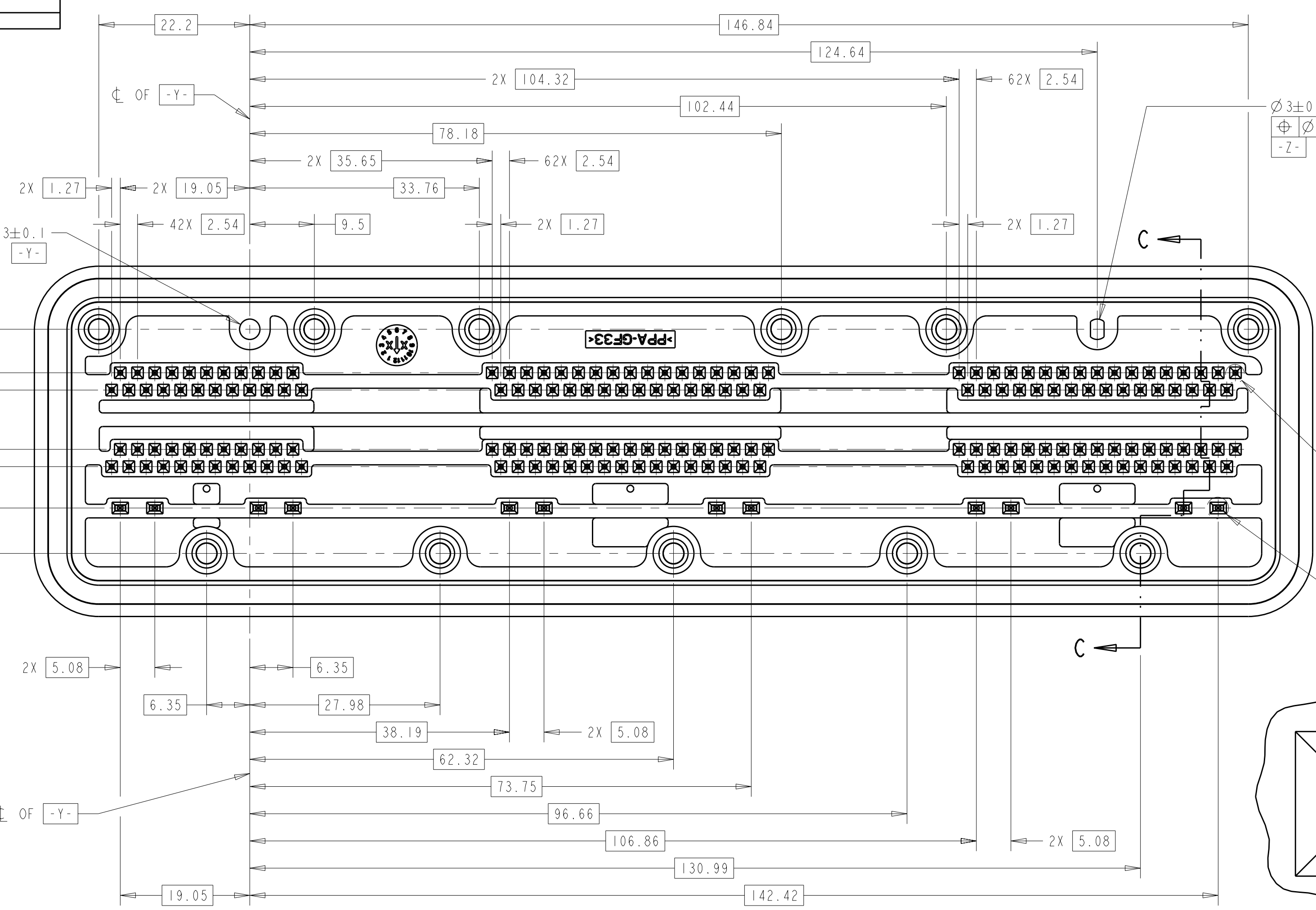
LOC	DIST	REV	DATE	BY	APPD
FX	00	A	27FEB2012	DD	CM



SCALE 1:1



SCALE 1:1



DETAIL E
SCALE 25:1
TYPICAL 178 PLACES

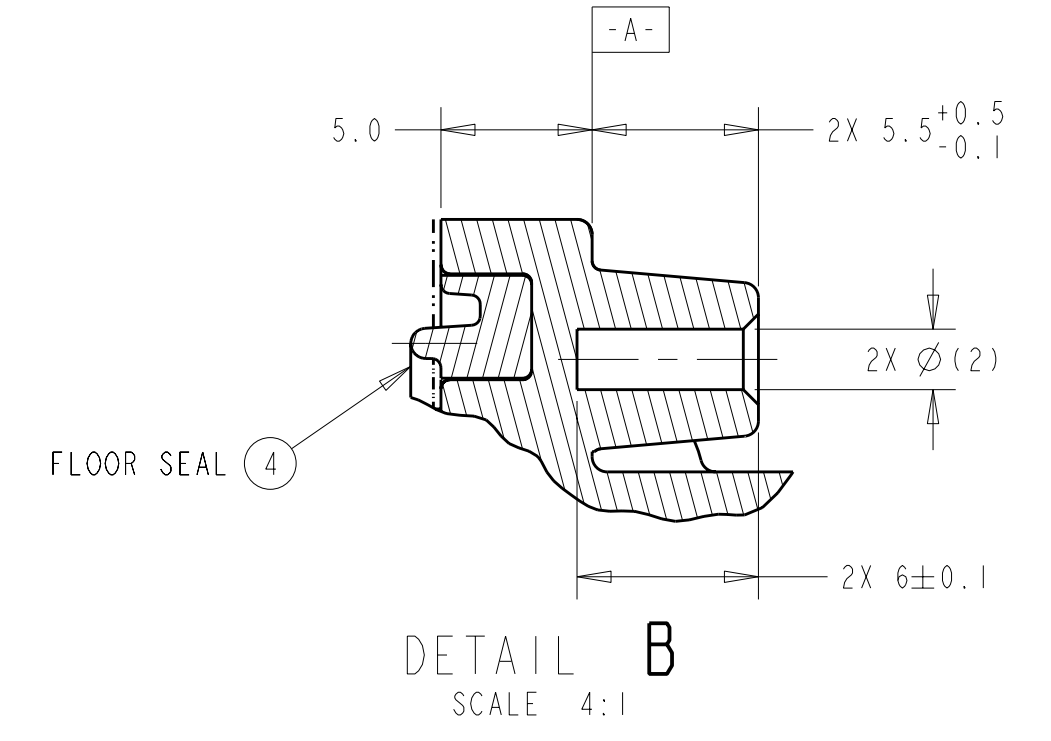
SEE DETAIL E

SEE DETAIL D

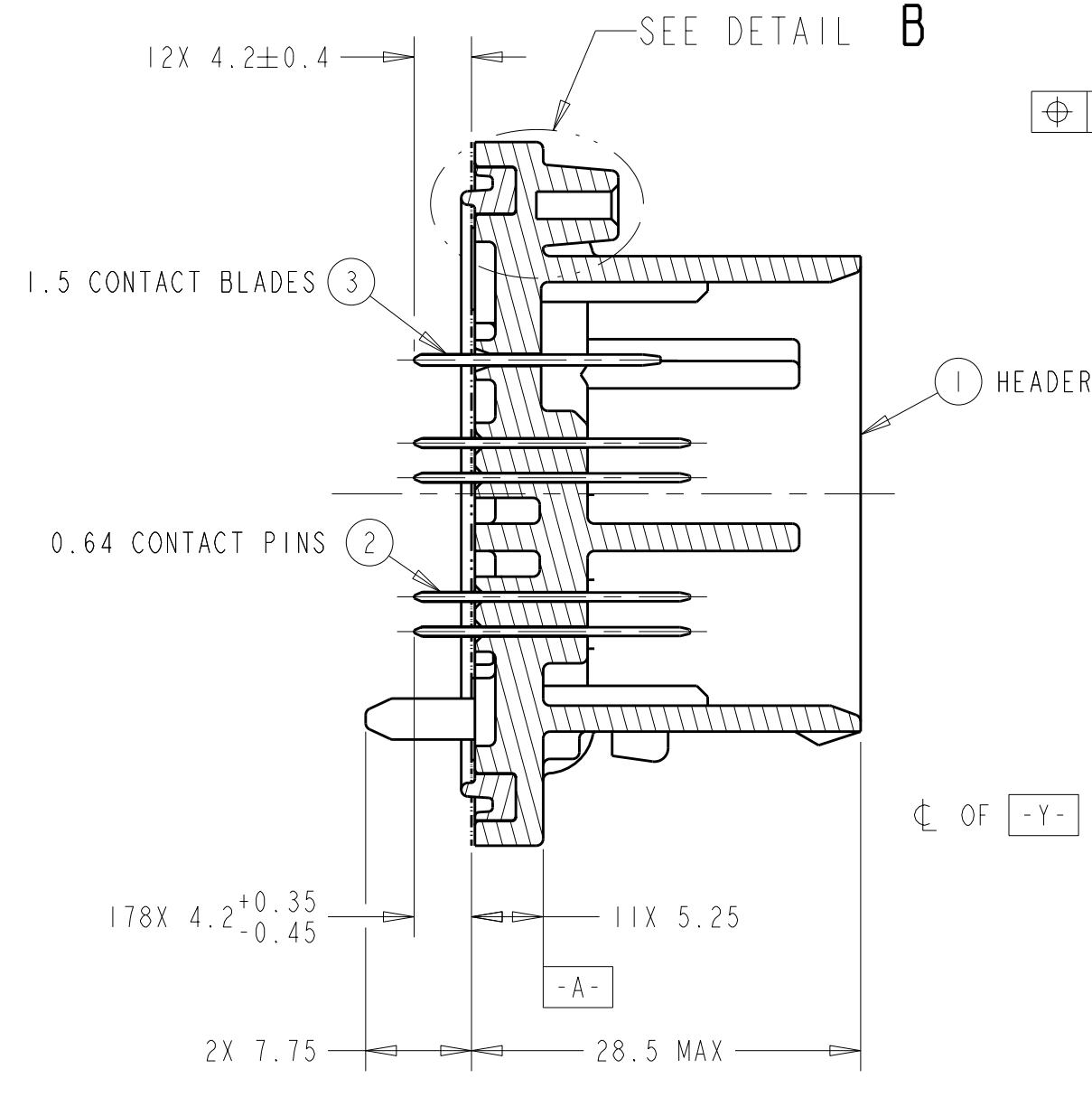
DETAIL D
SCALE 25:1
TYPICAL 12 PLACES

SECTION C-C

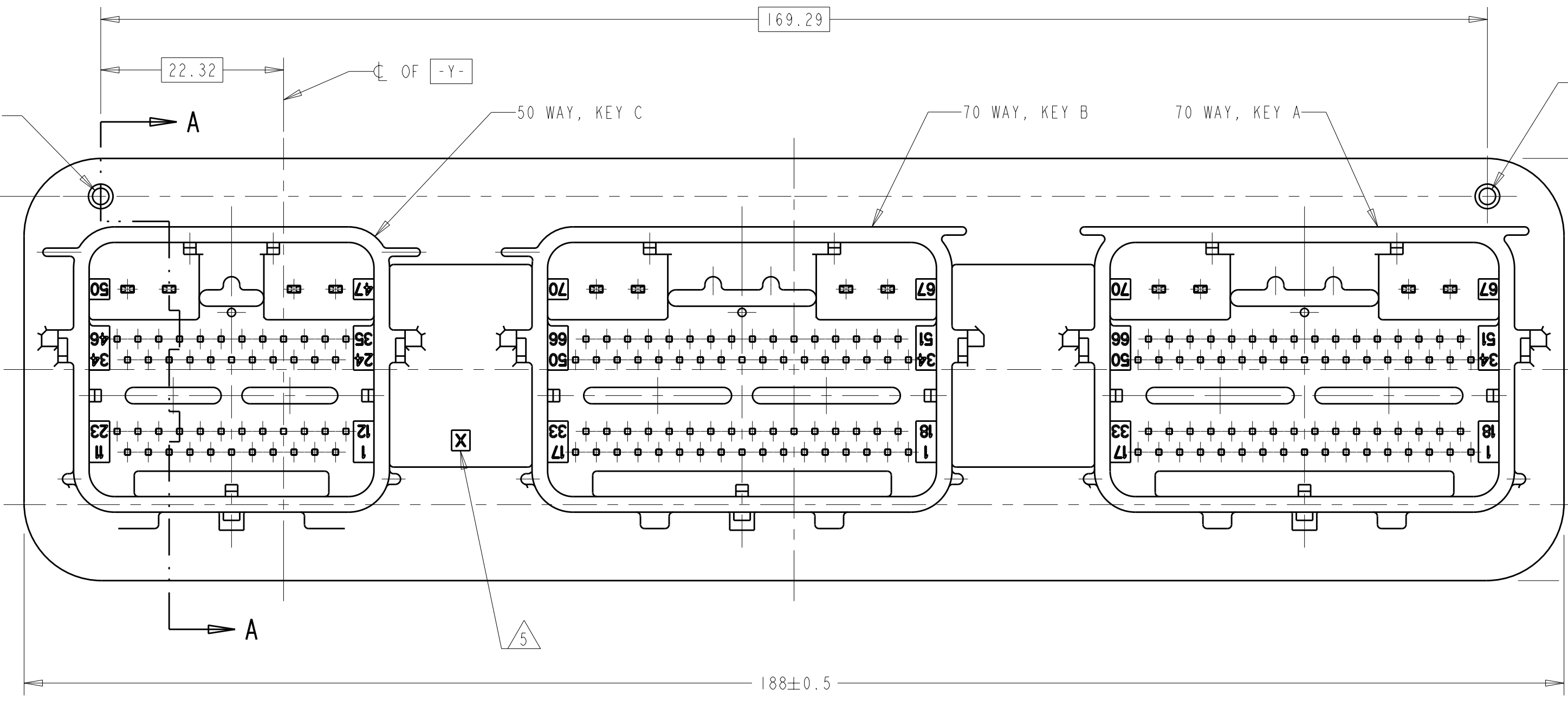
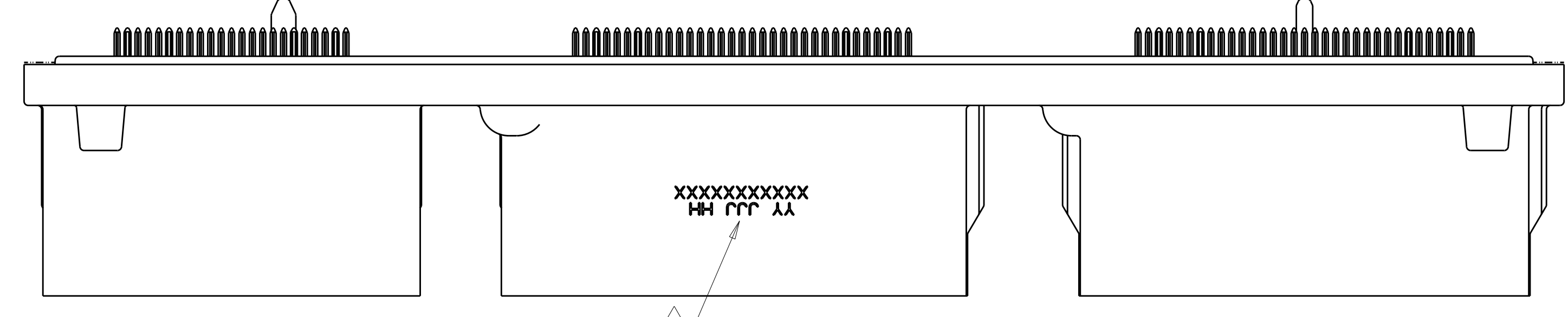
- 0.64 CONTACT:
MATERIAL: COPPER ALLOY
CONTACT AREA PLATING: >0.8µm Au OVER 2 - 3.5µm Ni.
SOLDER TAIL PLATING: 2.5 - 4µm Sn OVER 2 - 3.5µm Ni
 - 1.5 CONTACT:
MATERIAL: BRASS
PLATING: TIN THICKNESS 11 (0.0025-0.0040)
OVER NICKEL THICKNESS 11 (0.00125-0.00225)
ALL OVER.
 - MATERIAL: SILICONE
- 4 PRINT TRACEABILITY CODE (YY = TWO DIGIT YEAR, JJJ = JULIAN DAY, HH = TWO DIGIT MILITARY HOUR) AND PART NUMBER ON THE CENTER POCKET OPPOSITE THE LATCH.
- 5 CAVITY IDENTIFICATION.
- 6 TP 0.45 FUNCTIONAL GAGING 100% GAGED ONLINE PER CONTROL PLAN.



DETAIL B
SCALE 4:1



SECTION A-A



1438063-5				
---- ASSEMBLY PART NUMBER				
QTY	COLOR/FINISH	MATERIAL	DESCRIPTION	ITEM
1	GREEN	SEE NOTE 3	FLOOR SEAL	4
12	SEE NOTE 2	SEE NOTE 2	1.5 CONTACT BLADE	3
178	SEE NOTE 1	SEE NOTE 1	0.64 CONTACT PIN	2
1	BLACK	>PPA-GF33<	HEADER	1

THIS DRAWING IS A CONTROLLED DOCUMENT. DIMENSIONING AND TOLERANCING PER ASME Y14.5M-2009. TOLERANCES UNLESS OTHERWISE SPECIFIED: 0 PLC ±, 1 PLC ±0.3, 2 PLC ±0.10, 3 PLC ±, 4 PLC ±, ANGLES ±.

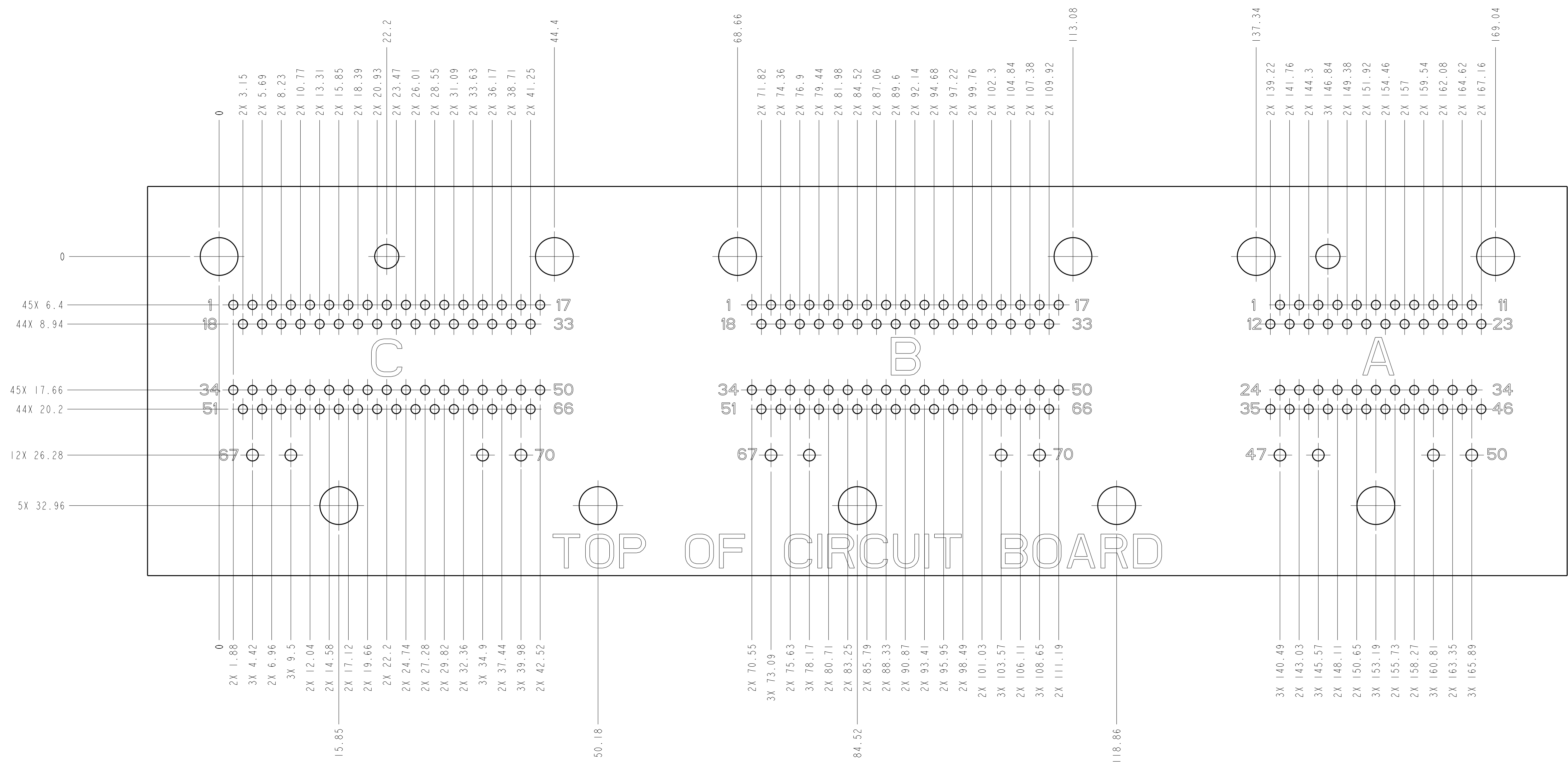
MATERIAL: SEE TABLE ABOVE. FINISH: -

1438063-5

190 WAY HEADER ASSEMBLY

SCALE 2:1 SHEET 1 OF 2 REV A

LOC	DIST	REV	DATE	BY	APPD
FX	00				
DESCRIPTION			DATE	BY	APPD
SEE SHEET 1					



TOP OF CIRCUIT BOARD

PCB LAYOUT
 SCALE 3:1

THIS DRAWING IS A CONTROLLED DOCUMENT.		DWN: D. DRUMMOND 27FEB2012 CHK: C. MARTIN 27FEB2012 APVD: F. MARTIN 27FEB2012	STE TE Connectivity	
DIMENSIONS: mm 		TOLERANCES UNLESS OTHERWISE SPECIFIED: 0 PLC ± 1 PLC ±0.3 2 PLC ±0.10 3 PLC ± 4 PLC ± ANGLES ±°		NAME: 190 WAY HEADER ASSEMBLY SIZE: A1 CAGE CODE: 00779 DRAWING NO: C=1438063
MATERIAL: SEE TABLE ABOVE		PRODUCT SPEC: APPLICATION SPEC: WEIGHT: - FINISH: -	RESTRICTED TO: SCALE: 2:1 SHEET: 2 OF 2 REV: A	CUSTOMER DRAWING