

4

3

2

1

THIS DRAWING IS UNPUBLISHED.

RELEASED FOR PUBLICATION

- , -

REVISIONS

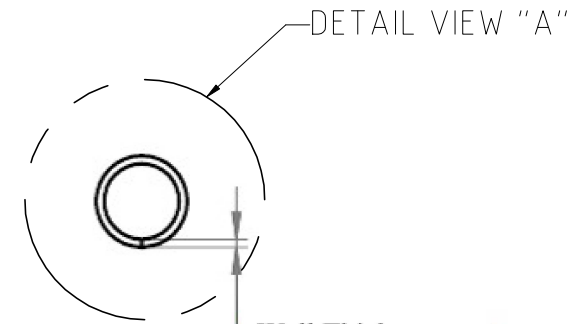
© COPYRIGHT - TE Connectivity Ltd.

ALL RIGHTS RESERVED.

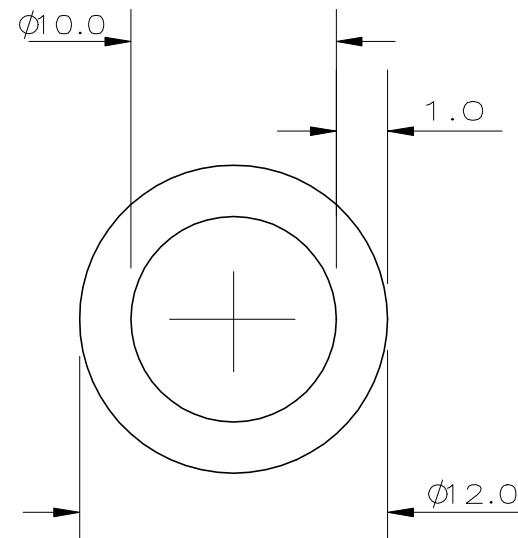
P	LTR	DESCRIPTION	DATE	DWN	APVD
	A	INITIAL RELEASE	22FEB2019	GK	LS



Helical Pitch



Wall Thickness



DETAIL "A"
SCALE 1:2

BUNDLE RANGE : 10 TO 100mm DIA

ALL DIMENSIONS ARE NOMINAL, UNLESS WHERE SPECIFIED.

TE PART NO	US EQUIVALENT PART NUMBER	LENGTH (M)	HELICAL PITCH (mm)
142841-1	TUBING SPIRAP 500031-1	15	16±2

THIS DRAWING IS A CONTROLLED DOCUMENT.		DWN G.ROBERT 02/26/88	TE TE Connectivity		
		CHK G.ROBERT 02/26/88			
DIMENSIONS: mm		APVD -	NAME SPIRAP-12-BLK-PE		
		PRODUCT SPEC -	SIZE A3		
TOLERANCES UNLESS OTHERWISE SPECIFIED: 0 PLC ± - 1 PLC ± - 2 PLC ± 0.13 3 PLC ± - 4 PLC ± - ANGLES ± 0'30'		APPLICATION SPEC -	CAGE CODE 00779	DRAWING NO 142841	RESTRICTED TO -
MATERIAL POLYETHYLENE		FINISH -	WEIGHT	CUSTOMER DRAWING	
		SCALE -		SHEET 1 of 1	REV A