

THIS DRAWING IS UNPUBLISHED.

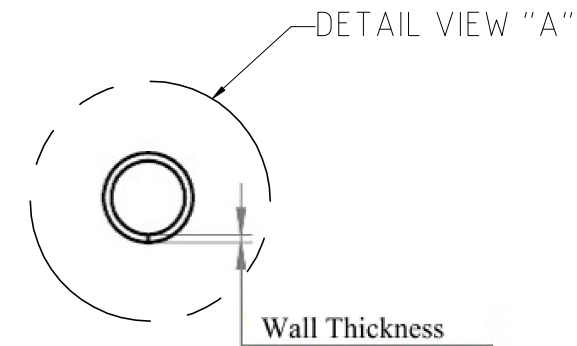
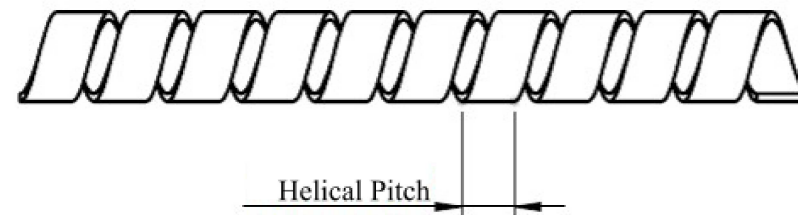
RELEASED FOR PUBLICATION

REVISIONS

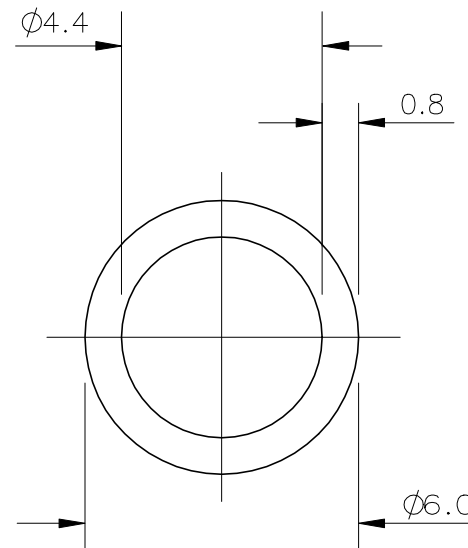
© COPYRIGHT - TE Connectivity Ltd.

ALL RIGHTS RESERVED.

P	LTR	DESCRIPTION	DATE	DWN	APVD
	A	INITIAL RELEASE	22FEB2019	GK	LS



BUNDLE RANGE : 5 TO 20mm DIA



DETAIL "A"  
SCALE 1:2

ALL DIMENSIONS ARE NOMINAL, UNLESS WHERE SPECIFIED.

TE PART NO	US EQUIVALENT PART NUMBER	LENGTH (M)	HELICAL PITCH (mm)
142840-2	TUBING SPIRAP 500030-2	30	12±2

THIS DRAWING IS A CONTROLLED DOCUMENT.		DWN G.ROBERT 02/26/88	<b>TE</b> TE Connectivity		
		CHK G.ROBERT 02/26/88			
DIMENSIONS: mm		APVD -	NAME SPIRAP-6-BLK-PE		
		PRODUCT SPEC -	SIZE A3		
TOLERANCES UNLESS OTHERWISE SPECIFIED: 0 PLC ± - 1 PLC ± - 2 PLC ± 0.13 3 PLC ± - 4 PLC ± - ANGLES ± 0'30'		APPLICATION SPEC -	CAGE CODE 00779	DRAWING NO 142840	RESTRICTED TO -
MATERIAL POLYETHYLENE		FINISH -	WEIGHT	CUSTOMER DRAWING	
			SCALE -	SHEET 1 of 1	REV A