

THIS DRAWING IS UNPUBLISHED.

RELEASED FOR PUBLICATION

- . - .

REVISIONS

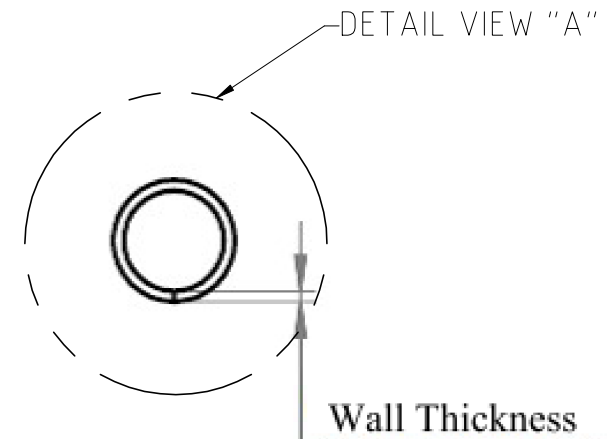
© COPYRIGHT - TE Connectivity Ltd.

ALL RIGHTS RESERVED.

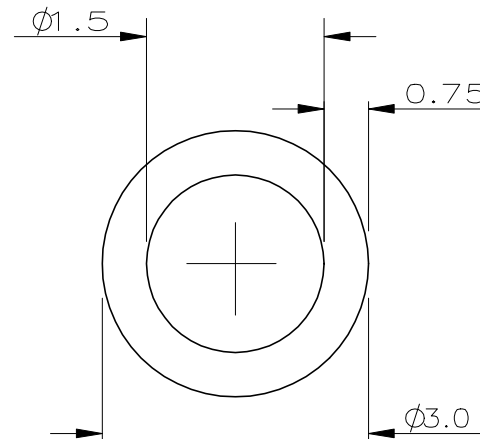
P	LTR	DESCRIPTION	DATE	DWN	APVD
	A	INITIAL RELEASE	22FEB2019	GK	LS



Helical Pitch



Wall Thickness



DETAIL "A"
SCALE 1:2

BUNDLE RANGE : 1.5 TO 7mm DIA

ALL DIMENSIONS ARE NOMINAL, UNLESS WHERE SPECIFIED.

TE PART NO	US EQUIVALENT PART NUMBER	LENGTH (M)	HELICAL PITCH (mm)
142839-4	TUBING SPIRAP 500029-4	75	5±2

THIS DRAWING IS A CONTROLLED DOCUMENT.

DWN G.ROBERT 02/26/88

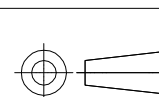
CHK G.ROBERT 02/26/88

APVD -



DIMENSIONS:
mm

TOLERANCES UNLESS
OTHERWISE SPECIFIED:



- 0 PLC ± -
- 1 PLC ± -
- 2 PLC ± 0.13
- 3 PLC ± -
- 4 PLC ± -
- ANGLES ± 0'30'

MATERIAL
POLYETHYLENE

FINISH

-

PRODUCT SPEC

APPLICATION SPEC

WEIGHT

NAME
SPIRAP-3-NAT-PE

SIZE	CAGE CODE	DRAWING NO	RESTRICTED TO
A3	00779	142839	-

CUSTOMER DRAWING

SCALE	SHEET	REV
-	1 of 1	A