

THIS DRAWING IS UNPUBLISHED.

RELEASED FOR PUBLICATION

- , -

REVISIONS

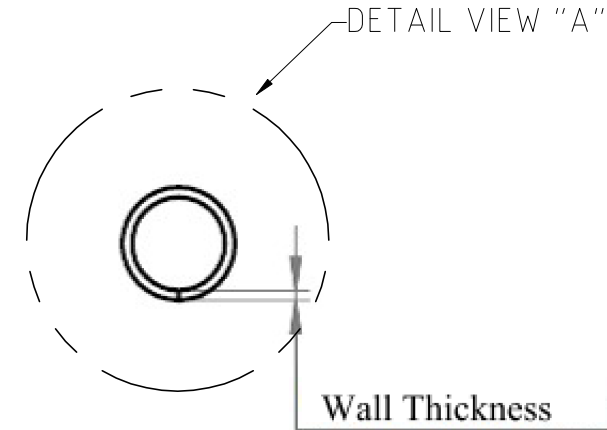
© COPYRIGHT - TE Connectivity Ltd.

ALL RIGHTS RESERVED.

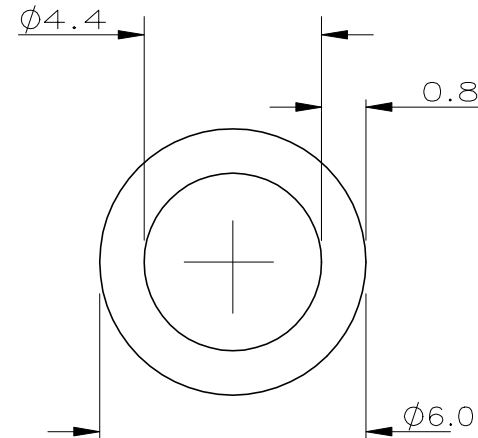
P	LTR	DESCRIPTION	DATE	DWN	APVD
	B	ECR-19-002279	22FEB2019	GK	LS



Helical Pitch



Wall Thickness



BUNDLE RANGE : 5 TO 20mm DIA

ALL DIMENSIONS ARE NOMINAL, UNLESS WHERE SPECIFIED.

DETAIL "A"
SCALE 1:2

TE PART NO	DESCRIPTION	LENGTH (M)	HELICAL PITCH (mm)
142830-2	TUBING SPIRAP DIA 6 NAT 30 METERS	30	12±2

THIS DRAWING IS A CONTROLLED DOCUMENT.		DWN G.ROBERT 02/26/88	TE TE Connectivity	
		CHK G.ROBERT 02/26/88		
DIMENSIONS: mm		APVD -		NAME SPIRAP-6-NAT-PE-30
		PRODUCT SPEC -		
TOLERANCES UNLESS OTHERWISE SPECIFIED:		APPLICATION SPEC -		SIZE A3
0 PLC ± - 1 PLC ± - 2 PLC ± 0.13 3 PLC ± - 4 PLC ± - ANGLES ± 0'30'		WEIGHT		CAGE CODE 00779
MATERIAL POLYETHYLENE		FINISH -		DRAWING NO 142830
		CUSTOMER DRAWING		RESTRICTED TO -
		SCALE -		SHEET 1 of 1
				REV B