

4

3

2

1

THIS DRAWING IS UNPUBLISHED.

RELEASED FOR PUBLICATION

© COPYRIGHT

ALL RIGHTS RESERVED.

LOC

DIST


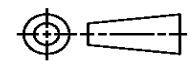
REVISIONS

P	LTR	DESCRIPTION	DATE	DWN	APVD

REPLACED BY OCEAN STYLE APPLICATOR PART NUMBER

FOR REPLACEMENT PARTS FOR APPLICATOR REFER TO ADDITIONAL PAGE(S). SPARE PARTS KIT (IF LISTED) WILL REMAIN AVAILABLE.

THE REPLACEMENT OCEAN STYLE APPLICATOR HAS THE SAME TERMINATOR/PRESS INTERFACE AS APPLICATOR

THIS DRAWING IS A CONTROLLED DOCUMENT.		DWN	 TE Connectivity		
DIMENSIONS:		CHK			
		TOLERANCES UNLESS OTHERWISE SPECIFIED:		NAME	
		0 PLC ±	1 PLC ±	PRODUCT SPEC	
MATERIAL		2 PLC ±	APPLICATION SPEC		RESTRICTED TO
FINISH		3 PLC ±	SIZE	CAGE CODE	
		4 PLC ±	A3		C-
		ANGLES ±	SCALE		SHEET OF
			WEIGHT		REV

PART NUMBER	REV	FIRST USED	TERMINATOR	FEED TYPE	DESCRIPTION
1426036-1	E	-	LEADMAKER	MECH POST FEED	CUTS CARRIER
1426036-2	E	-	BENCH	MECH PRE FEED	CUTS CARRIER
1426036-6	E	-	LEADMAKER	MECH POST FEED	CONTINUOUS CARRIER
7-1426036-1	E	-	LEADMAKER	MECH POST FEED	-1 AND SPARE PARTS
7-1426036-2	E	-	BENCH	MECH PRE FEED	-2 AND SPARE PARTS
7-1426036-6	E	-	LEADMAKER	MECH POST FEED	-6 AND SPARE PARTS
7-1426036-7	C	-	-	-	SPARE PARTS KIT

CRIMP DATA (NON-AMP TERMINAL-AMP SPEC)
 TERMINAL NAME: MOLEX MINI-FIT 5556/5558

CRIMP	SIZE	TYPE	RANGE
WIRE	1.40 [.055 IN]	F	24-18 AWG
INSUL	3.05 [.120 IN]	F	1.30-3.10 [.051-.122 IN]

WIRE STRIP LENGTH 3.00-3.50 [.118-.138 IN] APPL INSTRUCTION 408-8322

TERMINAL	FEED
APPL SPEC CS-5556*/5558*	11.05 [.435 IN]

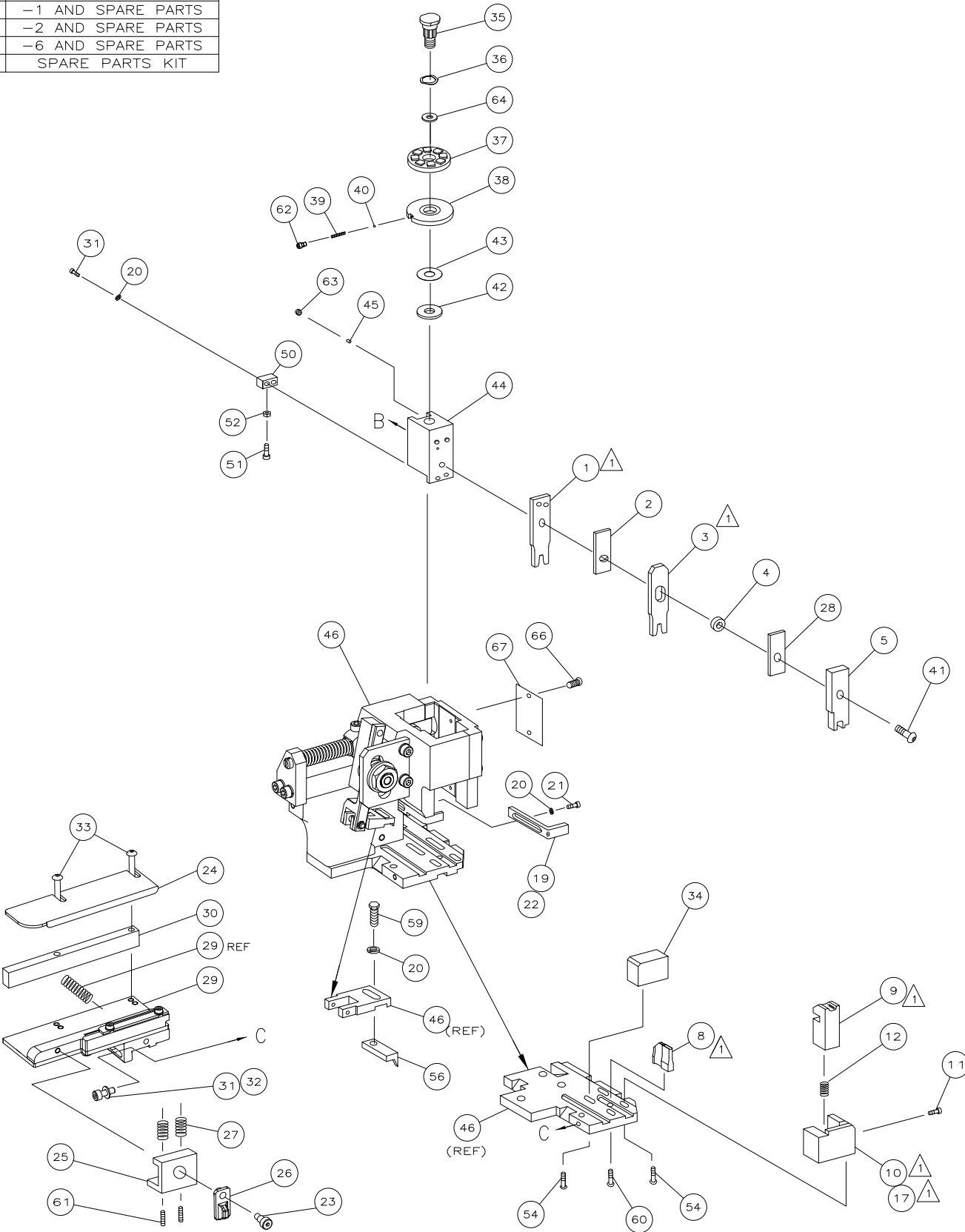
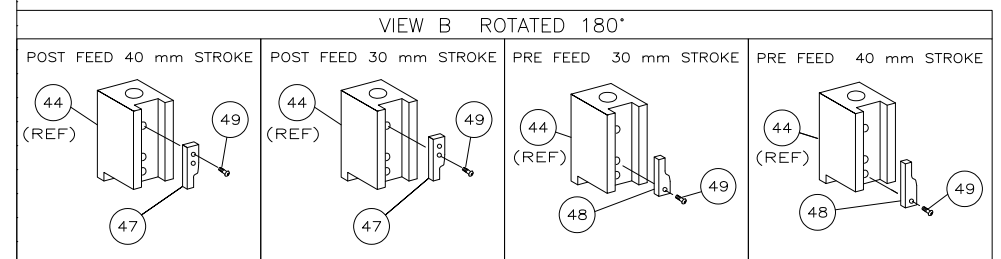
TERMINALS APPLIED

MFR PT. NO.	AMP PT. NO.	MFR PT. NO.	AMP PT. NO.	
39-00-0040	286611-1	39-00-0038	286603-1	-
39-00-0061	286611-2	39-00-0055	286603-2	-
39-00-0053	286611-3	39-00-0207	286603-3	-
39-00-0120	286611-4	39-00-0163	286603-4	-
39-00-0126	286611-5	39-00-0059	286603-5	-
39-00-0219	286611-6	39-00-0153	286603-6	-
44478-1111	286611-7	39-00-0181	286603-7	-
		39-00-0213	286603-8	-
		44476-1111	286603-9	-

WIRE SIZE	CRIMP HEIGHT	PIN PN & LENGTH [IN]
18 AWG	1.17 ±0.05 [.046 ±.002 IN]	2-354779-0 [.3090]
0.75mm ²	1.04 ±0.05 [.041 ±.002 IN]	3-354779-2 [.3150]
20 AWG or 0.50mm ²	0.99 ±0.05 [.039 ±.002 IN]	3-354779-3 [.3155]
22 AWG	0.89 ±0.05 [.035 ±.002 IN]	4-354779-2 [.3200]
24 AWG	0.84 ±0.05 [.033 ±.002 IN]	4-354779-8 [.3230]

SET UP GAGE 458637-3 LAYOUT L1426036

- RECOMMENDED SPARE PARTS.
- GREASE RAM, CAM, CAM FOLLOWER AND FEED ROD LIGHTLY.
 - LUBRICATE DAILY PER THE APPLICATOR INSTRUCTION SHEET SUPPLIED WITH THE APPLICATOR.



QTY	REQD	PER	ASSY	PART NO	DESCRIPTION	ITEM NO
1	1	1	1	1426036	PRINT, APPLICATOR LOG SHEET	73
1	1	1	1	1338705-1	DOCUMENTATION PACKAGE	71
1	1	1	1			70
1	1	1	1			69
1	1	1	1			68
1	1	1	1	461264-1	PLATE, IDENTIFICATION	67
2	2	2	2	21017-2	SCR,DRIVE(#2x.19)ID PLATE	66
1	1	1	1			65
1	1	1	1	986950-1	WASHER, FLAT PRECISION	64
1	1	1	1	3-18031-0	SCR,SKT SET(M6X6)RAM	63
1	1	1	1	18023-9	SCR,SHC(M4X6)INS DISC	62
2	2	2	2	2-18032-5	SCR,SET(M5X20)DRAG	61
1	1	1	1	18024-7	SCR,BHC(M4X10)ANVIL	60
1	1	1	1	5-18022-2	SCR,HEX(M4X8)FEED FINGER	59
1	1	1	1			58
1	1	1	1			57
1	1	1	1	1338685-1	PAWL, FEED	56
1	1	1	1			55
4	4	4	4	18024-8	SCR,BHC(M4x12)SHEAR HOLDER	54
1	1	1	1			53
1	1	1	1	18030-1	NUT,HEX(M3)HOLD DOWN	52
1	1	1	1	811242-5	BUMPER, HOLDDOWN	51
1	1	1	1	690753-2	SPACER, TONKER	50
1	1	1	1	18024-3	SCR,BHC(M3X10)CAM	49
1	1	1	1	1338675-1	CAM, PRE FEED 30 & 40 mm ST	48
1	1	1	1	1320999-3	APPLICATOR BASIC SUBASSY	46
1	1	1	1	690191-1	PLUG, NYLON	45
1	1	1	1	1338660-1	RAM	44
1	1	1	1	690125-1	WASHER, LAMINATED	43
1	1	1	1	690124-1	WASHER, RAM	42
1	1	1	1	2-18024-6	SCR,BHC(M8X25)RAM	41
1	1	1	1	23241-1	BALL, STEEL	40
1	1	1	1	2-22278-7	SPRING, COMPRESSION	39
1	1	1	1	1320922-1	DISC, INSULATION	38
1	1	1	1	354777-1	WIRE DISC, PLASTIC	37
1	1	1	1	22480-5	WASHER, SPRING	36
1	1	1	1	690212-1	POST, RAM	35
1	1	1	1	1320934-3	SUPPORT, TERMINAL	34
2	2	2	2	1-18024-0	SCR,BHC(M4X20)STRIP GUIDE	33
1	1	1	1	18027-2	WASHER, FLAT(M4)	32
3	3	3	3	1-18023-2	SCR,SKT CAP(M4X12)MOUNT BLOCK	31
1	1	1	1	1320908-4	SPACER, STRIP GUIDE	30
1	1	1	1	1633073-1	STRIP GUIDE PLATE ASSY	29
1	1	1	1	1-455888-6	SPACER, FRONT SHEAR DEP	28
2	2	2	2	1-22284-0	SPRING, DRAG	27
1	1	1	1	356835-1	LEVER, DRAG RELEASE	26
1	1	1	1	240792-1	DRAG, TERMINAL	25
1	1	1	1	1320928-1	PLATE, STRIP GUIDE	24
1	1	1	1	980371-4	SCR,SHC SHLD	23
1	1	1	1	690472-2	STRIPPER	22
1	1	1	1	1-18023-1	SCR,SHC(M4X10)STRIPPER	21
4	4	4	4	18025-2	WASHER,LOCK(M4)STRIPPER	20
1	1	1	1	690472-1	STRIPPER	19
1	1	1	1			18
1	1	1	1	1338684-1	HOLDER, SHEAR, FRONT (NO-CUT)	17
1	1	1	1			16
1	1	1	1			15
1	1	1	1			14
1	1	1	1			13
1	1	1	1	3-22280-3	SPRING, SHEAR	12
1	1	1	1	356885-4	STOP, SHEAR	11
1	1	1	1	1320921-1	HOLDER, SHEAR, FRONT (CUT)	10
1	1	1	1	454276-1	SHEAR, FLOAT (FRONT)	9
1	2	2	2	1333201-3	ANVIL	8
1	1	1	1			7
1	1	1	1			6
1	1	1	1	1-455889-4	DEPRESSOR, SHEAR (FRONT)	5
1	1	1	1	238011-7	SPACER, BLOCK CRIMPER	4
1	2	2	2	7-456134-3	CRIMPER, INSULATION	3
1	1	1	1	455888-2	SPACER, CRIMPER	2
1	2	2	2	2-456402-4	CRIMPER, WIRE	1

THIS DRAWING IS A CONTROLLED DOCUMENT.

DIMENSIONS: INCHES
 0 PLC ±.001
 1 PLC ±.002
 2 PLC ±.003
 3 PLC ±.004
 4 PLC ±.005

TOLERANCES UNLESS OTHERWISE SPECIFIED:
 ±.001
 ±.002
 ±.003
 ±.004
 ±.005

MATERIAL: - FINISH: -

APPROVED: M. CLIFFORD 14JUN07
 NAME: F. BACKHURST 14JUN07
 PRODUCT SPEC: SIDE FEED HD-1 APPLICATOR

SIZE: A1 CAGE CODE: 00779 DRAWING NO: 1426036
 WEIGHT: -

CUSTOMER DRAWING: - SCALE: - SHEET: 1 of 1 REV: E