

THIS DRAWING IS UNPUBLISHED.

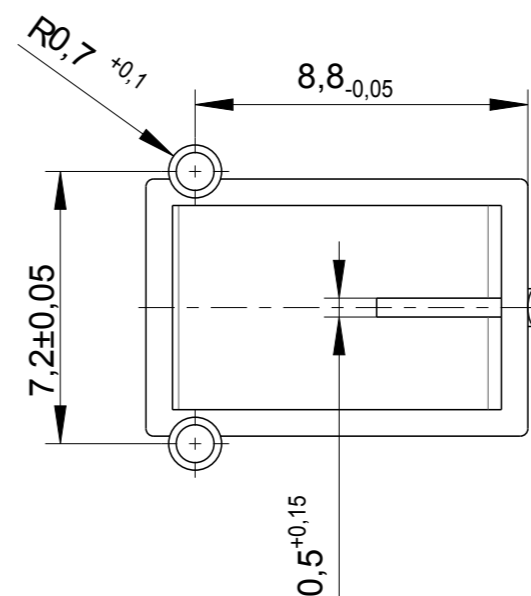
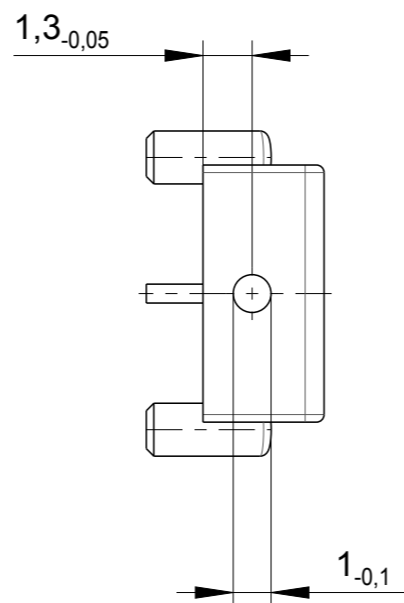
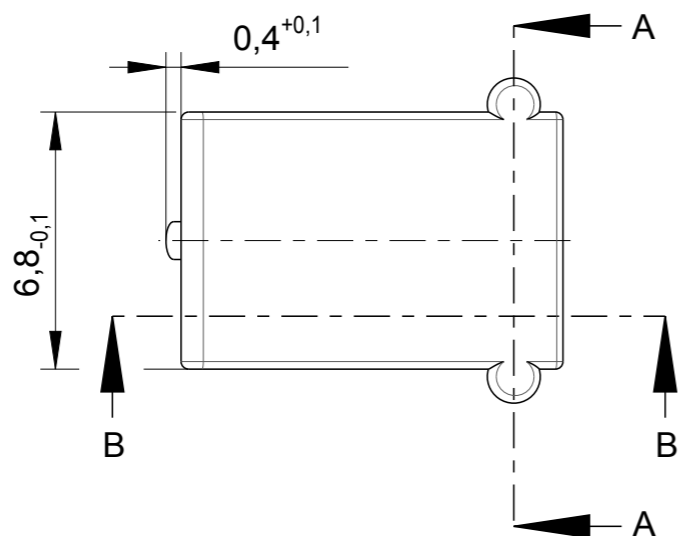
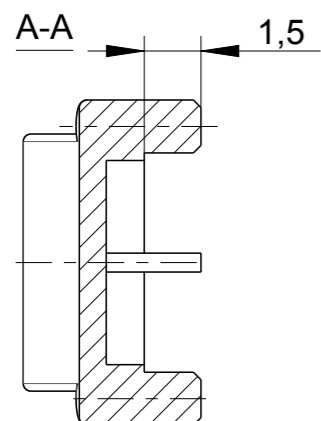
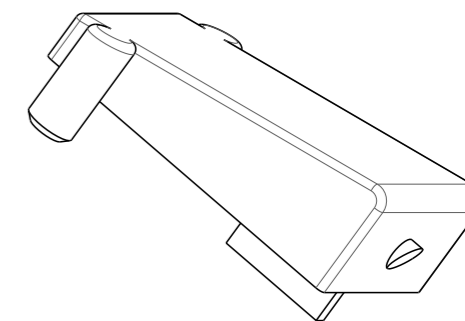
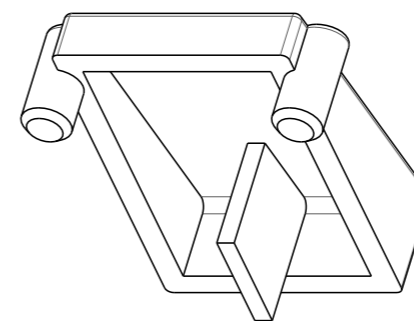
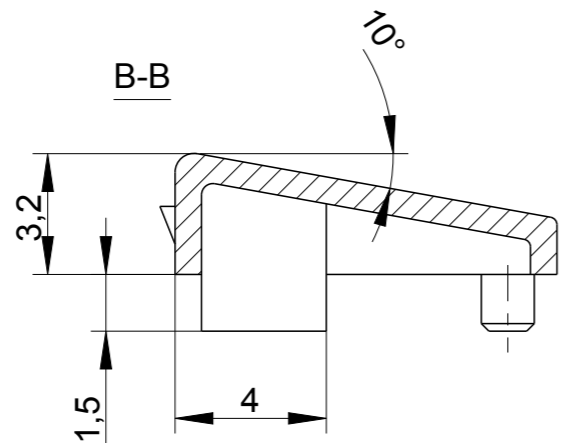
RELEASED FOR PUBLICATION

© COPYRIGHT- BY TYCO ELECTRONICS CORPORATION. ALL INTERNATIONAL RIGHTS RESERVED.

LOC FM DIST 1

REVISIONS

P	LTR	DESCRIPTION	DATE	DWN	APVD
	A	EO 88070	01MAR2001	CR	MM
	A1	ECR-09-003404	19FEB2009	GB	SZG
	A2	ECR-09-011340	19JAN2010	GB	SzG
	A3	ECR-10-008696	22APR2010	GB	SzG



1 Farbe: gelb
COLOUR : yellow

2 Projekt Nr.: X0394
PROJECT NO.

(A) Tyco Electronics P/N 1418007-1 as shown
Tyco Electronics P/N 1418007-1 COMME DÉMONTRÉ

THIS DRAWING IS A CONTROLLED DOCUMENT FOR TYCO ELECTRONICS CORPORATION
IT IS SUBJECT TO CHANGE AND THE CONTROLLING ENGINEERING ORGANIZATION
SHOULD BE CONTACTED FOR THE LATEST REVISION.

DIMENSIONS: mm	TOLERANCES UNLESS OTHERWISE SPECIFIED: ± 0.2mm
	0 PLC ±- 1 PLC ±- 2 PLC ±- 3 PLC ±- 4 PLC ±- ANGLES ±2°
MATERIAL PA 6.6	FINISH -

DWN R.Ruesch 26OCT2000	Tyco Electronics Hungary Kft H-2500 Esztergom, AMP
CHK T.Schnell 01MAR2001	
APVD M.Mueller 01MAR2001	
PRODUCT SPEC -	NAME LOWER COVER
APPLICATION SPEC -	SIZE A3 CAGE CODE - DRAWING NO C-1418007 RESTRICTED TO -
WEIGHT -	SCALE 5:1 SHEET 1 OF 1 REV A3
CUSTOMER DRAWING	