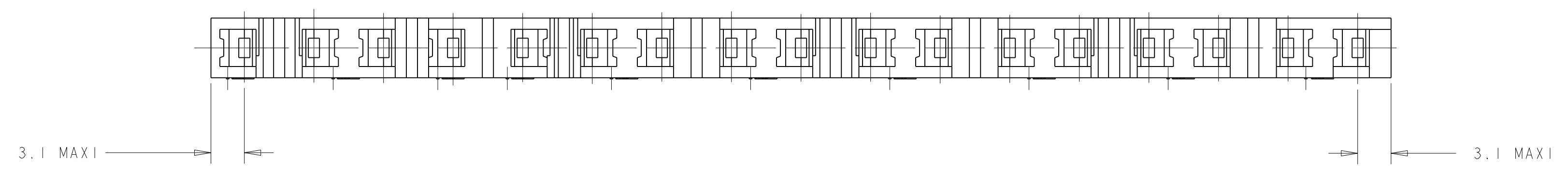
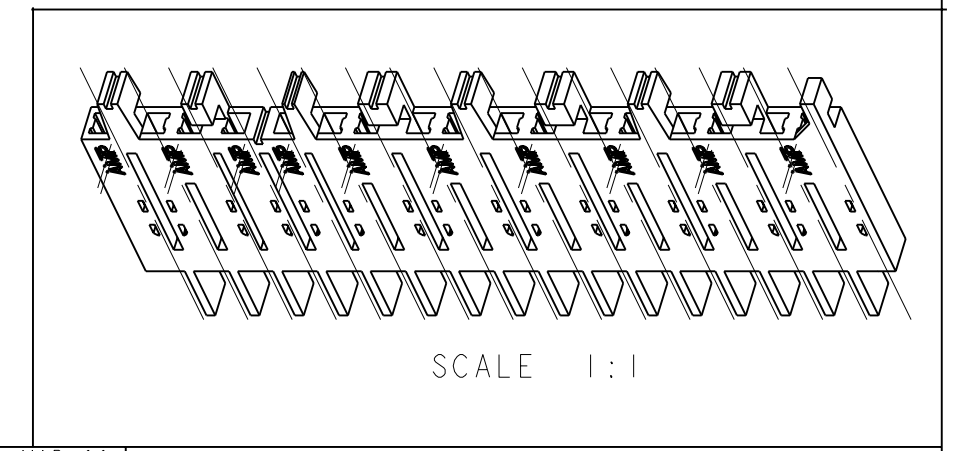
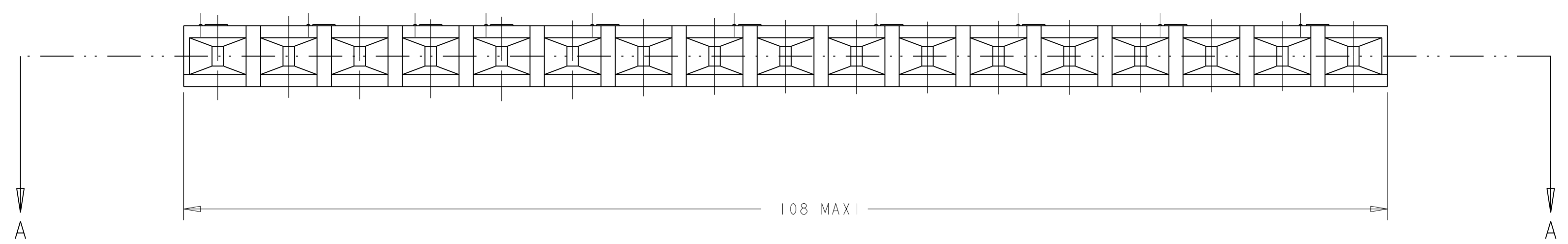
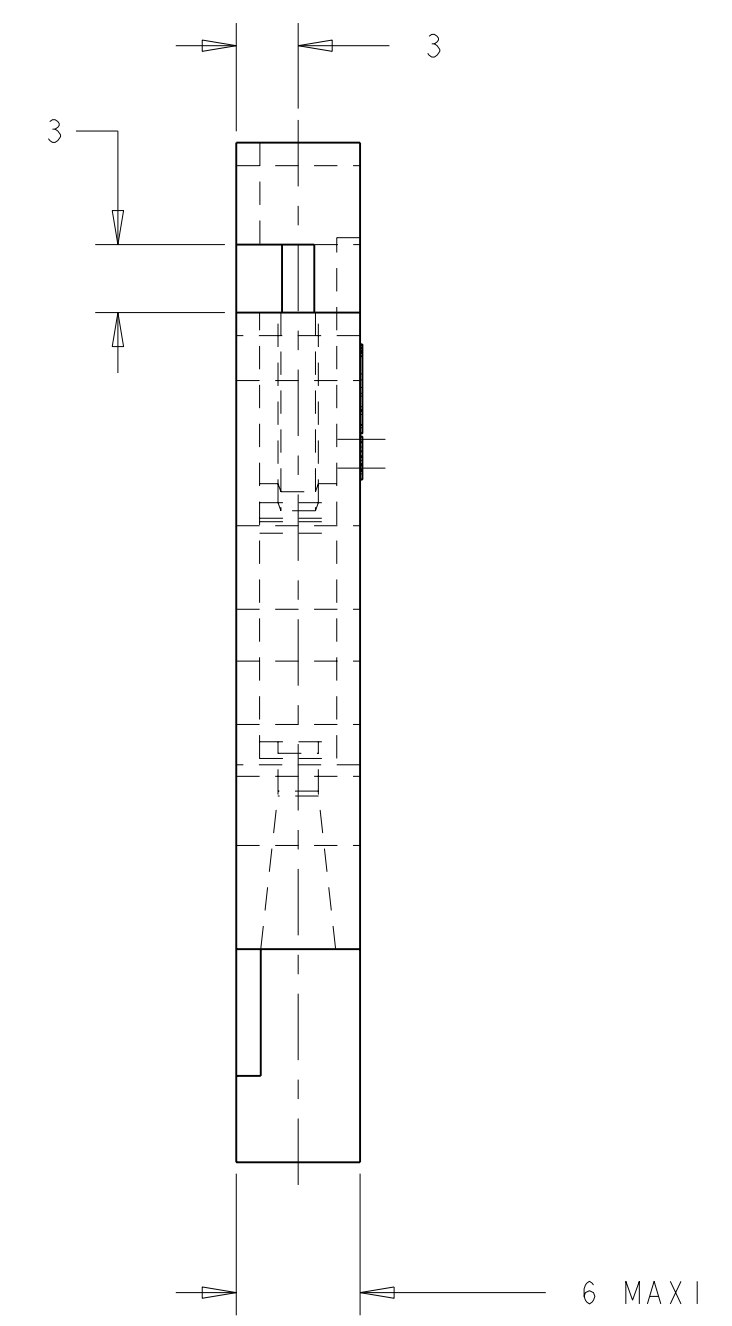
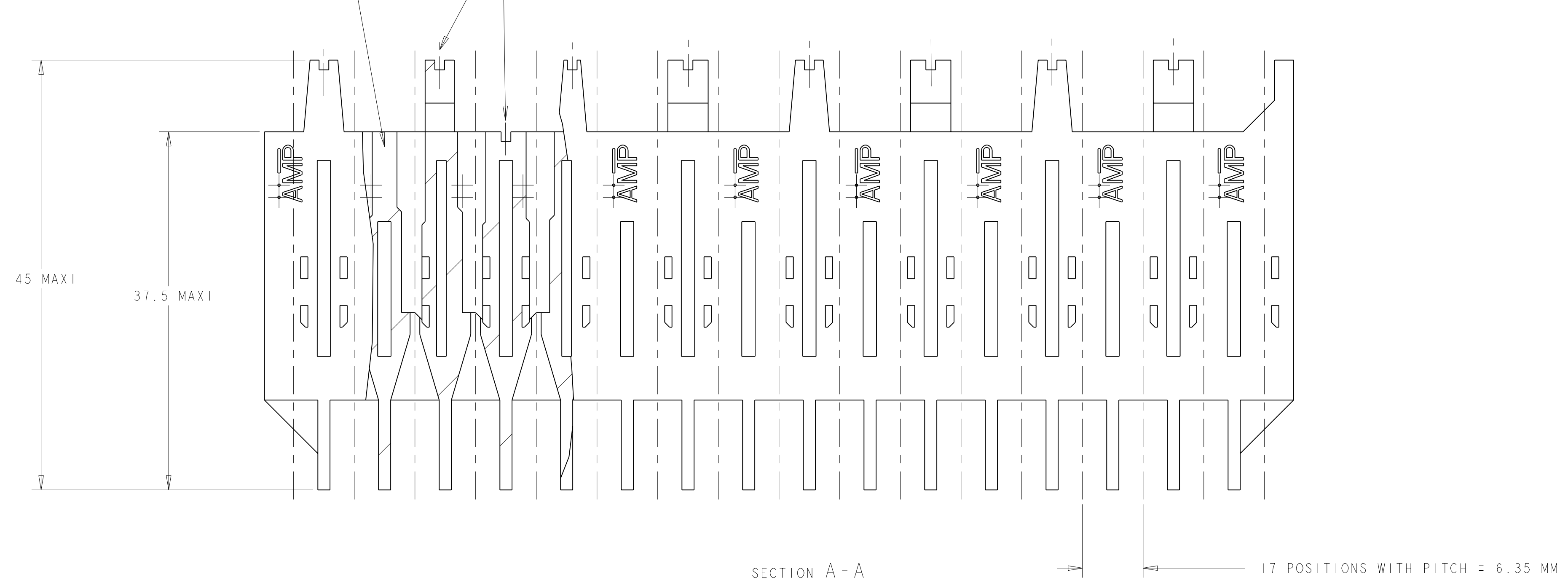


LOC	DIST	REVISIONS			
P	LTB	DESCRIPTION	DATE	DWN	APVD
B		DRAWING REBUILT	29JUN2009	GM	CG



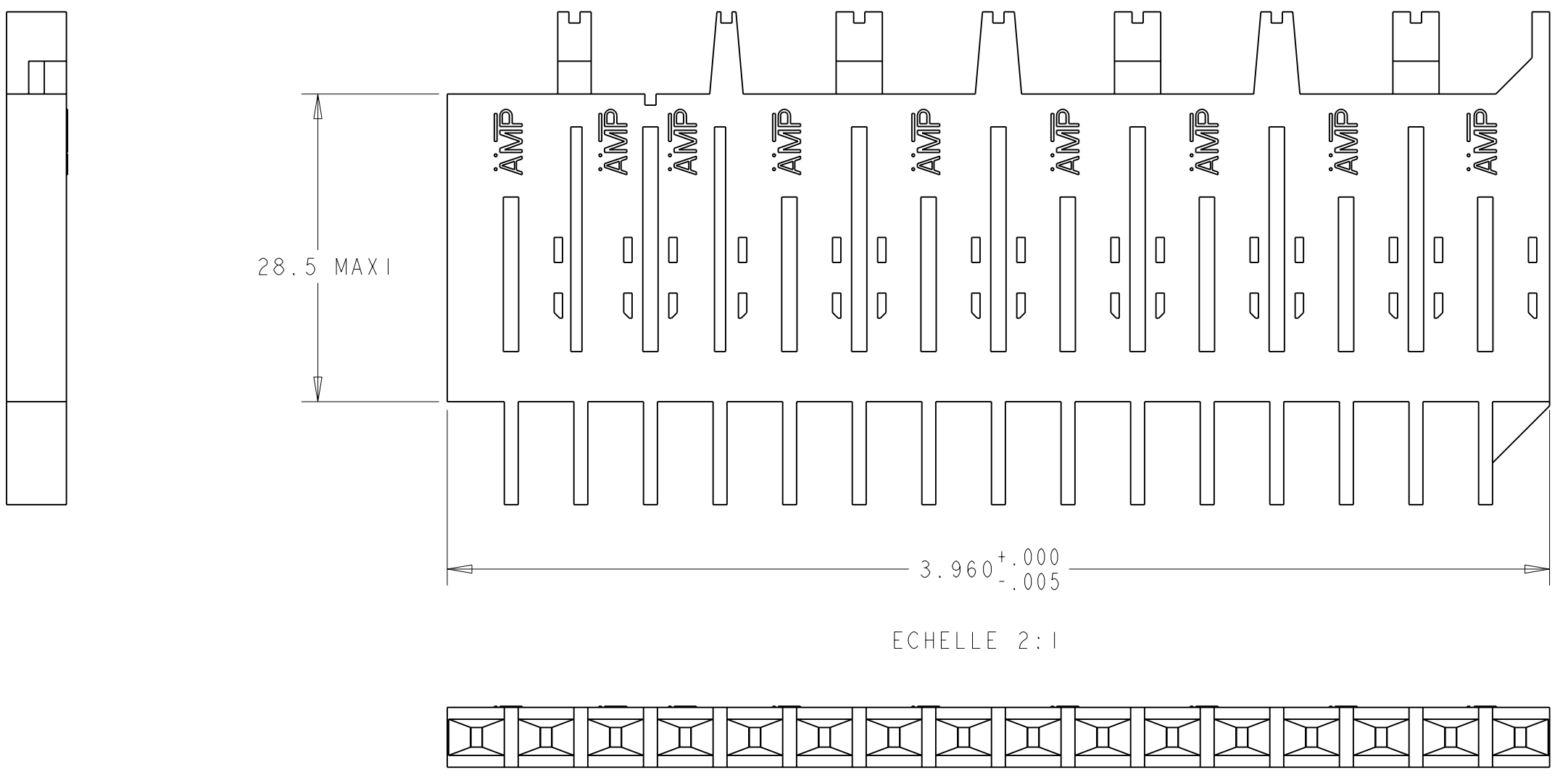
CAVITY FOR LOCKING CONTACT PN 87278-1 OR PN 87278-2  
 9 CUTTING AXIS FOR THE OBTENTION OF CONNECTORS WITH DIFFERENT NUMBER OF POSITIONS



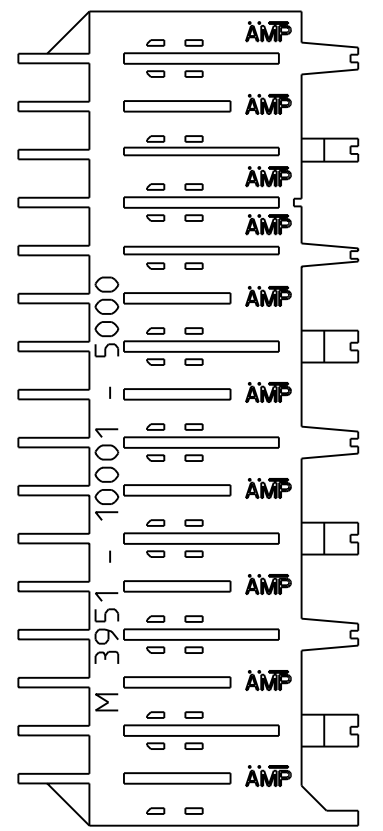
141720-1  
 17 pos. as shown

DIMENSIONS: mm 		TOLERANCES UNLESS OTHERWISE SPECIFIED: 9 PLC ±0.3 1 PLC ±0.1 5 PLC ±0.001 4 PLC ±0.0001 ANGLES ±		DWN PRAVEEN K 2-MAR-06 CHK G ROBERT 2-MAR-06 APVD Y PETRONLIN 2-MAR-06		Tyco Electronics AMP DE FRANCE 95301 PONTOISE	
MATERIAL PC-GF20% GREEN COLOR FINISH -		WEIGHT 16.20 g		NAME HOUSING 17 POS. SINGLE ROW 0.250 CENTERS FOR LOCKING-CLIP CONTACT 0.031x0.062 FOR PATCH BOARD PRODUCT SPEC 108-36029 APPLICATION SPEC -		SIZE CAGE CODE DRAWING NO RESTRICTED TO A100779C=141720 -	
CUSTOMER DRAWING				SCALE 1:1		SHEET 1 OF 2 REV B	

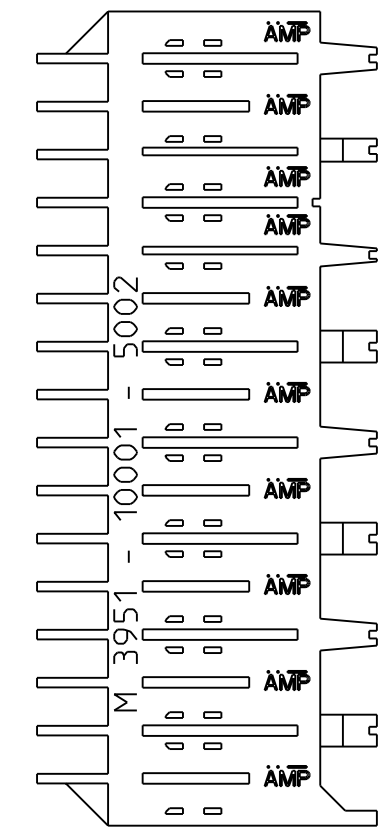
141720-2 AS SHOWN



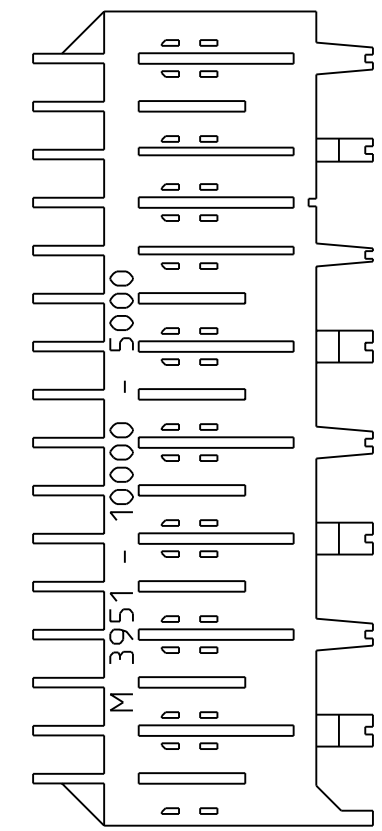
LOC	DIST	P	LTB	REVISIONS	DATE	DWN	APVD
-	-	-	-	DESCRIPTION	-	-	-
-	-	-	-	SEE SHEET 1	-	-	-



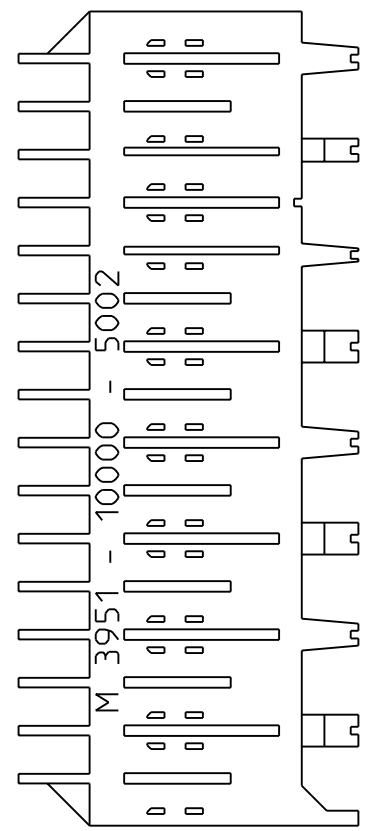
ECHELLE 1:1  
 PART NUMBER : 141720-3  
 MADE FROM : 141720-1  
 MARKING SIDE : LOGO AMP



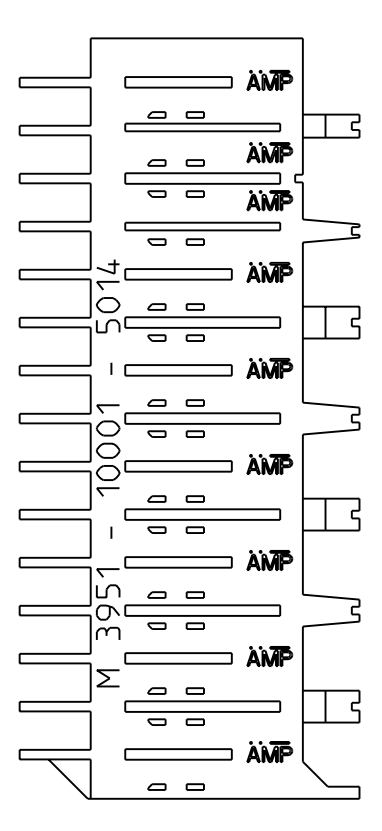
ECHELLE 1:1  
 PART NUMBER : 141720-5  
 MADE FROM : 141720-1  
 MARKING : M 3951-10001-5002  
 MARKING SIDE : LOGO AMP



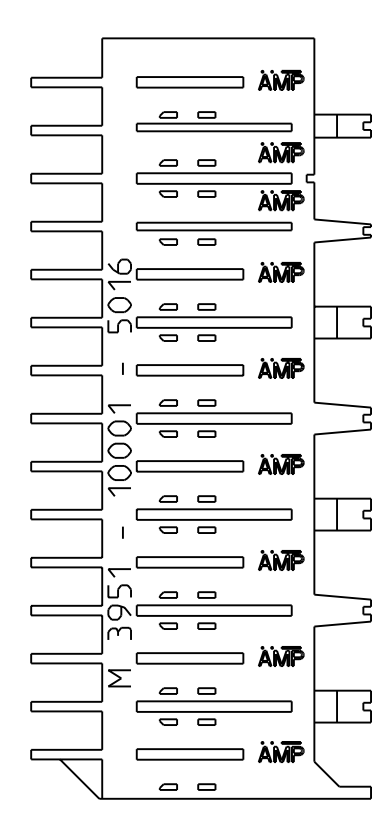
ECHELLE 1:1  
 PART NUMBER : 141720-7  
 MADE FROM : 141720-1  
 MARKING : M 3951-10000-5000  
 MARKING SIDE : NO LOGO AMP



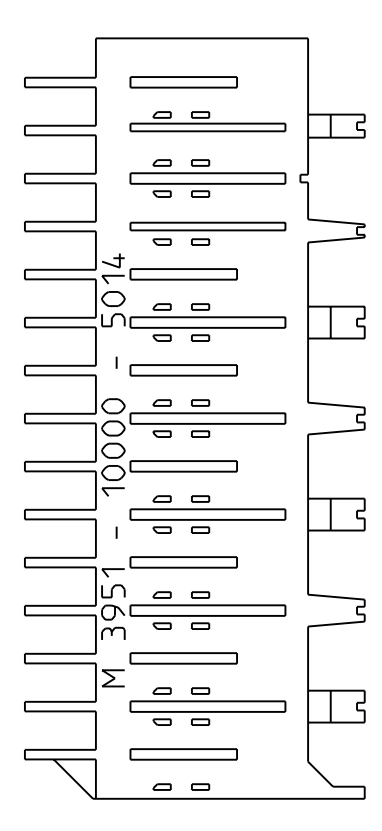
ECHELLE 1:1  
 PART NUMBER : 141720-9  
 MADE FROM : 141720-1  
 MARKING : M 3951-10000-5002  
 MARKING SIDE : NO LOGO AMP



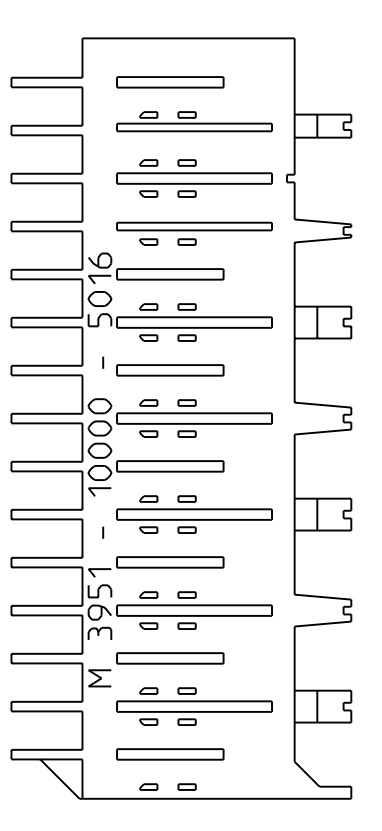
ECHELLE 1:1  
 PART NUMBER : 1-141720-1  
 MADE FROM : 141720-2  
 MARKING : M 3951-10001-5014  
 MARKING SIDE : LOGO AMP



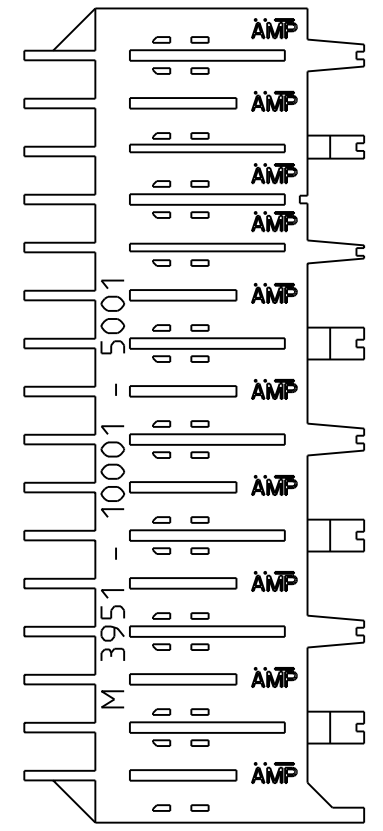
ECHELLE 1:1  
 PART NUMBER : 1-141720-3  
 MADE FROM : 141720-2  
 MARKING : M 3951-10001-5016  
 MARKING SIDE : LOGO AMP



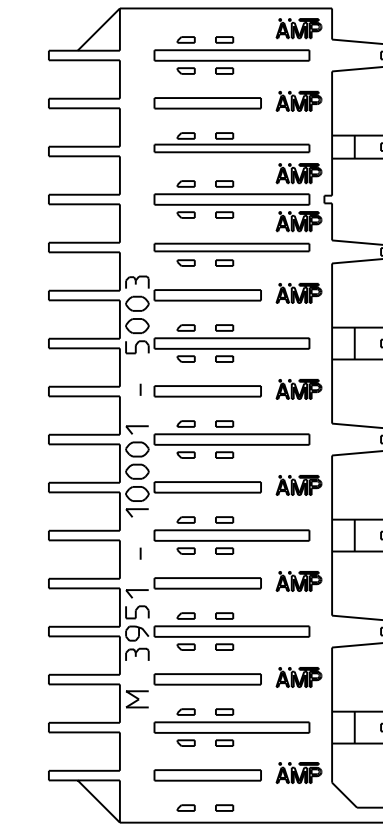
ECHELLE 1:1  
 PART NUMBER : 1-141720-5  
 MADE FROM : 141720-2  
 MARKING : M 3951-10000-5014  
 MARKING SIDE : NO LOGO AMP



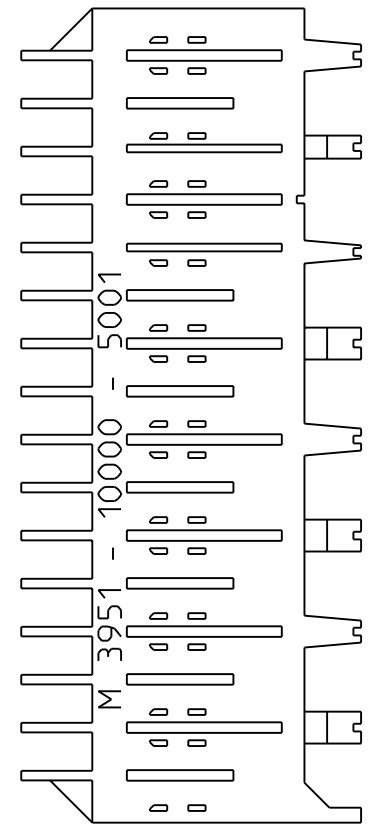
ECHELLE 1:1  
 PART NUMBER : 1-141720-7  
 MADE FROM : 141720-2  
 MARKING : M 3951-10000-5016  
 MARKING SIDE : NO LOGO AMP



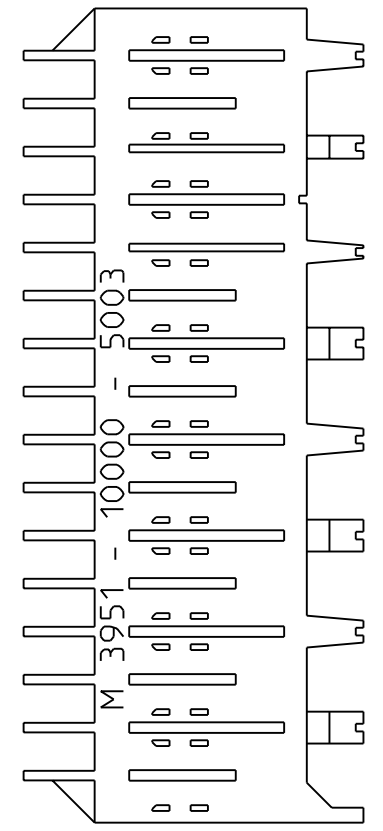
ECHELLE 1:1  
 PART NUMBER : 141720-4  
 MADE FROM : 141720-1  
 MARKING : M 3951-10001-5001  
 MARKING SIDE : LOGO AMP



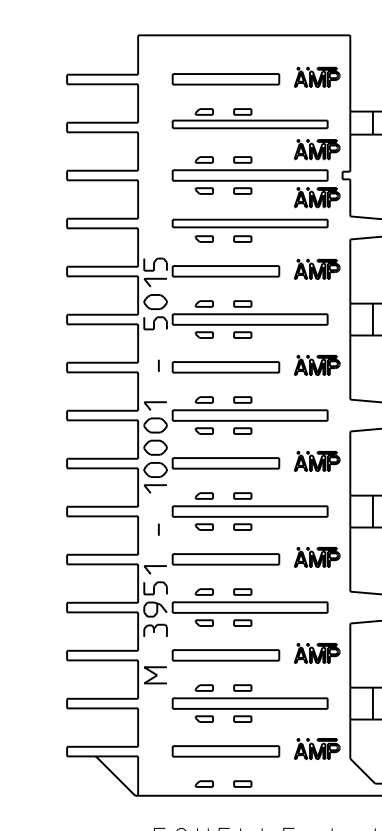
ECHELLE 1:1  
 PART NUMBER : 141720-6  
 MADE FROM : 141720-1  
 MARKING : M 3951-10001-5003  
 MARKING SIDE : LOGO AMP



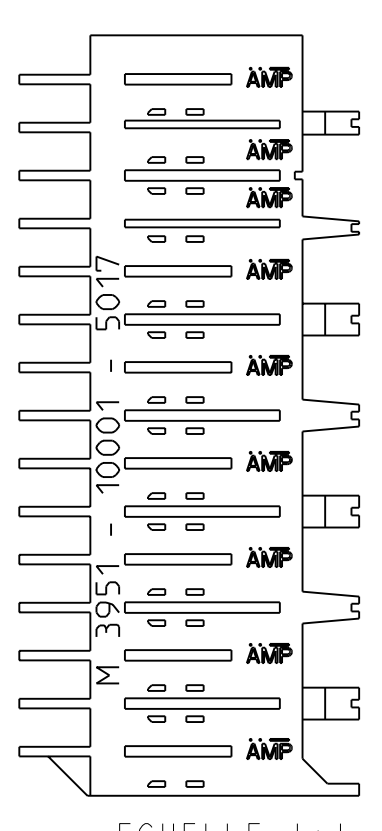
ECHELLE 1:1  
 PART NUMBER : 141720-8  
 MADE FROM : 141720-1  
 MARKING : M 3951-10000-5001  
 MARKING SIDE : NO LOGO AMP



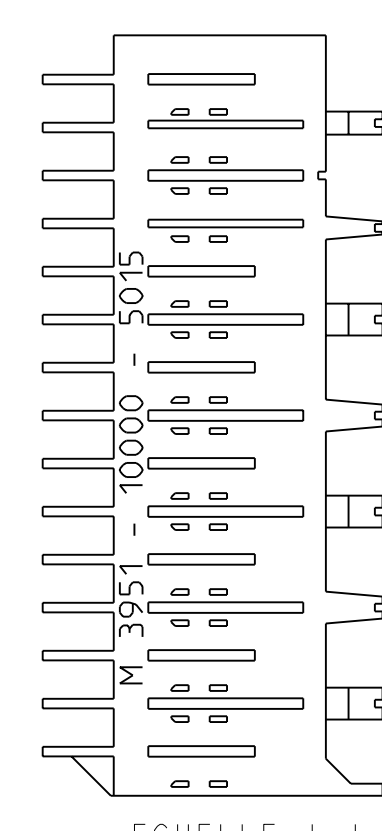
ECHELLE 1:1  
 PART NUMBER : 1-141720-0  
 MADE FROM : 141720-1  
 MARKING : M 3951-10000-5003  
 MARKING SIDE : NO LOGO AMP



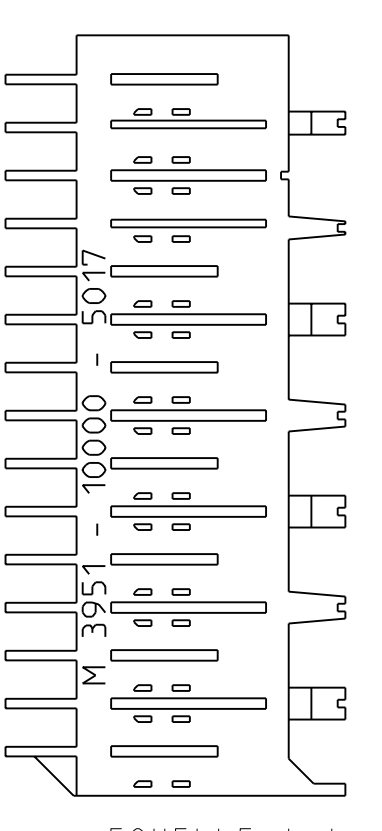
ECHELLE 1:1  
 PART NUMBER : 1-141720-2  
 MADE FROM : 141720-2  
 MARKING : M 3951-10001-5015  
 MARKING SIDE : LOGO AMP



ECHELLE 1:1  
 PART NUMBER : 1-141720-4  
 MADE FROM : 141720-2  
 MARKING : M 3951-10001-5017  
 MARKING SIDE : LOGO AMP



ECHELLE 1:1  
 PART NUMBER : 1-141720-6  
 MADE FROM : 141720-2  
 MARKING : M 3951-10000-5015  
 MARKING SIDE : NO LOGO AMP



ECHELLE 1:1  
 PART NUMBER : 1-141720-8  
 MADE FROM : 141720-2  
 MARKING : M 3951-10000-5017  
 MARKING SIDE : NO LOGO AMP

DIMENSIONS: mm 		TOLERANCES UNLESS OTHERWISE SPECIFIED: 9 PLC ± 2 PLC ±0.3 1 PLC ±0.1 5 PLC ±0.001 4 PLC ±0.0001 ANGLES ± FINISH -		DWN PRAVEEN K 2-MAR-06 CHK G ROBERT 2-MAR-06 APVD Y PETRONLIN 2-MAR-06 PRODUCT SPEC APPLICATION SPEC WEIGHT CUSTOMER DRAWING		Tyco Electronics AMP DE FRANCE 95301 PONTOISE NAME HOUSING 17 POS, SINGLE ROW 0.250 CENTERS FOR LOCKING-CLIP CONTACT 0.031x0.062 FOR PATCH BOARD SIZE CAGE CODE DRAWING NO RESTRICTED TO A100779C=141720 SCALE 1:1 SHEET 2 OF 2 REV B	
-----------------------	--	--	--	--	--	--	--