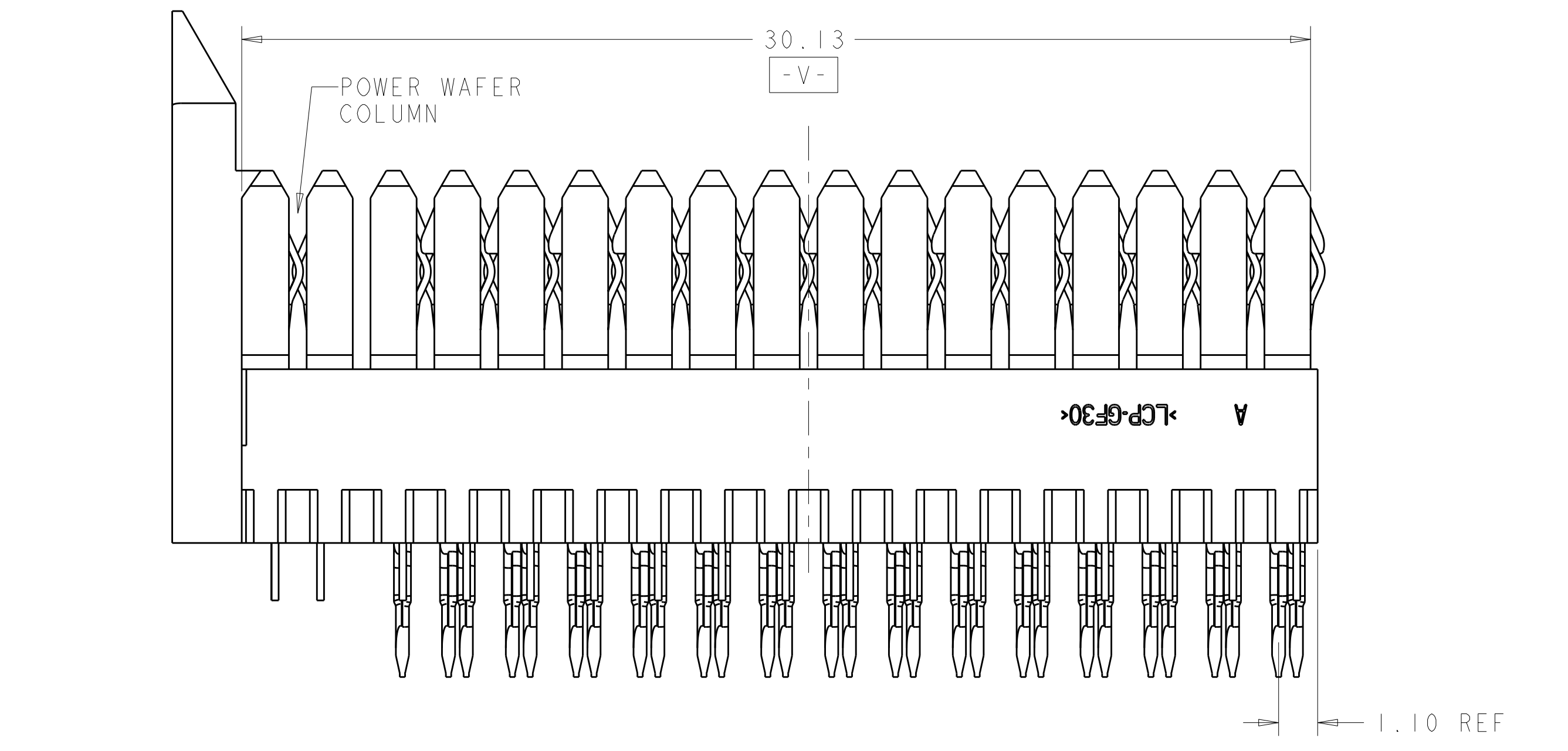
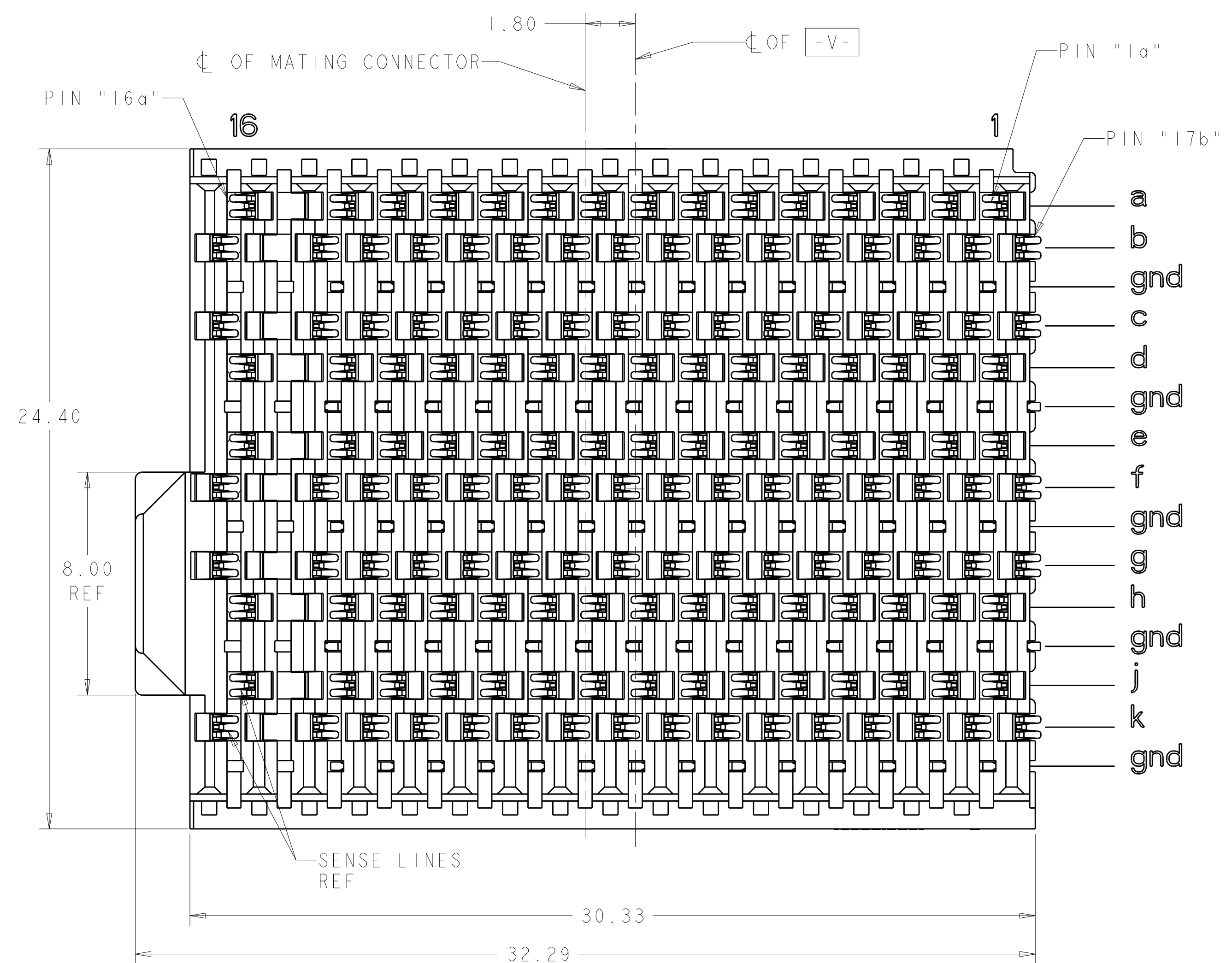
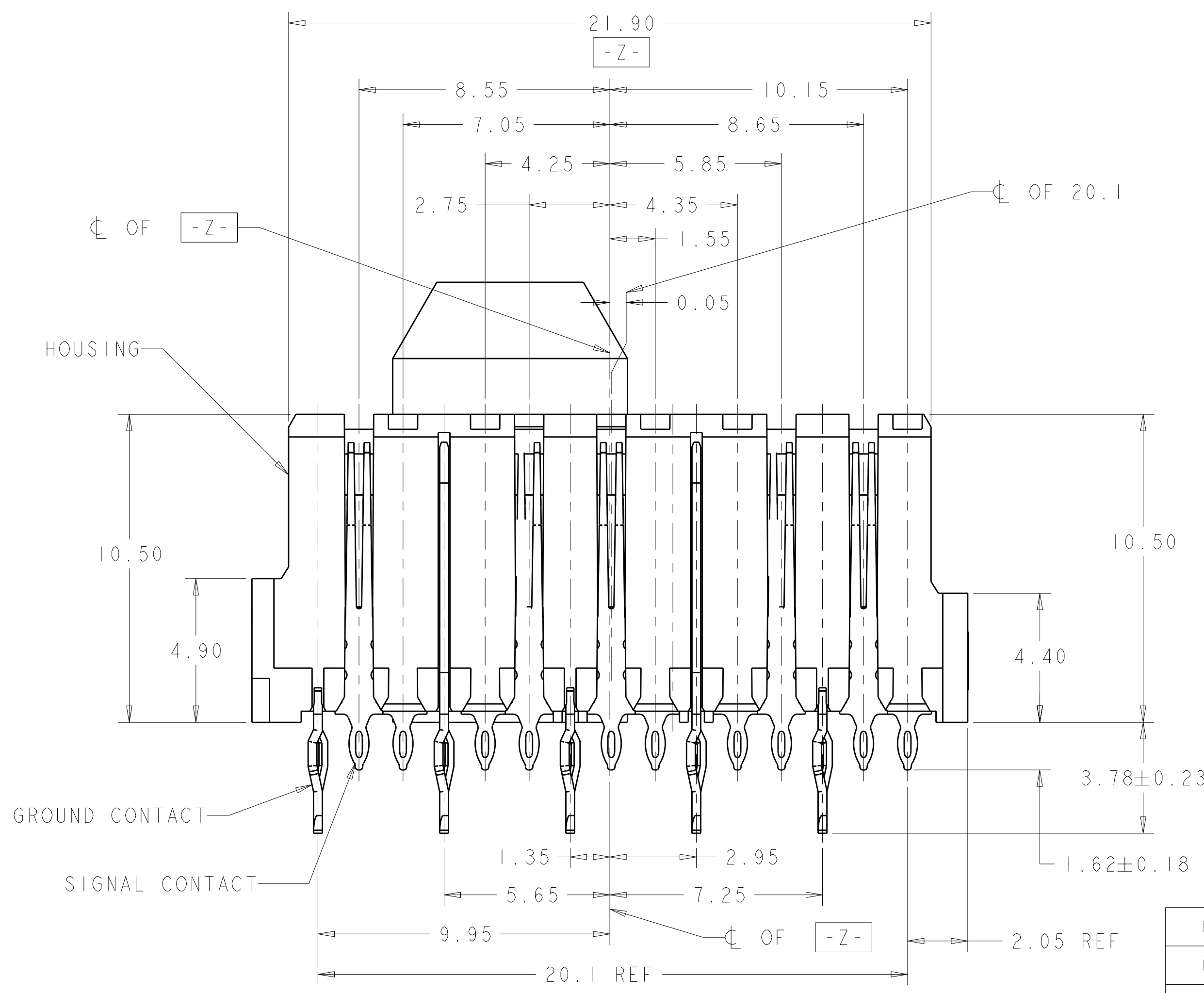


LOC	DIST	REV	DATE	BY	APPD
AD	00	B	25AUG2011	RG	AS
		BI	14MAR2012	BC	AS



- △ HOUSING: LCP, UL94V-0, BLACK. CONTACT: PHOSPHOR BRONZE.
- △ 1.27µm GOLD PER ASTM B 488 IN CONTACT AREA, 1.27µm MIN TIN-LEAD ON COMPLIANT PORTION OF PCB TAIL, BOTH OVER 3.81µm MIN NICKEL PER SAE AMS-QQ-N-290 ALL OVER.
- △ 1.27 µm GOLD PER ASTM B 488 IN CONTACT AREA , 0.508µm MIN MATTE TIN PER ASTM B 545 ON COMPLIANT PORTION OF PCB TAIL, BOTH OVER 3.81µm MIN NICKEL PER SAE AMS-QQ-N-290 ALL OVER.
- △ POWER PIN PAIRS INDICATED ARE COMMONED AT MATING.



1410479-2	△	1410480-2
1410479-1	△	1410480-1
MATES WITH	FINISH	PART NO

THIS DRAWING IS A CONTROLLED DOCUMENT.

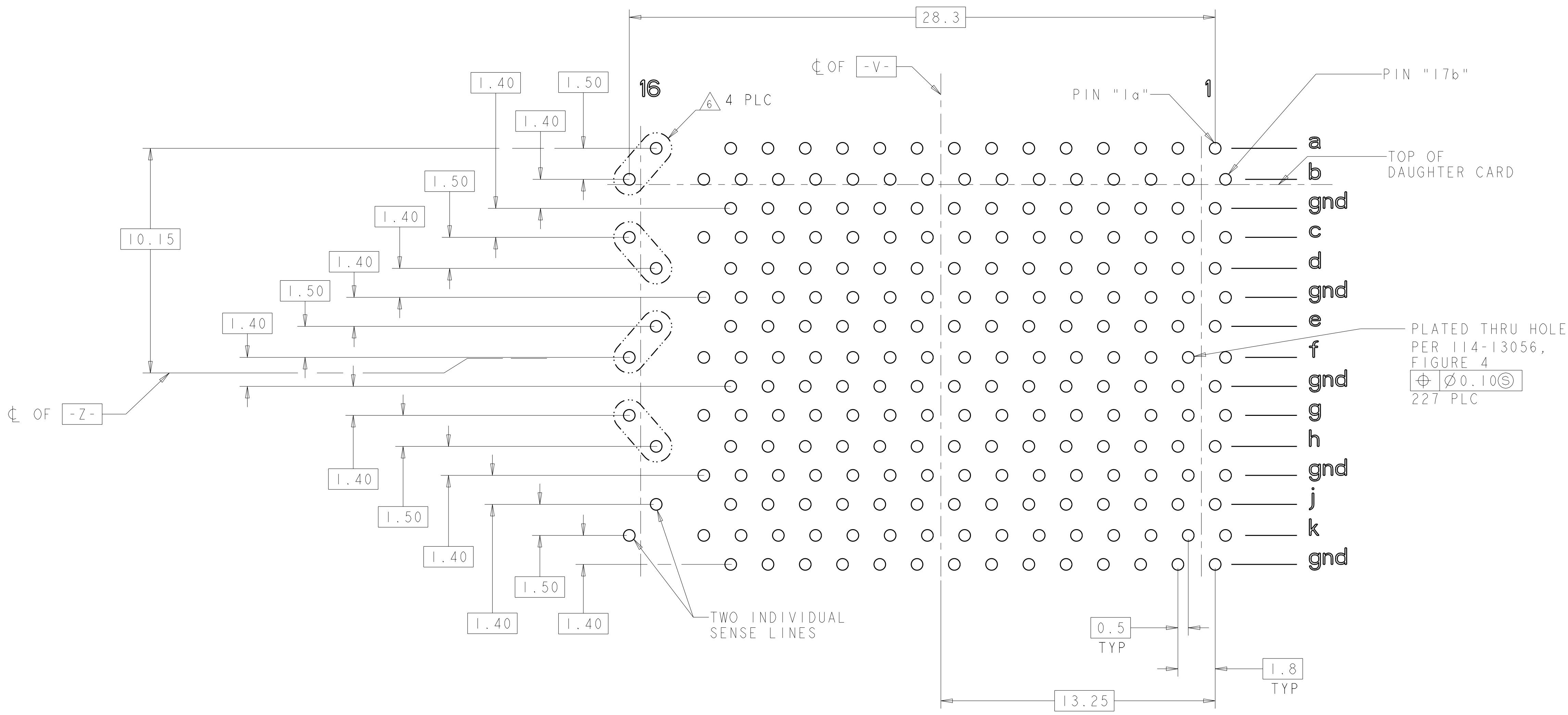
DATE: 28 JUL 2005
 CHK: G. GRIFFITH
 APPD: G. GRIFFITH

NAME: VERTICAL RECEPTACLE ASSEMBLY, RIGHT END, FULL, 25.4mm, POWER COMBINATION
 PRODUCT SPEC: MultiGig RT-1, BACKPLANE CONNECTOR

SIZE: 114-13056
 WEIGHT: -
 CUSTOMER DRAWING

SCALE: 5:1 SHEET 1 OF 2 REV: B1

LOC	DIST	REV	DATE	BY	APPD
AD	00				
DESCRIPTION			DATE	DWN	APPD
SEE SHEET 1					



PC BOARD LAYOUT
 VIEWED FROM CONNECTOR SIDE

THIS DRAWING IS A CONTROLLED DOCUMENT.		DWN HAMNER	28JUL2005	TE Connectivity										
DIMENSIONS: mm		CHK G. GRIFFITH	28JUL2005											
TOLERANCES UNLESS OTHERWISE SPECIFIED:		APPD G. GRIFFITH	28JUL2005	NAME VERTICAL RECEPTACLE ASSEMBLY, RIGHT END, FULL, 25.4mm, POWER COMBINATION										
<table border="1"> <tr> <td>9 PLC</td> <td>±</td> </tr> <tr> <td>8 PLC</td> <td>±0.5</td> </tr> <tr> <td>5 PLC</td> <td>±0.01</td> </tr> <tr> <td>4 PLC</td> <td>±</td> </tr> <tr> <td>ANGLES</td> <td>±1°</td> </tr> </table>		9 PLC	±	8 PLC	±0.5	5 PLC	±0.01	4 PLC	±	ANGLES	±1°	PRODUCT SPEC 108-2072	APPLICATION SPEC 114-13056	SIZE A100779
9 PLC	±													
8 PLC	±0.5													
5 PLC	±0.01													
4 PLC	±													
ANGLES	±1°													
MATERIAL: -		FINISH: -	WEIGHT: -	DRAWING NO C=1410480										
CUSTOMER DRAWING		SCALE: 8:1		SHEET 2 OF 2										