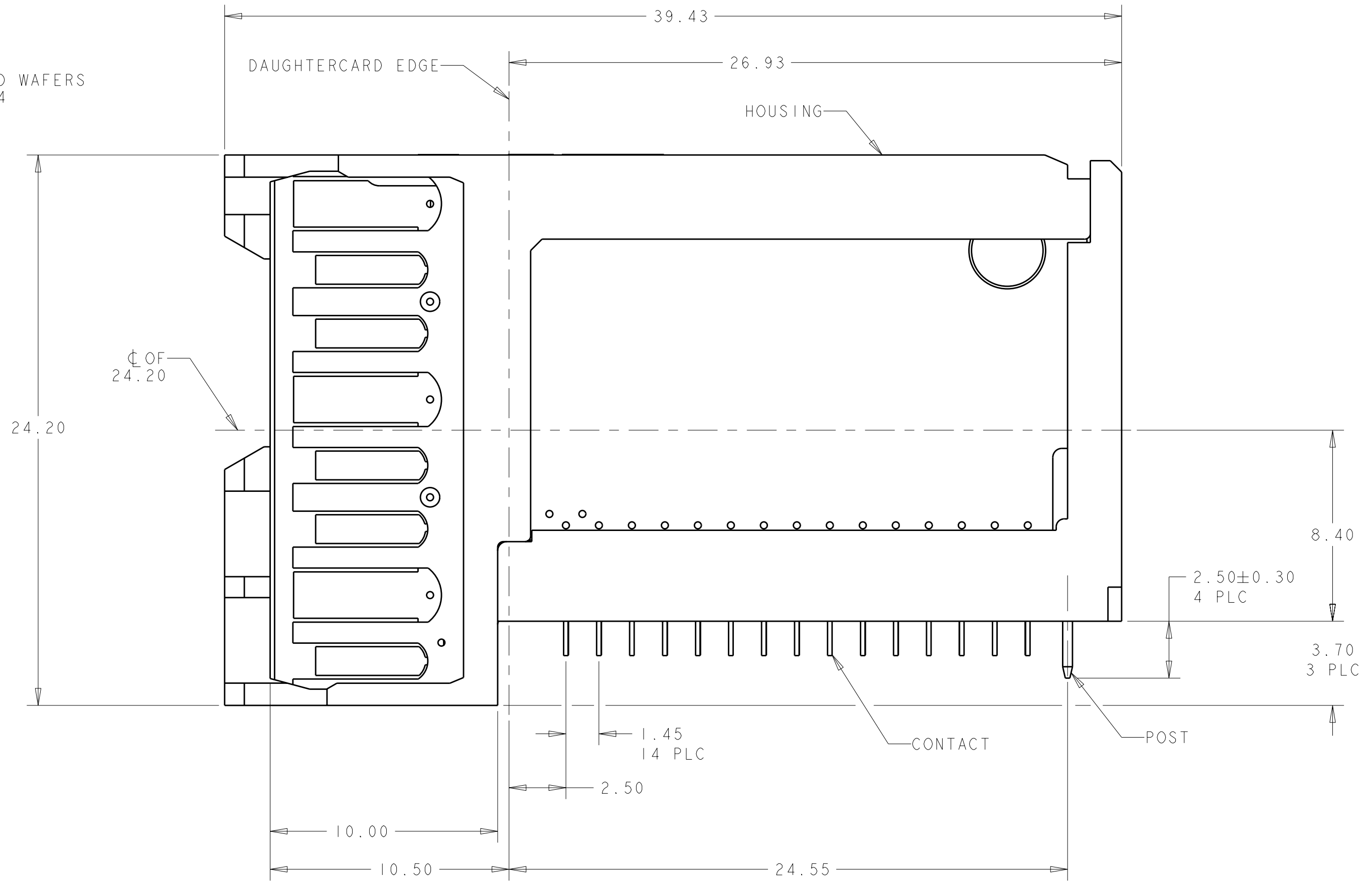
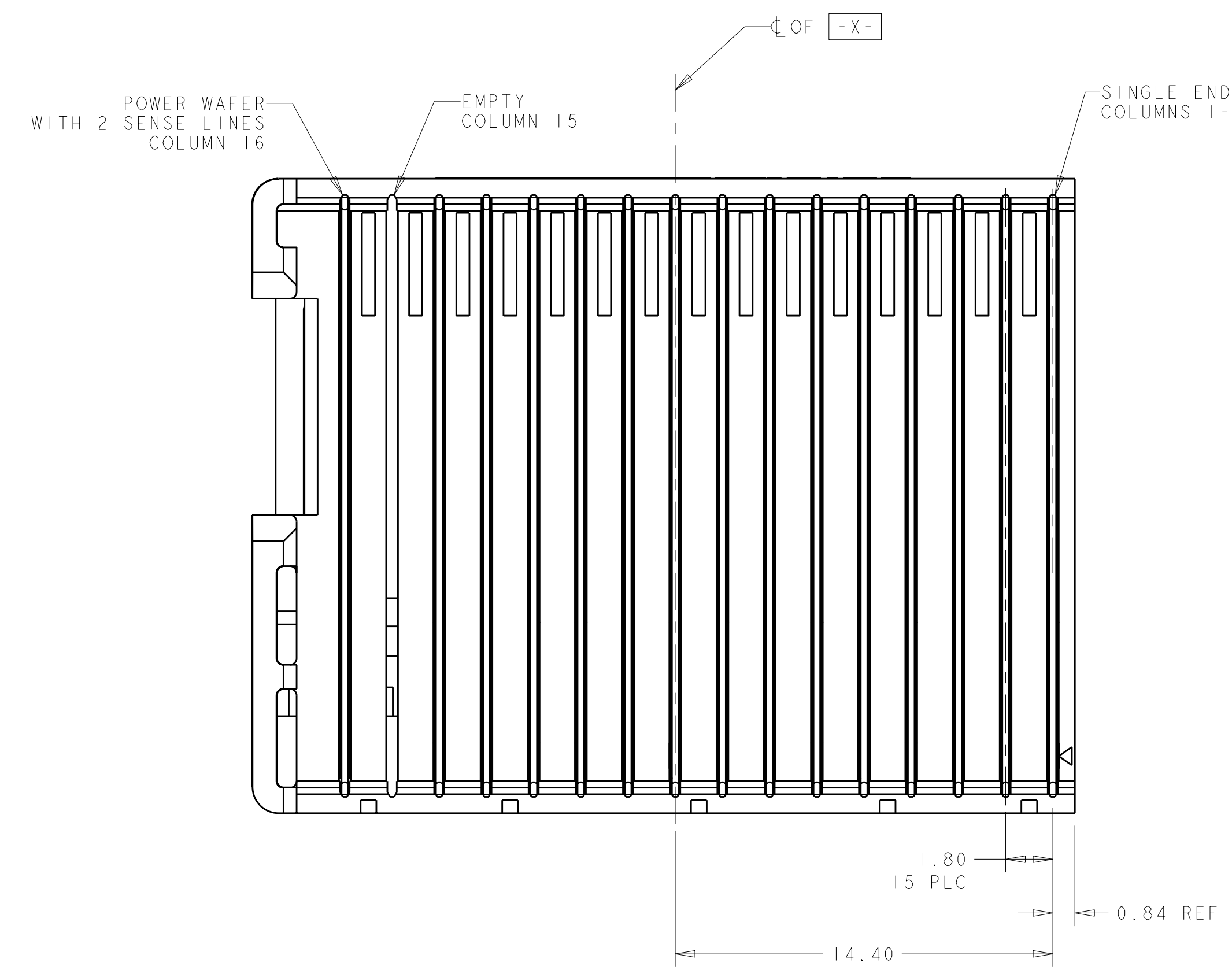
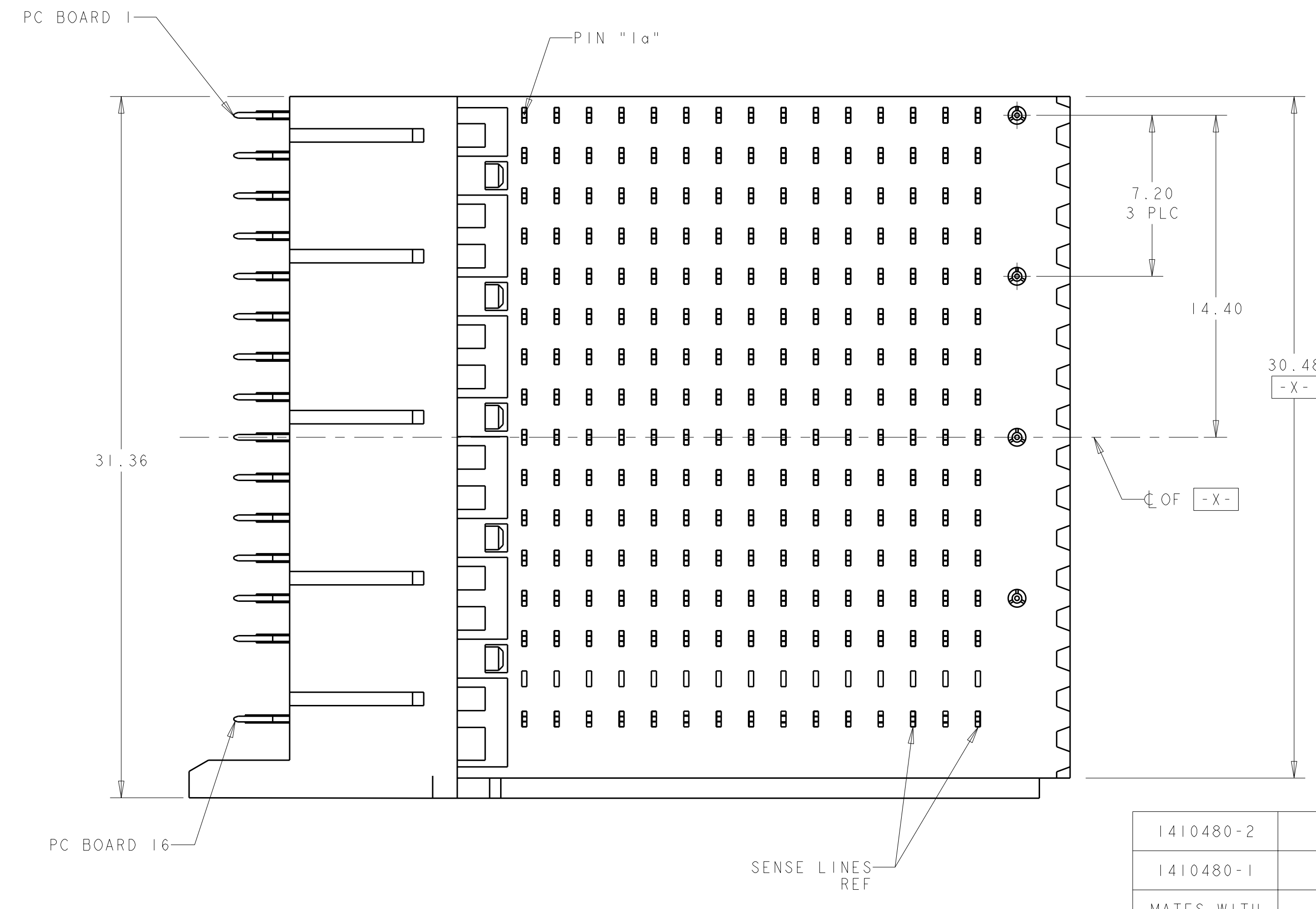
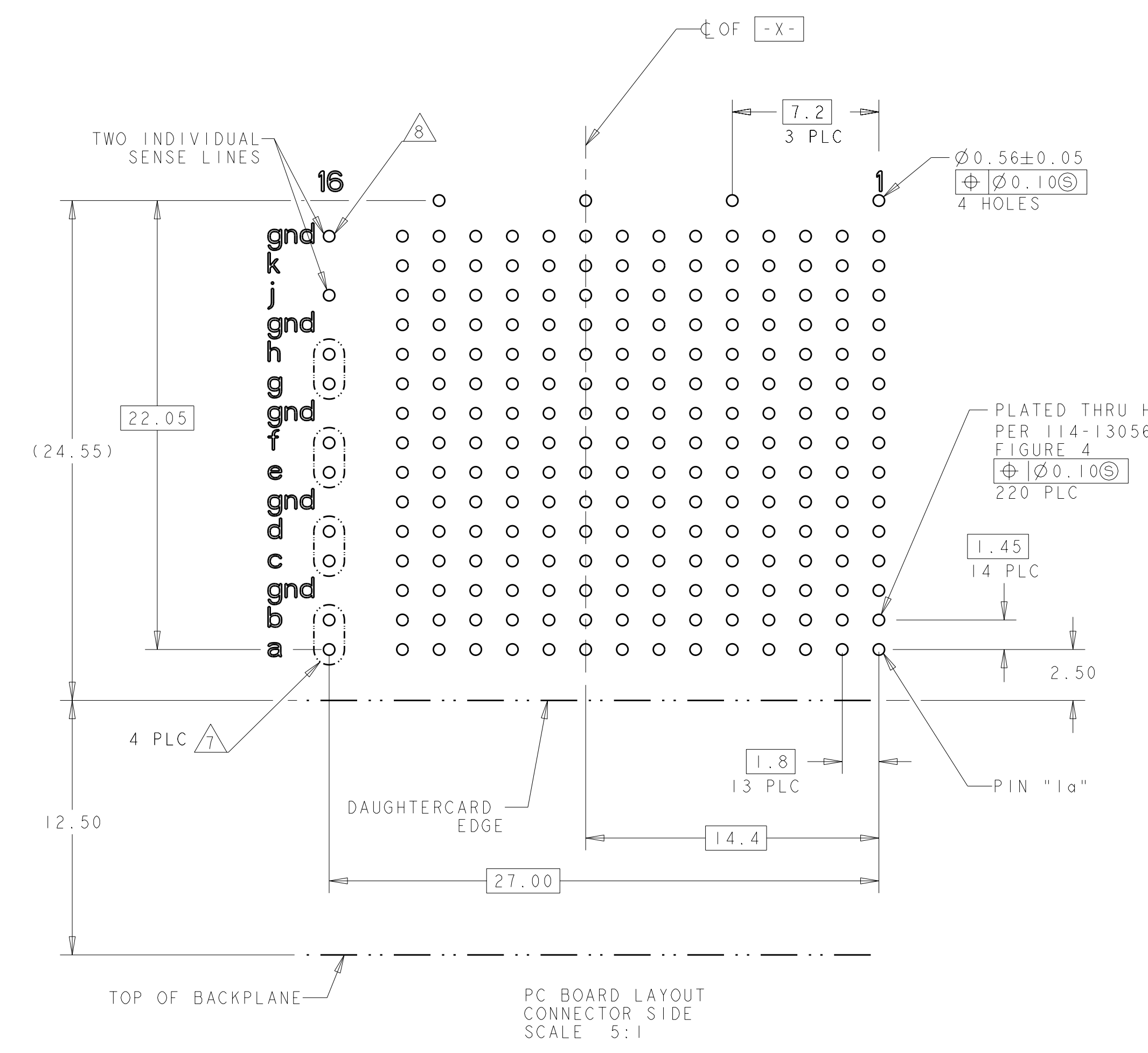


LOC	DIST	REVISIONS					
AD	00	P	LTB	DESCRIPTION	DATE	DWN	APVD
		A		RELEASED	03AUG2005	REH	GG
		A1		REV PER ECO-12-003447	14MAR2012	BC	AS



- 1 HOUSING: LCP, UL94V-0, BLACK.
CONTACT: PHOSPHOR BRONZE.
POST: BRASS WIRE.
- 2 CONTACT: 0.76µm GOLD PER ASTM B 488 IN CONTACT AREA, 1.27µm MIN TIN-LEAD ON COMPLIANT PORTION OF PCB TAIL, BOTH OVER 1.27µm MIN NICKEL PER SAE AMS-QQ-N-290 ALL OVER.
POST: 1.27µm MIN NICKEL.
- 4 CONTACT: 0.76µm GOLD PER ASTM B 488 IN CONTACT AREA, 0.508µm MIN MATTE TIN PER ASTM B 545 ON COMPLIANT PORTION OF PCB TAIL, BOTH OVER 1.27µm MIN NICKEL PER SAE AMS-QQ-N-290 ALL OVER.
POST: 1.27µm MIN NICKEL.
- 6. MATING SEQUENCE: POWER & GROUNDS ARE LEVEL 3, SIGNALS ARE LEVEL 2, AND TWO SENSE LINES ARE LEVEL 1.
- 7 POWER PIN PAIRS INDICATED ARE COMMONED INSIDE ASSEMBLY.
- 8 PIN INDICATED CONNECTS TO PIN K-16 ON BACKPLANE CONNECTOR.



MATES WITH	FINISH	DESCRIPTION	PART NO
1410480-2	4	14 SINGLE ENDED WAFERS AND 1 48V POWER WAFER	1410479-2
1410480-1	2	14 SINGLE ENDED WAFERS AND 1 48V POWER WAFER	1410479-1

THIS DRAWING IS A CONTROLLED DOCUMENT.

DIMENSIONS: mm	TOLERANCES UNLESS OTHERWISE SPECIFIED:	DWN HAMNER 03AUG2005	CHK G. GRIFFITH 03AUG2005	APVD G. GRIFFITH 03AUG2005	NAME
0 PLC ±	1 PLC ±0.13	G. GRIFFITH			RIGHT ANGLE, PLUG ASS'Y, RIGHT END
3 PLC ±0.013	4 PLC ±	PRODUCT SPEC			FULL, 25.4mm, POWER COMBINATION
ANGLES ±1°	FINISH	APPLICATION SPEC			MultiGig RT 1, DAUGHTERCARD CONNECTOR
MATERIAL	FINISH	114-13056	SIZE	CAGE CODE	DRAWING NO
		WEIGHT	A100779	C=1410479	RESTRICTED TO
		CUSTOMER DRAWING	SCALE	6:1	SHEET 1 OF 1 REV A1

STE TE Connectivity